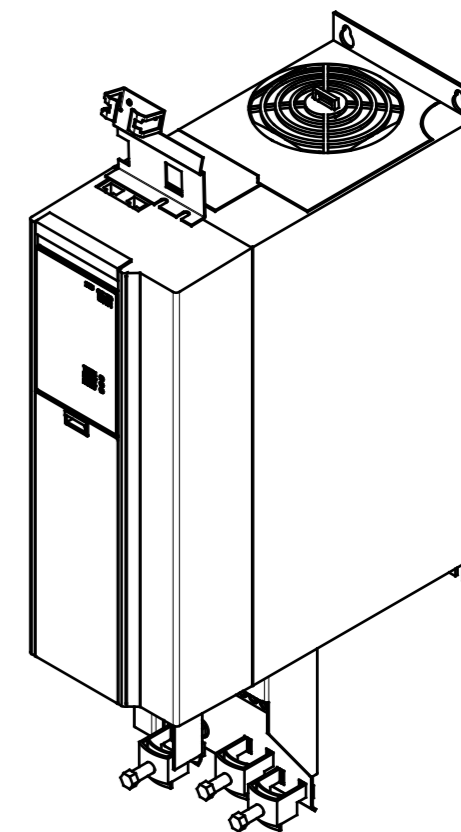
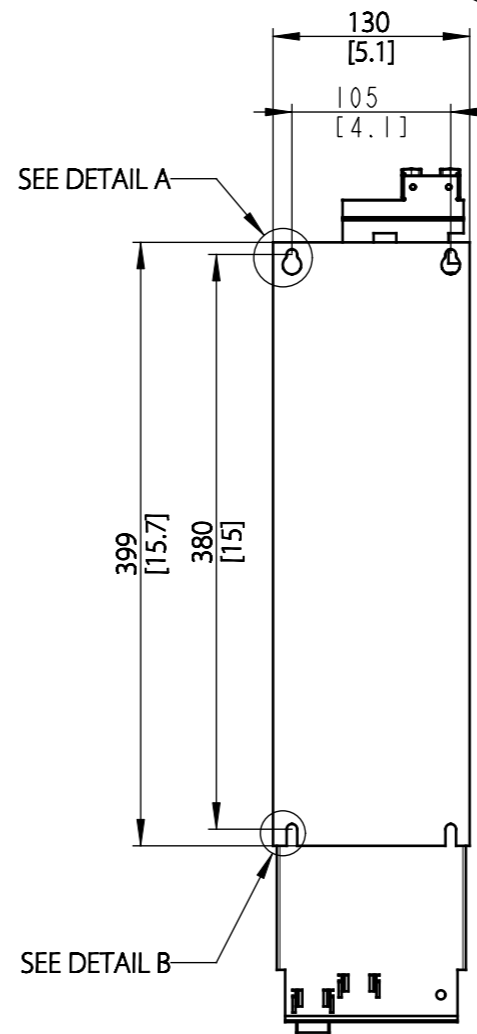
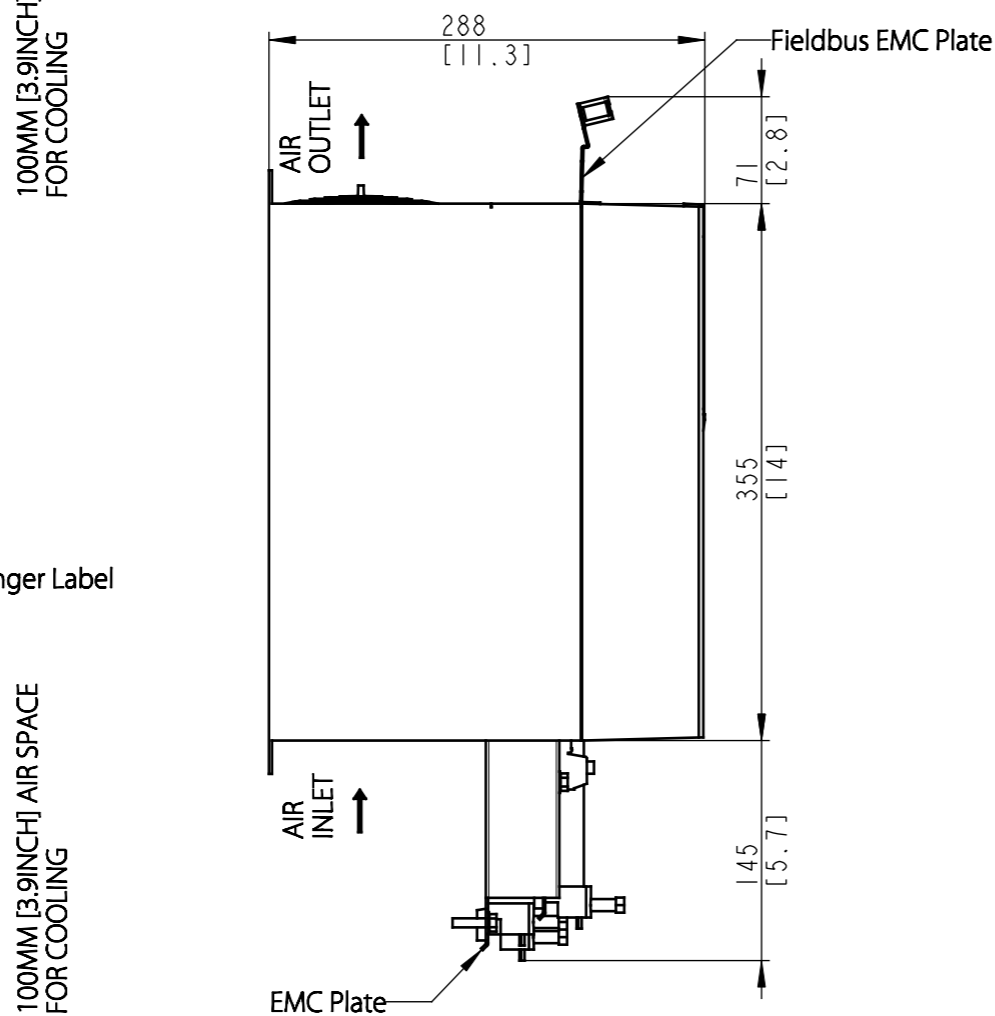
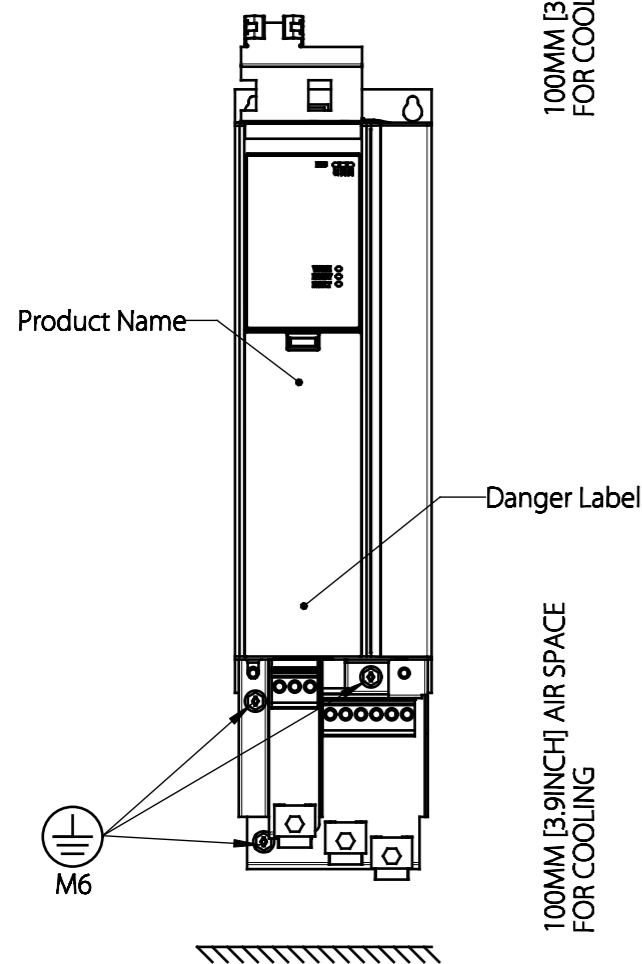
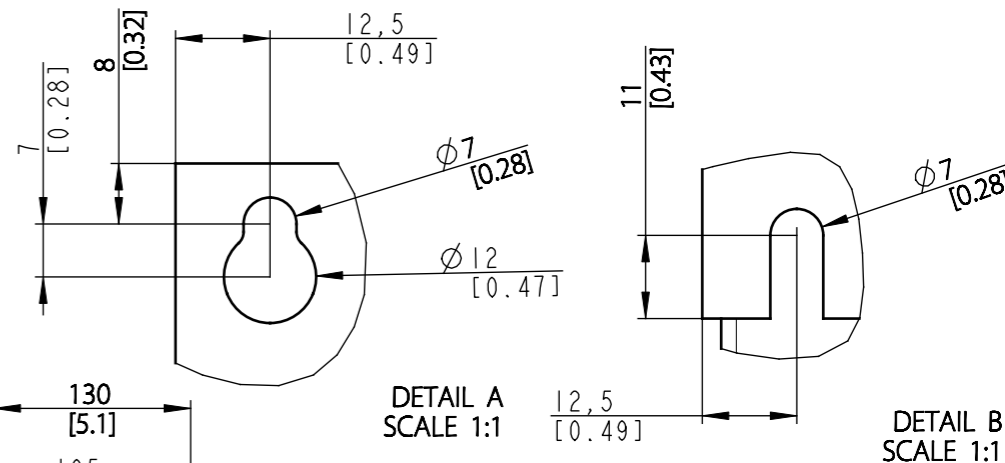
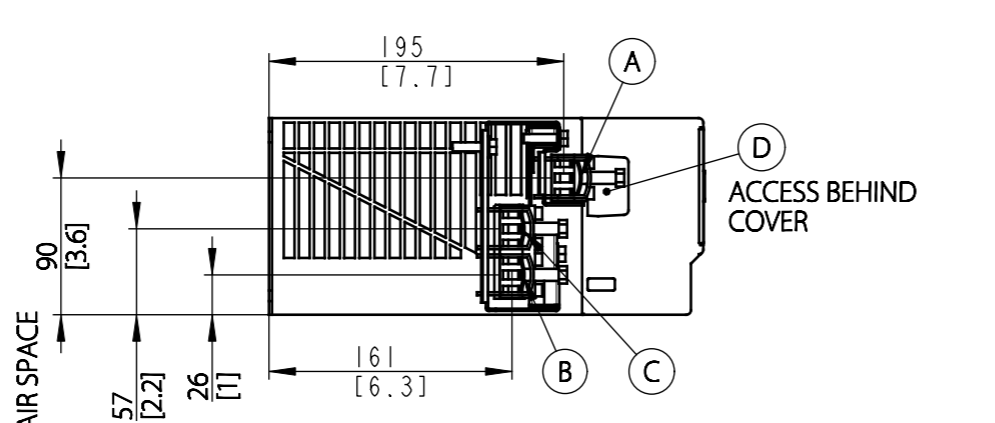


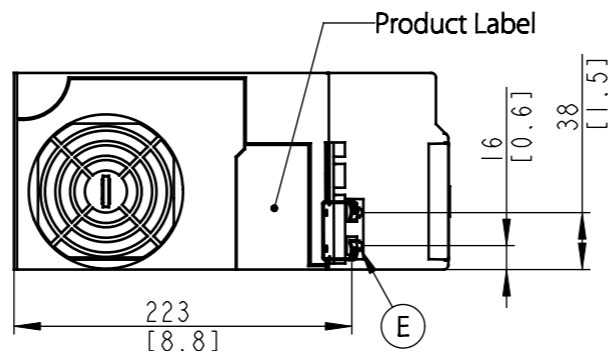
Type	Value
Max Weight	11.6 kg / 25.5 lb
IP Class	IP20
UL Type	Open

A
B
C
D
E
F

A
B
C
D
E
F



Position of connectors	
A	Line
B	Motor
C	Brake / DC
D	Interface X0
E	Interface X1/X2



THIS DRAWING SHOWS THE MOST COMMON VERSION OF THIS PRODUCT VARIANT. SMALL DIFFERENCES MAY OCCUR DEPENDING ON THE FINAL PRODUCT CONFIGURATION.

CENTER OF GRAVITY: FOR REFERENCE ONLY, THE PRODUCT CONFIGURATION MAY INFLUENCE THE CG IN ALL THREE AXES.

UNLESS OTHERWISE SPECIFIED THE TOLERANCE IS ± 1 MM [0.4 INCH]. ALL DIMENSIONS ARE IN MILLIMETERS [INCH]		FIRST ANGLE PROJECTION	SCALE 1:5	DRAWING SIZE A3	MATERIAL
					FINISH
					DESCRIPTION
CHANGED					MCAD_FA04b_IP20
DESIGNED	Danfoss 2020-09-11				
CHECKED		PROPERTY OF DANFOSS A/S NORDBORG, DENMARK. TWO OR THREE DIMENSIONAL REPRODUCTION OF CONTENTS TO BE AUTHORIZED BY DANFOSS A/S.			DRAWING NUMBER
					MCAD_FA04B_IP20
					REV 001
					MODEL
					MCAD_FA04B_IP20
					SHEET 1 OF 1

1 2 3 4 5 6 7 8