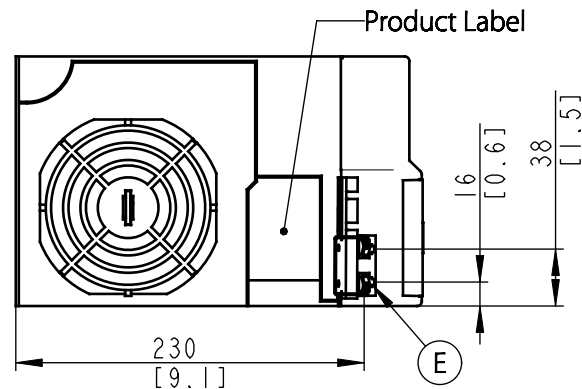
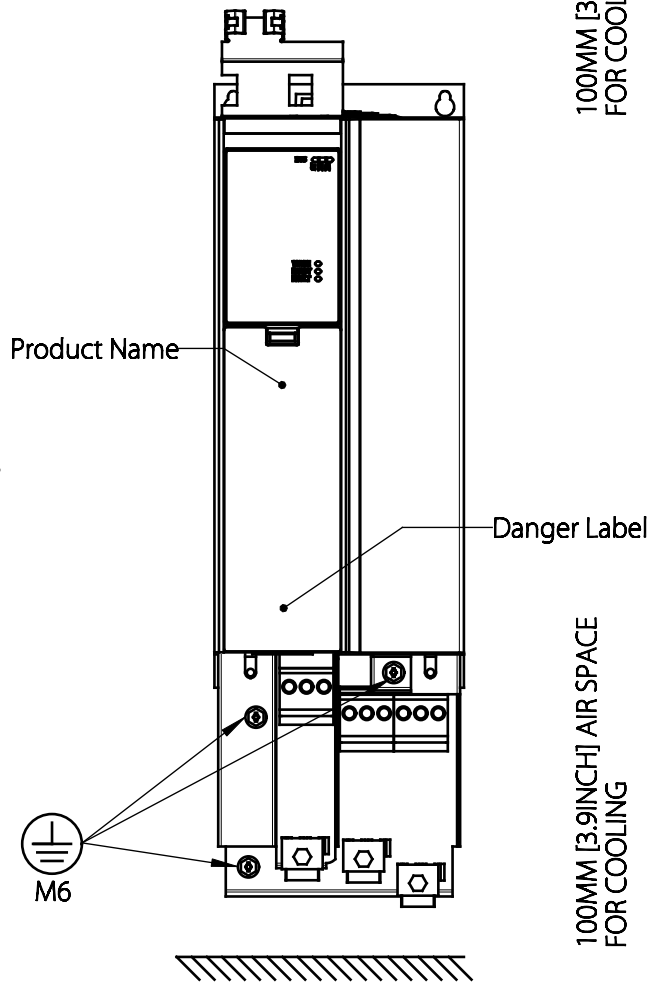
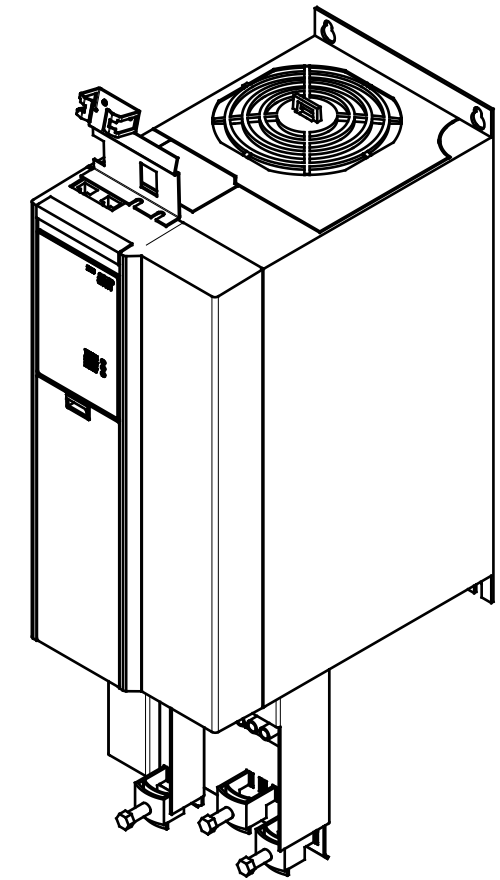
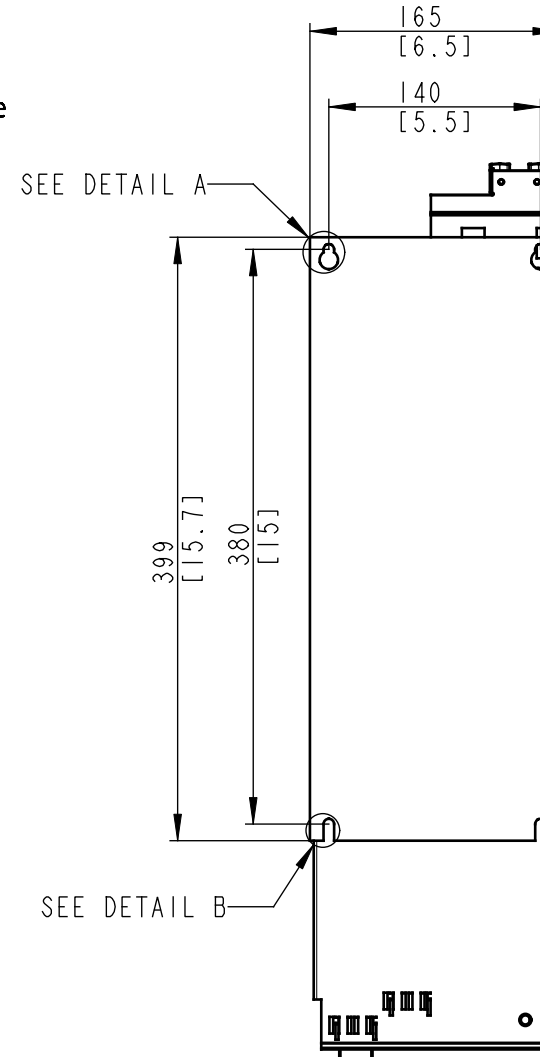
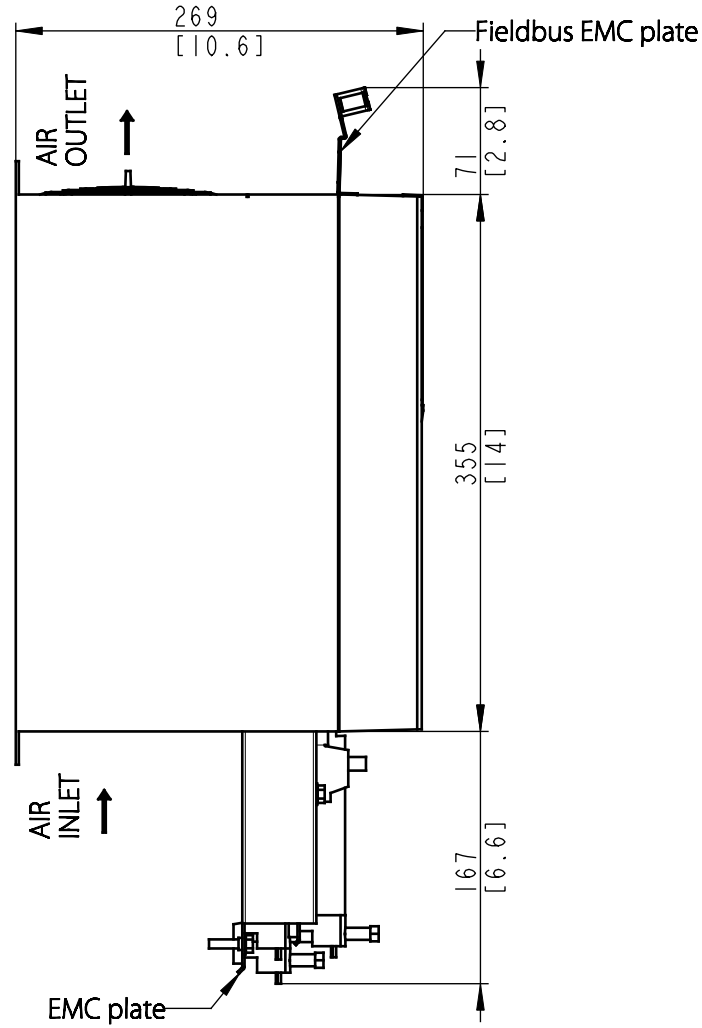
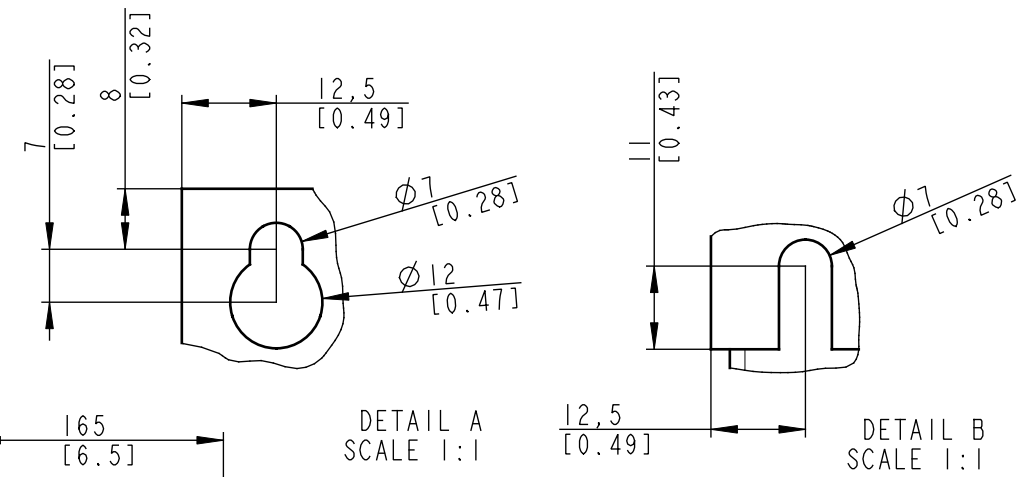
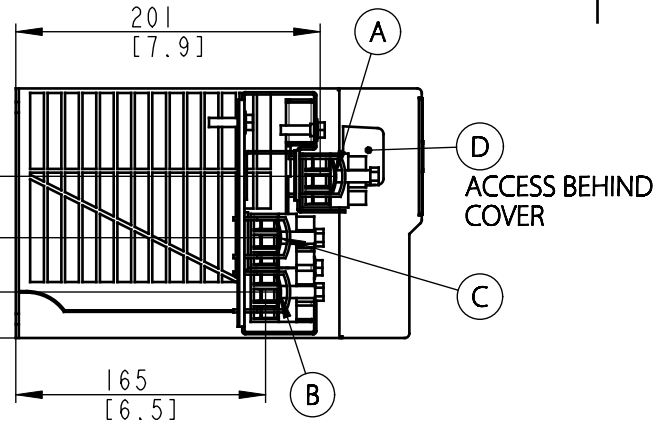


Type	Value
Max Weight	13.6 kg / 30.0 lb
IP Class	IP20
UL Type	Open



Position of connectors	
A	Line
B	Motor
C	Brake / DC
D	Interface X0
E	Interface X1/X2

UNLESS OTHERWISE SPECIFIED THE TOLERANCE IS ± 1 MM [0.4 INCH]. ALL DIMENSIONS ARE IN MILLIMETERS [INCH]			FIRST ANGLE PROJECTION	SCALE	DRAWING SIZE	MATERIAL
				1:5	A3	
			FINISH			
			DESCRIPTION			
			MCAD_FA05a_IP20			
CHANGED						
DESIGNED	Danfoss	2020-09-11				
CHECKED						
PROPERTY OF DANFOSS A/S NORDBOG, DENMARK. TWO OR THREE DIMENSIONAL REPRODUCTION OF CONTENTS TO BE AUTHORIZED BY DANFOSS A/S.			DRAWING NUMBER		REV	
			MCAD_FA05A_IP20		001	
			MODEL		SHEET	
			MCAD_FA05A_IP20		1 OF 1	

THIS DRAWING SHOWS THE MOST COMMON VERSION OF THIS PRODUCT VARIANT. SMALL DIFFERENCES MAY OCCUR DEPENDING ON THE FINAL PRODUCT CONFIGURATION.

CENTER OF GRAVITY: FOR REFERENCE ONLY, THE PRODUCT CONFIGURATION MAY INFLUENCE THE CG IN ALL THREE AXES.