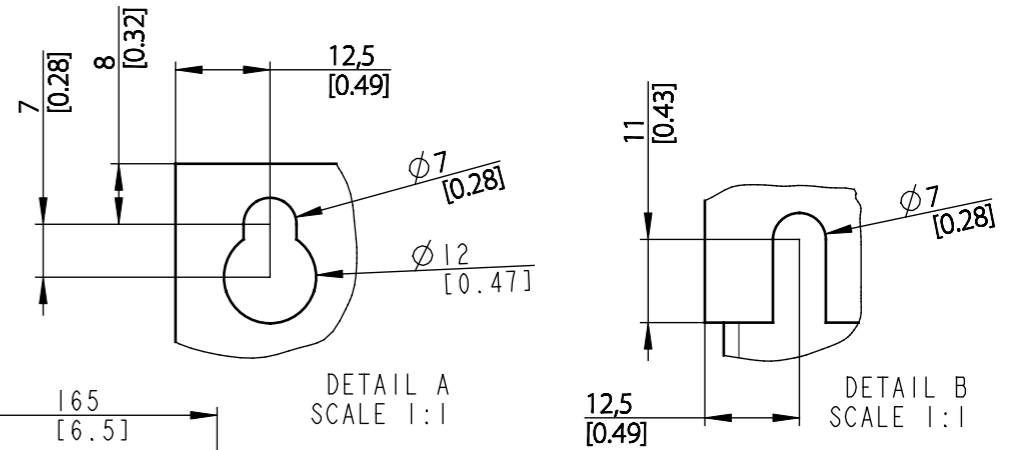
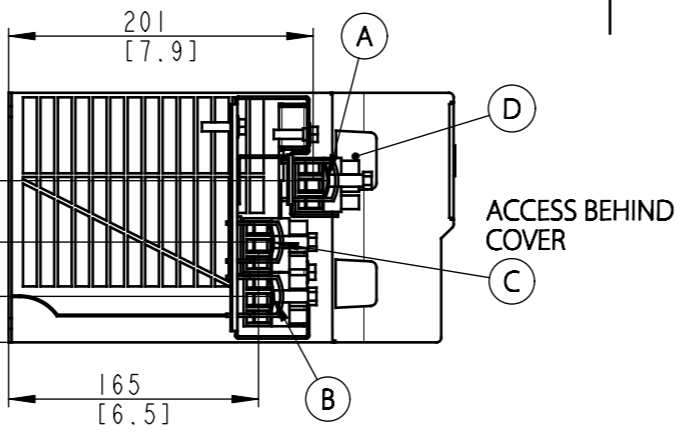
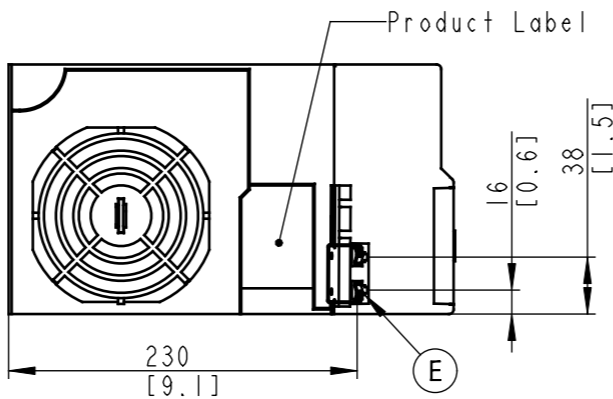
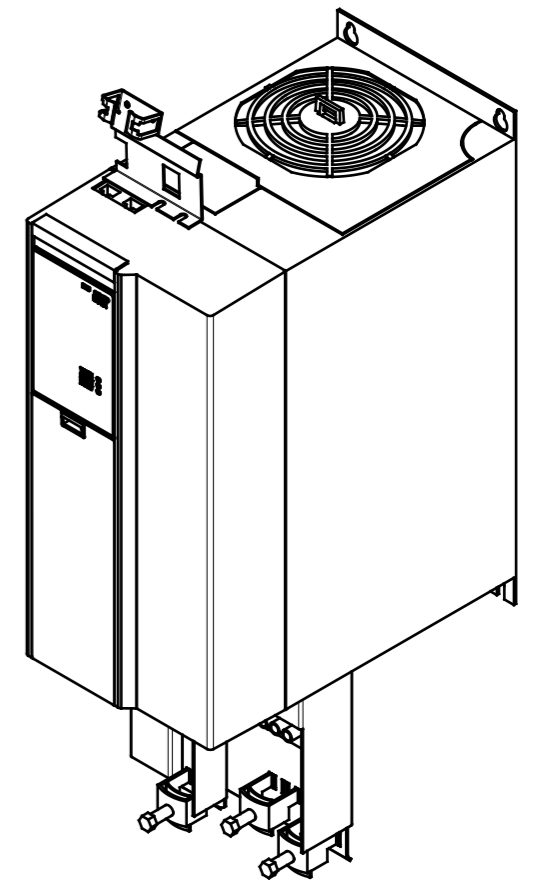
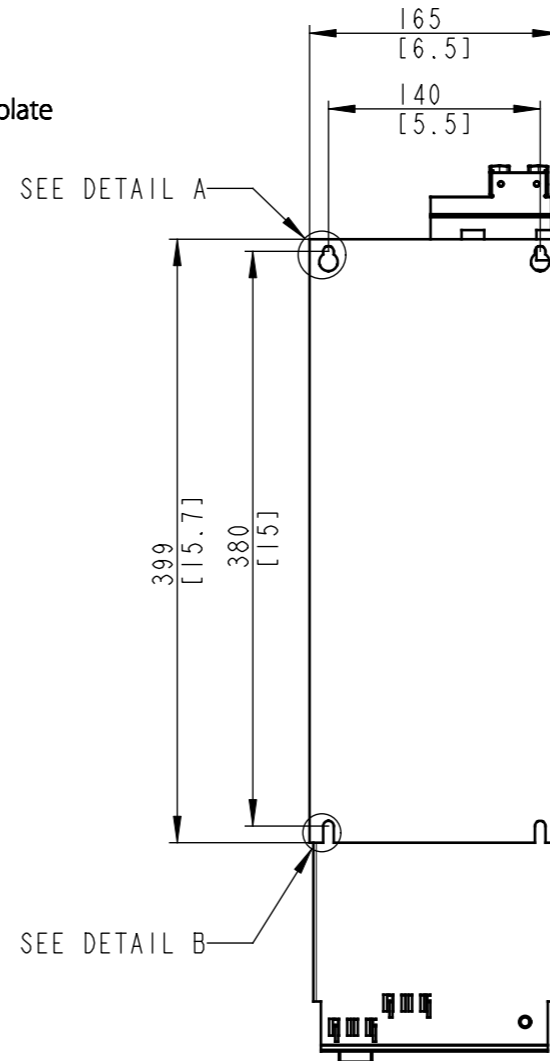
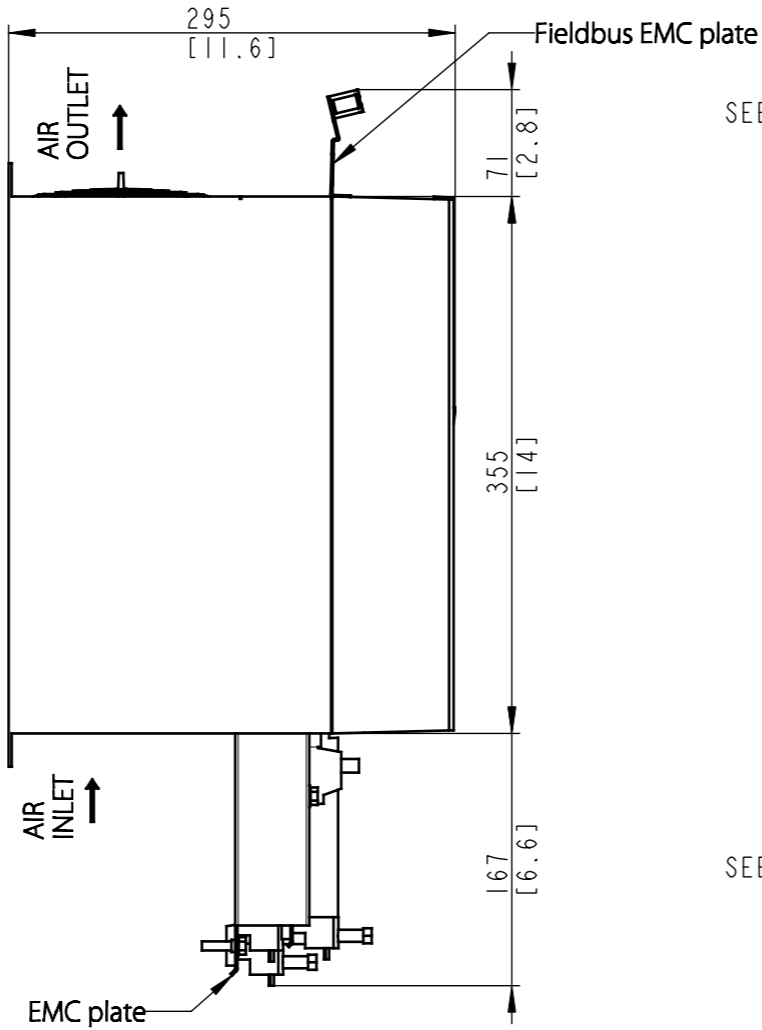
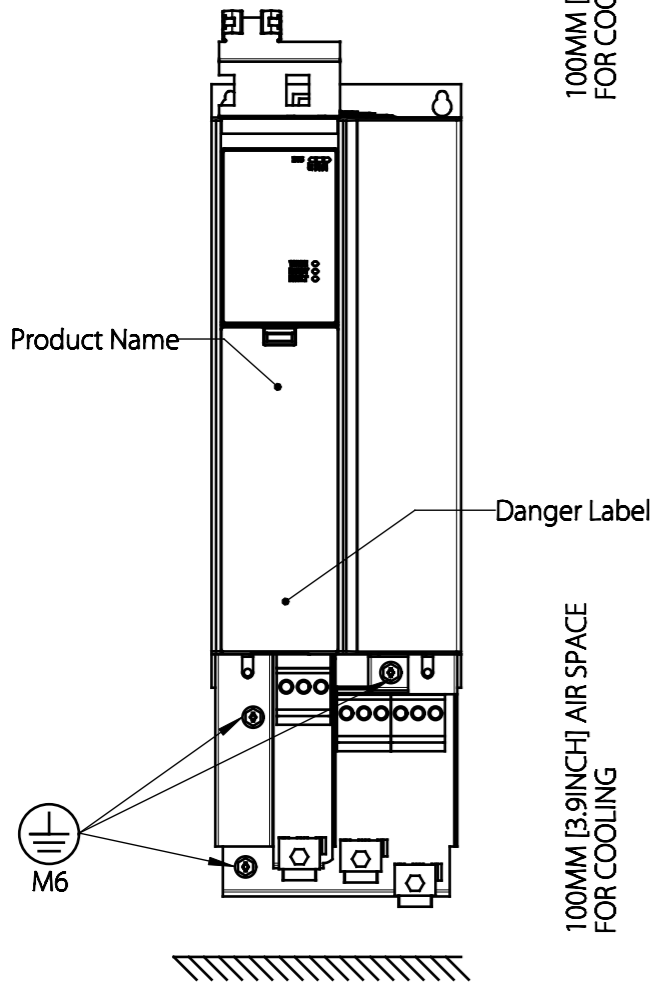


Type	Value
Max Weight	14.1 kg / 31.1 lb
IP Class	IP20
UL Type	Open



100MM [3.9INCH] AIR SPACE FOR COOLING

100MM [3.9INCH] AIR SPACE FOR COOLING



Position of connectors	
A	Line
B	Motor
C	Brake / DC
D	Interface X0
E	Interface X1/X2

UNLESS OTHERWISE SPECIFIED THE TOLERANCE IS $\pm 1$ MM [0.4 INCH]. ALL DIMENSIONS ARE IN MILLIMETERS [INCH]			FIRST ANGLE PROJECTION	SCALE	DRAWING SIZE	MATERIAL	
				1:5	A3		
CHANGED			DESCRIPTION MCAD_FA05b_IP20				
DESIGNED	Danfoss	2020-09-11					
CHECKED							
PROPERTY OF DANFOSS A/S NORDBOG, DENMARK. TWO OR THREE DIMENSIONAL REPRODUCTION OF CONTENTS TO BE AUTHORIZED BY DANFOSS A/S.						DRAWING NUMBER	REV
						MCAD_FA05B_IP20	001
						MODEL	SHEET
						MCAD_FA05B_IP20	1 OF 1

THIS DRAWING SHOWS THE MOST COMMON VERSION OF THIS PRODUCT VARIANT. SMALL DIFFERENCES MAY OCCUR DEPENDING ON THE FINAL PRODUCT CONFIGURATION.

CENTER OF GRAVITY: FOR REFERENCE ONLY, THE PRODUCT CONFIGURATION MAY INFLUENCE THE CG IN ALL THREE AXES.