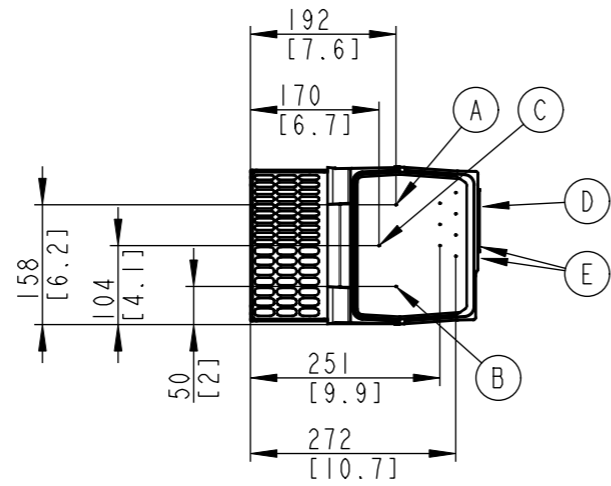
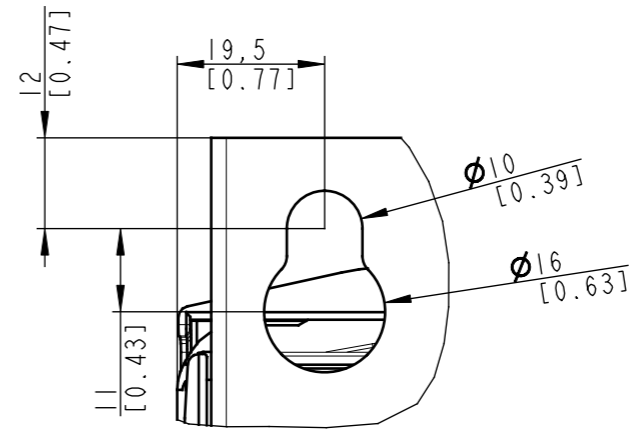


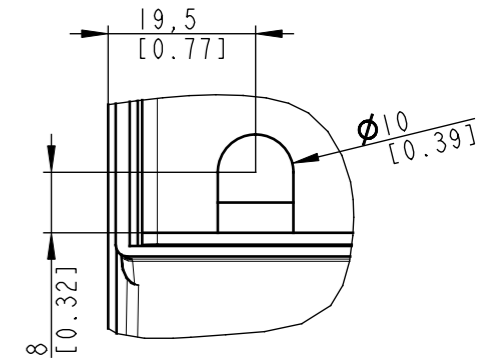
Type	Value
Max Weight	28kg / 61lb
IP Class	IP21
UL Type	Type I



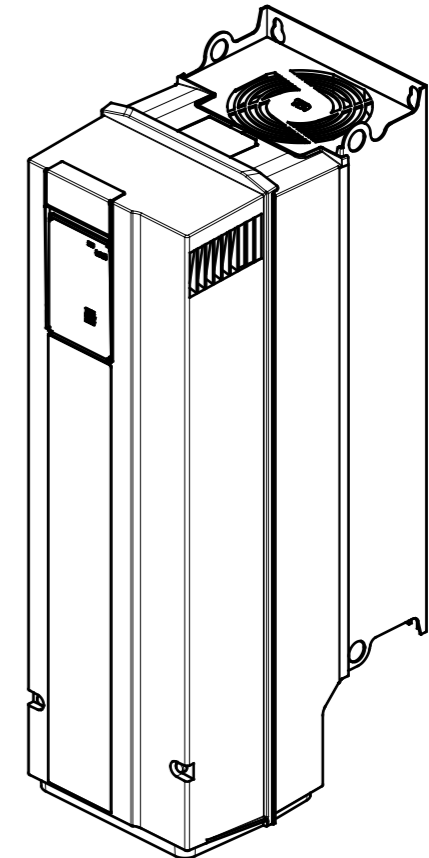
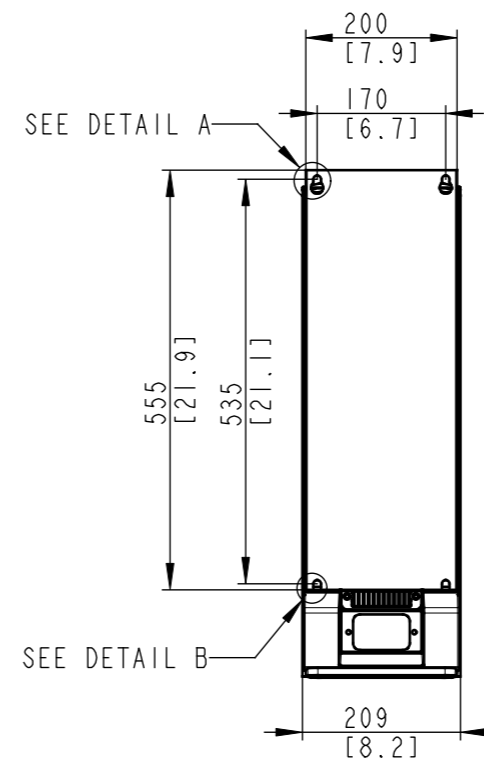
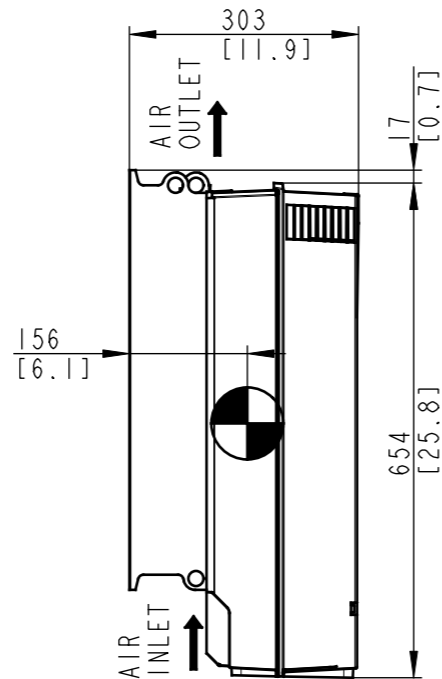
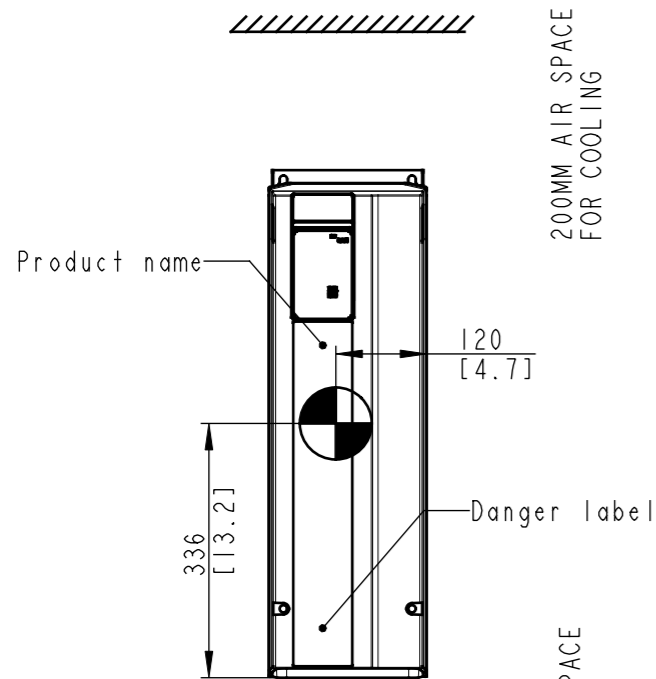
SEE PAGE 2 FOR DETAILS



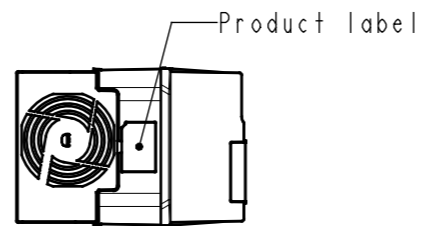
DETAIL A
SCALE 1:1



DETAIL B
SCALE 1:1



Position of connectors	
A	Line
B	Motor
C	Brake / DC
D	Interface X0
E	Interface X1/X2

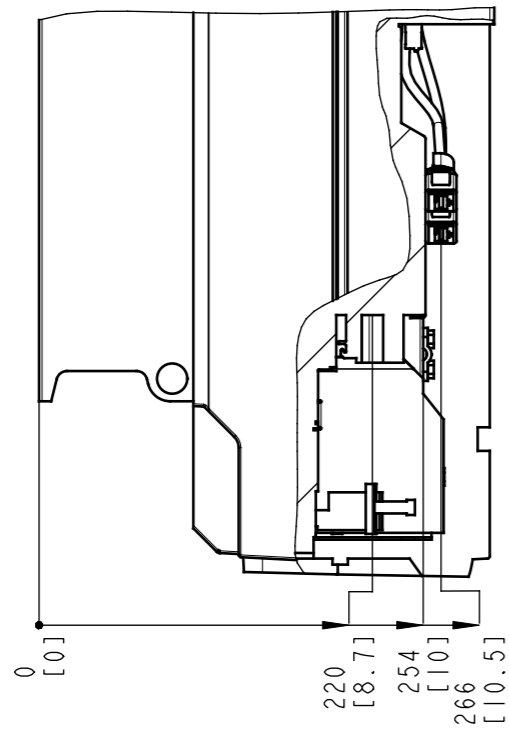


THIS DRAWING SHOWS THE MOST COMMON VERSION OF THIS PRODUCT VARIANT. SMALL DIFFERENCES MAY OCCUR DEPENDING ON THE FINAL PRODUCT CONFIGURATION.

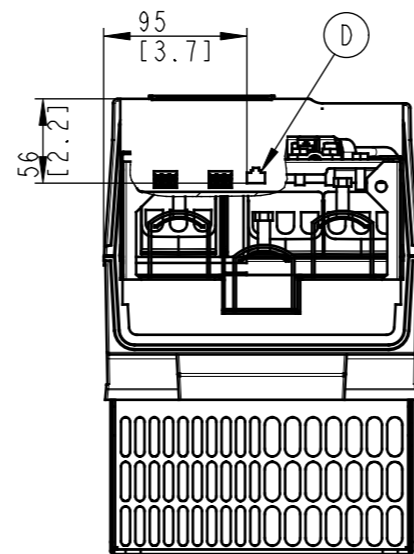
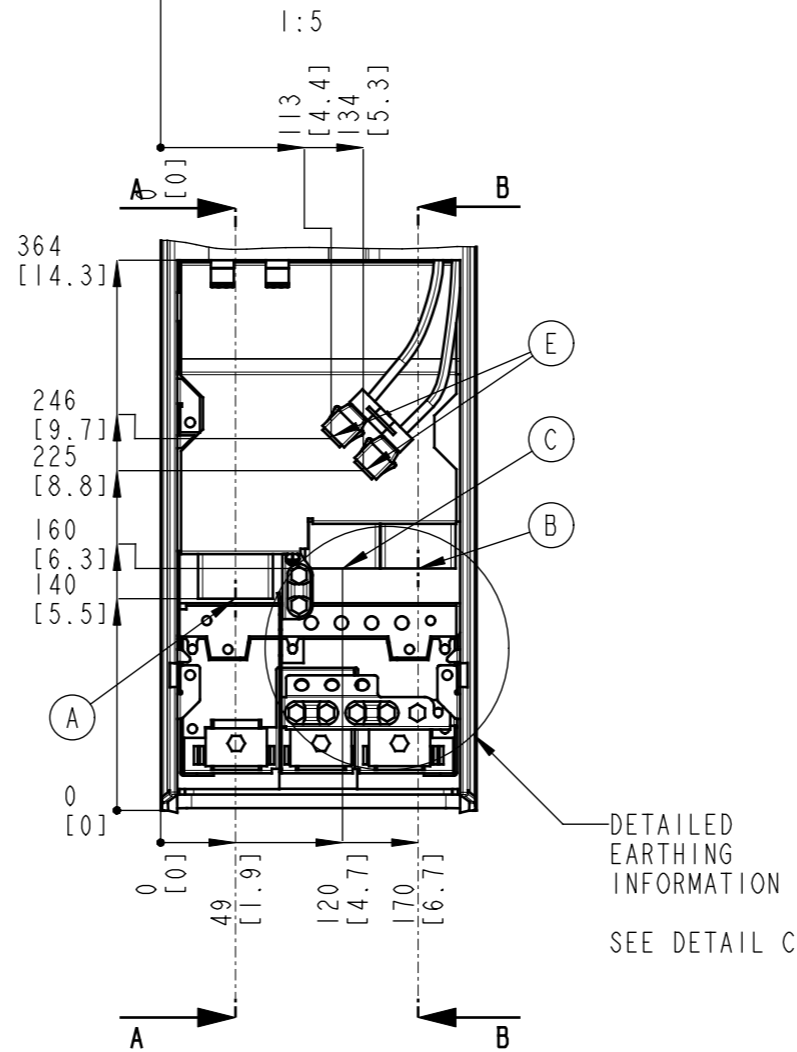
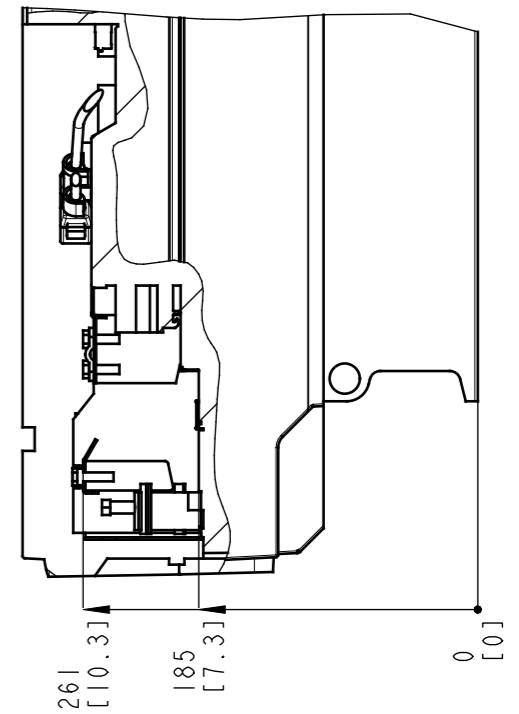
CENTER OF GRAVITY: FOR REFERENCE ONLY, THE PRODUCT CONFIGURATION MAY INFLUENCE THE CG IN ALL THREE AXES.

UNLESS OTHERWISE SPECIFIED THE TOLERANCE IS ± 0.1 MM [0.004 INCH]. ALL DIMENSIONS ARE IN MILLIMETERS [INCH].		FIRST ANGLE PROJECTION	SCALE 1:10	DRAWING SIZE A3	MATERIAL
					FINISH
					DESCRIPTION
CHANGED					MCAD_FK06_IP21
DESIGNED	Danfoss 2020-08-26				
CHECKED					
PROPERTY OF DANFOSS A/S NORDBORG, DENMARK. TWO OR THREE DIMENSIONAL REPRODUCTION OF CONTENTS TO BE AUTHORIZED BY DANFOSS A/S.					DRAWING NUMBER MCAD_FK06_IP21
					REV
					MODEL MCAD_FK06_IP21
					SHEET 1 OF 2

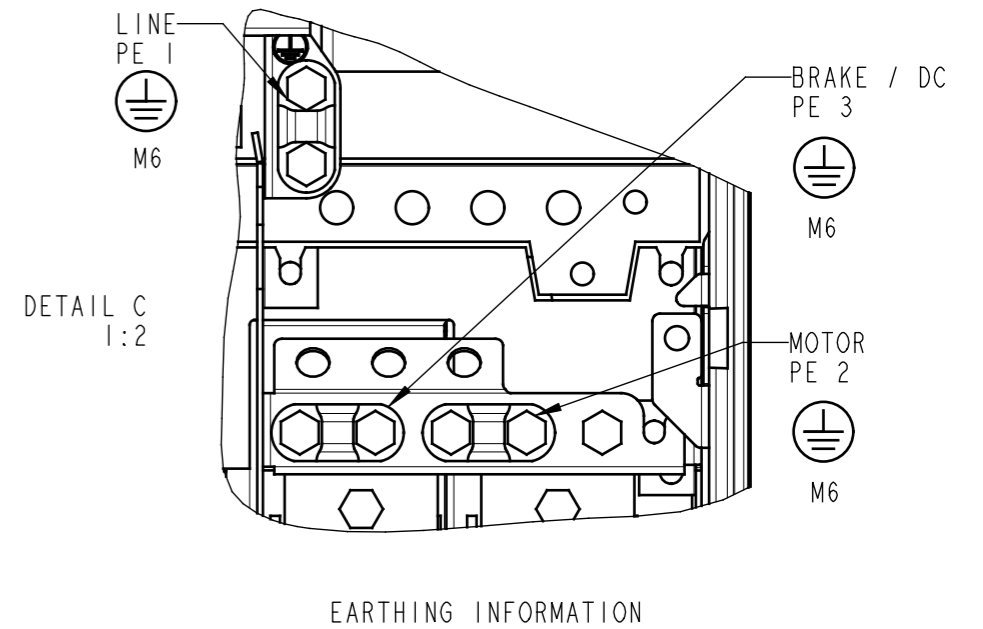
SECTION A-A
LINE TERMINALS



SECTION B-B
MOTOR TERMINALS



BOTTOM VIEW



Position of connectors	
A	Line
B	Motor
C	Brake / DC
D	Interface X0
E	Interface X1/X2

THIS DRAWING SHOWS THE MOST COMMON VERSION OF THIS PRODUCT VARIANT.
SMALL DIFFERENCES MAY OCCUR DEPENDING ON THE FINAL PRODUCT CONFIGURATION.

PROPERTY OF DANFOSS A/S NORDBORG, DENMARK. TWO OR THREE DIMENSIONAL REPRODUCTION OF CONTENTS TO BE AUTHORIZED BY DANFOSS A/S.

DRAWING NUMBER	REV
MCAD_FK06_IP21	
MODEL	SHEET
MCAD_FK06_IP21	2 OF 2