

Type	Value
Max Weight	81kg/179lb
IP Class	IP20
UL Type	Open

A

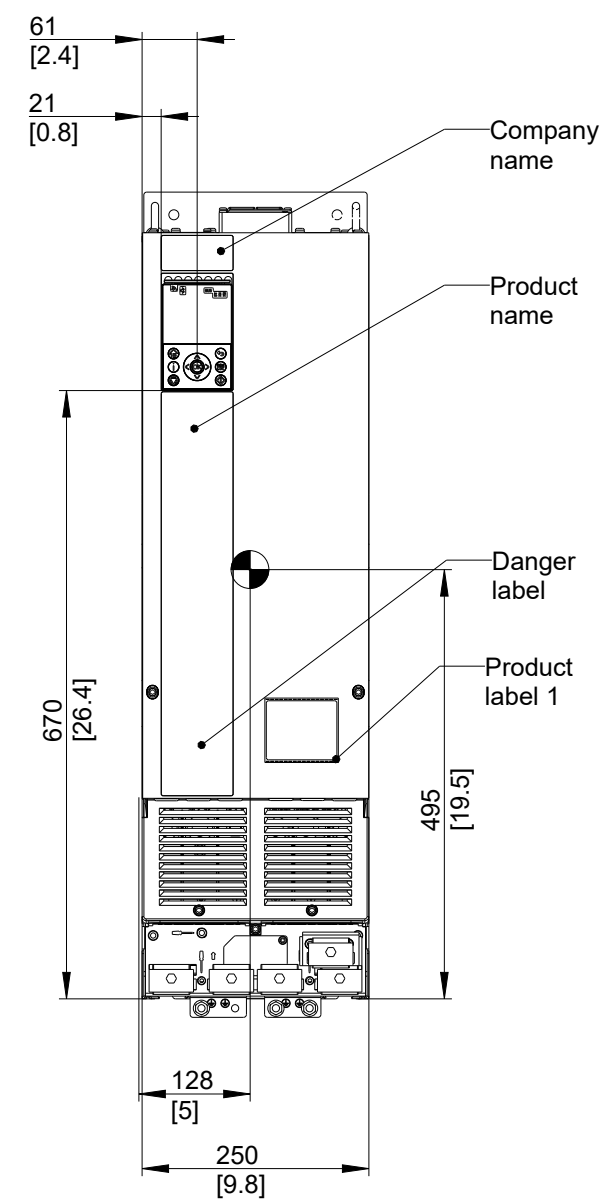
B

C

D

E

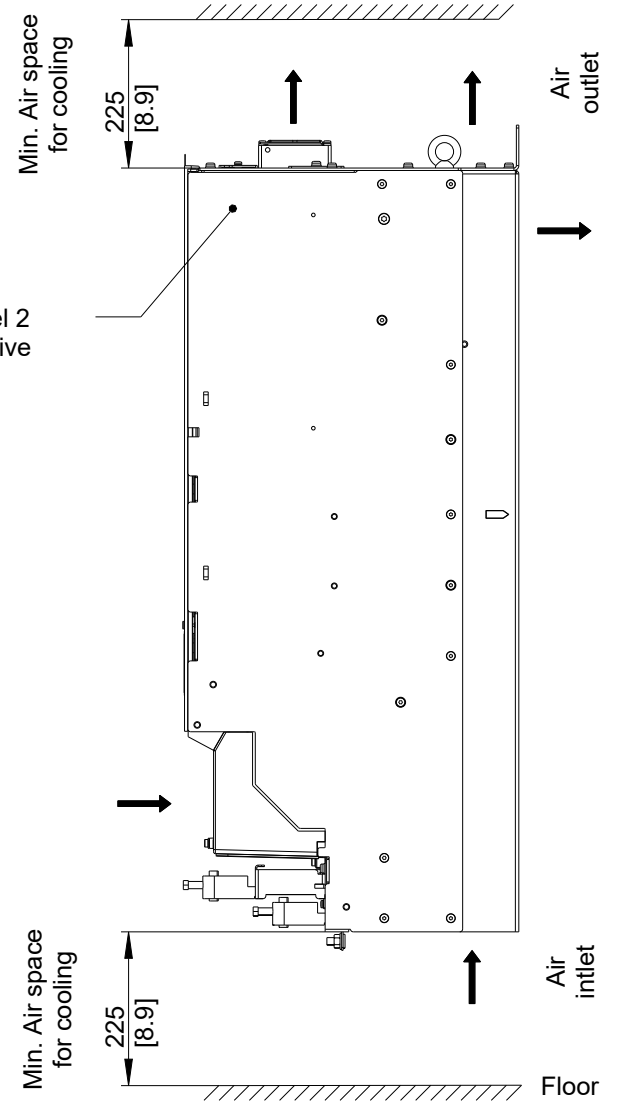
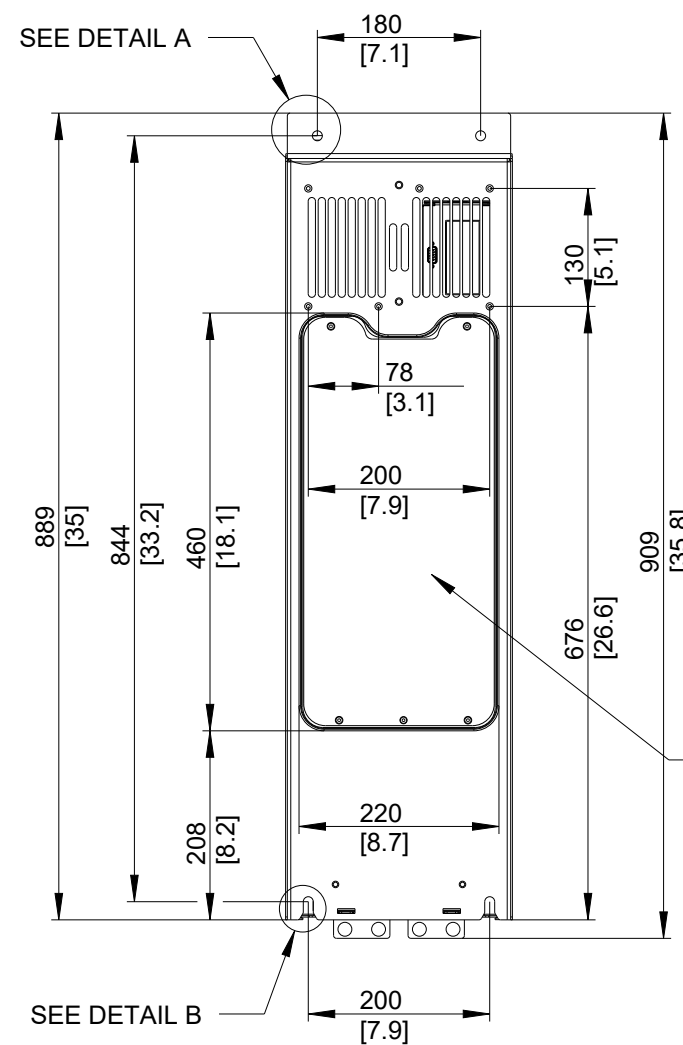
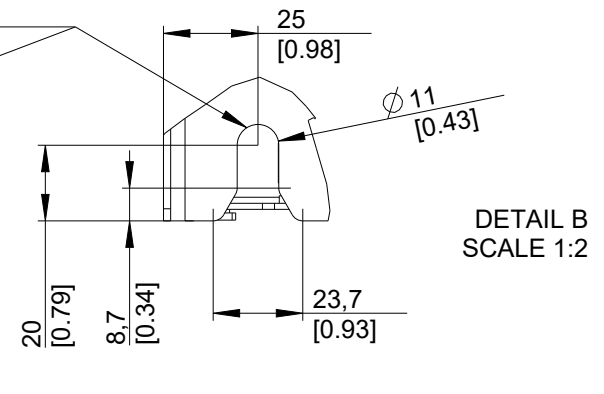
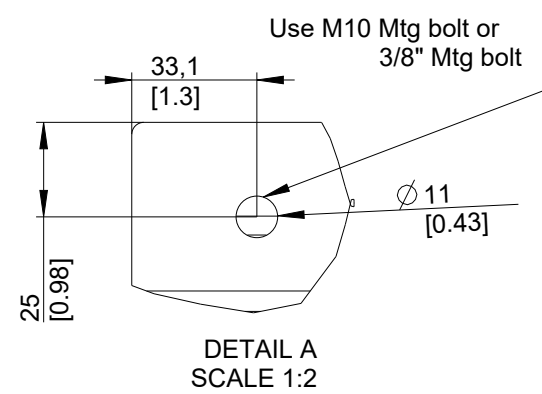
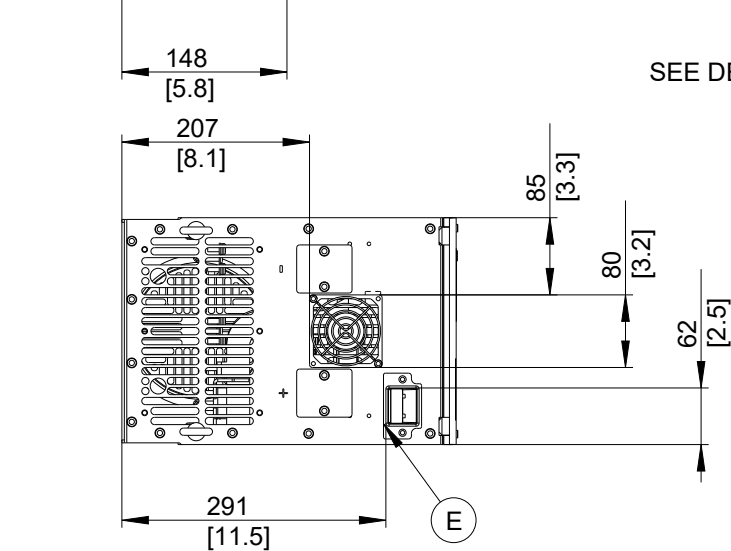
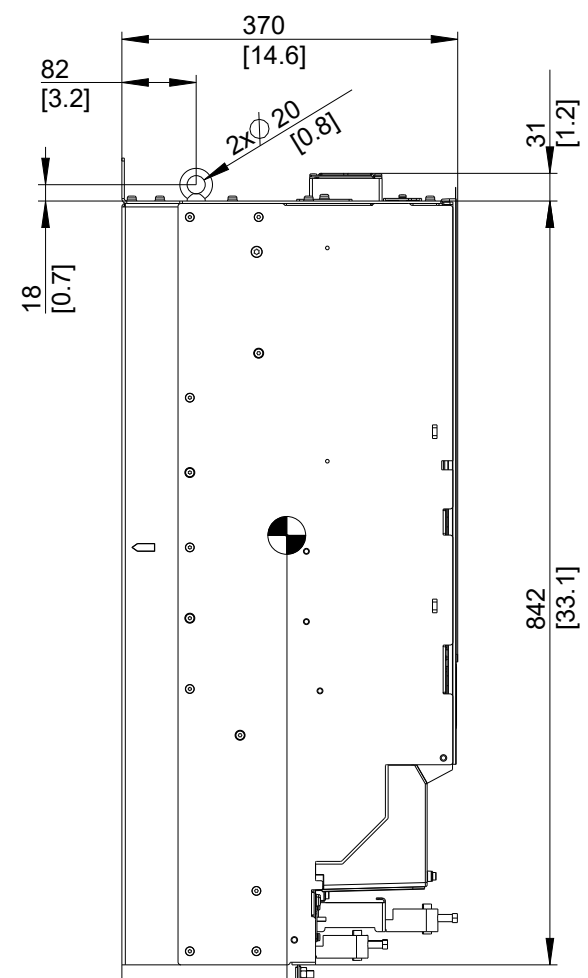
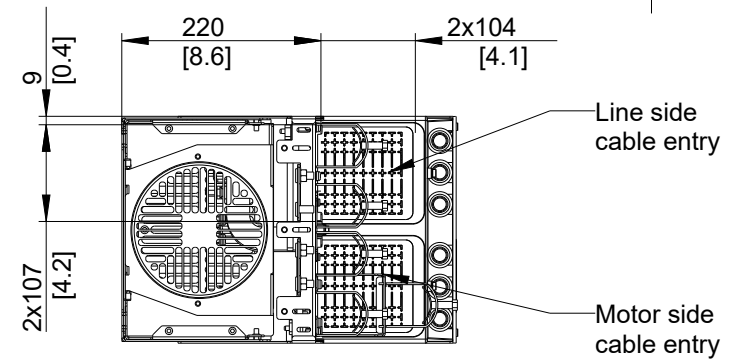
F



Position of connectors	
A	Line
B	Motor
C	Brake/DC Terminals
D	Interface X0
E	Interface X1/X2
F	Grounding connections

THIS DRAWING SHOWS THE MOST COMMON VERSION OF THIS PRODUCT VARIANT. SMALL DIFFERENCES MAY OCCUR DEPENDING ON THE FINAL PRODUCT CONFIGURATION.

CENTER OF GRAVITY: FOR REFERENCE ONLY, THE PRODUCT CONFIGURATION MAY INFLUENCE THE CG IN ALL THREE AXES.



1. MAX. AIRFLOW (BACKCHANNEL) - 638 m³/hr (375CFM)
2. MAX. AIRFLOW (CABINET) - 150 m³/hr (88CFM)

UNLESS OTHERWISE SPECIFIED THE TOLERANCE IS ± 1MM [0.4 INCH]. ALL DIMENSIONS ARE IN MILLIMETERS [INCH]		FIRST ANGLE PROJECTION	SCALE	DRAWING SIZE	MATERIAL	-			
			1:10	A3	FINISH	-			
						DESCRIPTION	MCAD FA09 IP20		
CHANGED						DRAWING NUMBER	178R0006	REV	001
DESIGNED	Kishore 08/25/22					MODEL	MCAD FA09 IP20	SHEET	1 OF 2
CHECKED		PROPERTY OF DANFOSS A/S NORDBORG, DENMARK. TWO OR THREE DIMENSIONAL REPRODUCTION OF CONTENTS TO BE AUTHORIZED BY DANFOSS A/S.							

A

B

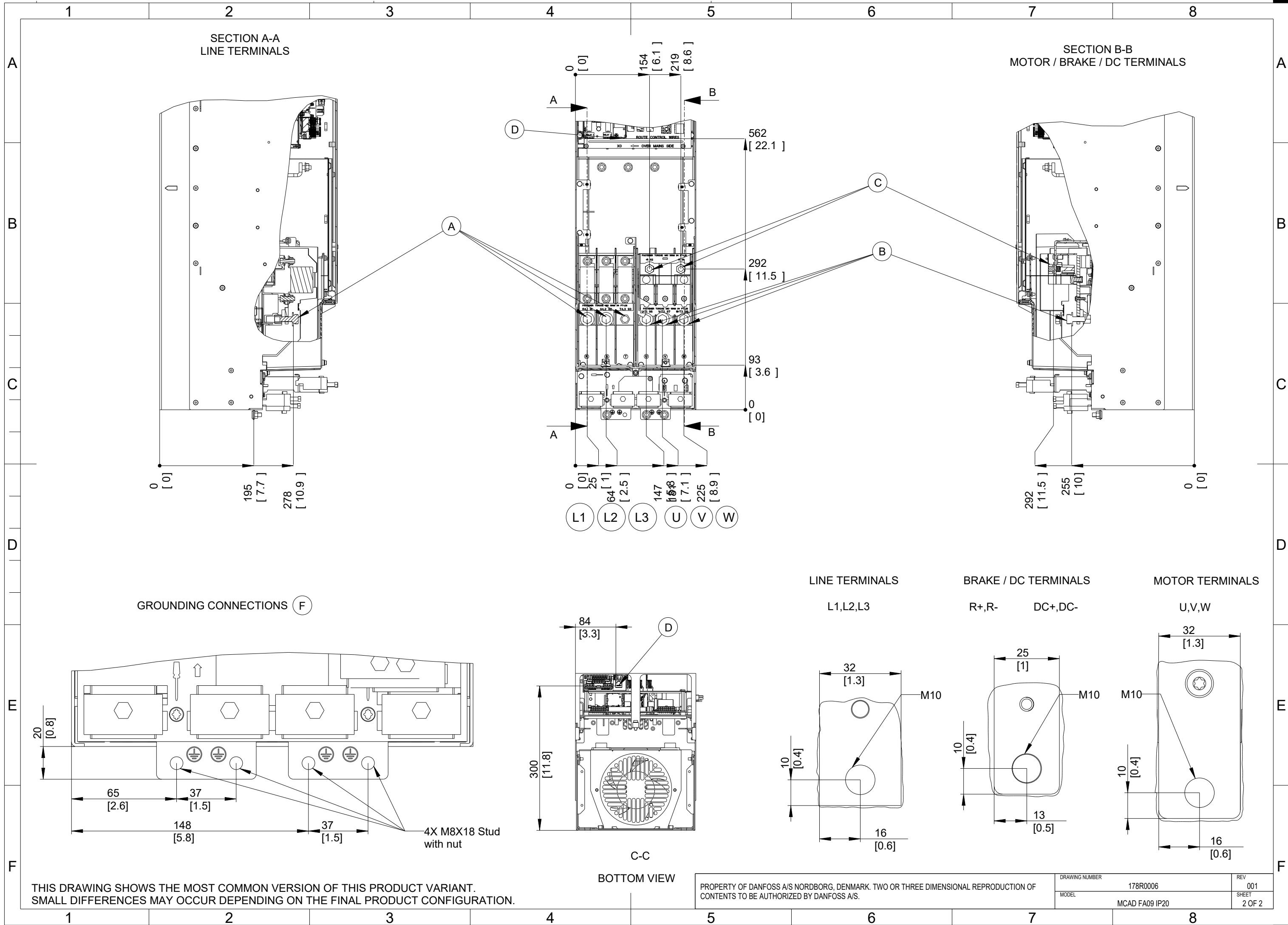
C

D

E

F

1 2 3 4 5 6 7 8



THIS DRAWING SHOWS THE MOST COMMON VERSION OF THIS PRODUCT VARIANT.
SMALL DIFFERENCES MAY OCCUR DEPENDING ON THE FINAL PRODUCT CONFIGURATION.

PROPERTY OF DANFOSS A/S NORDBORG, DENMARK. TWO OR THREE DIMENSIONAL REPRODUCTION OF
CONTENTS TO BE AUTHORIZED BY DANFOSS A/S.

DRAWING NUMBER	178R0006	REV	001
MODEL	MCAD FA09 IP20	SHEET	2 OF 2