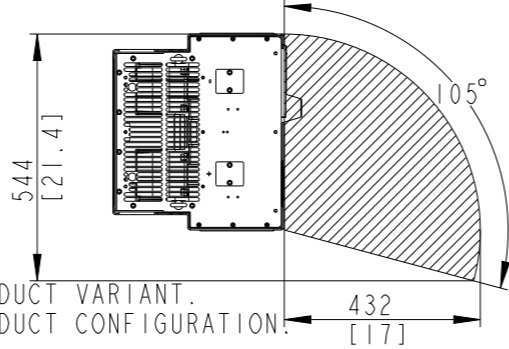
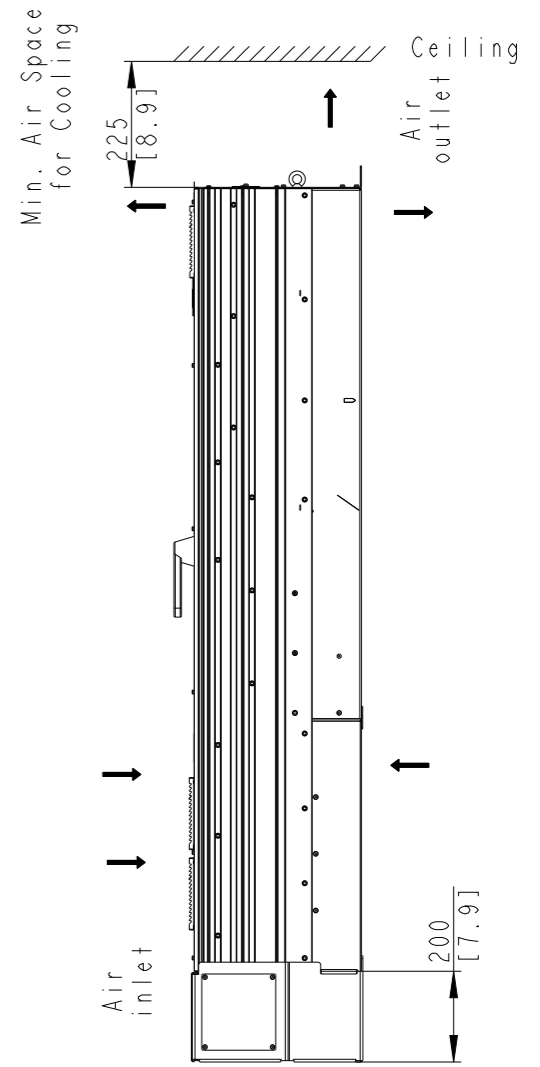
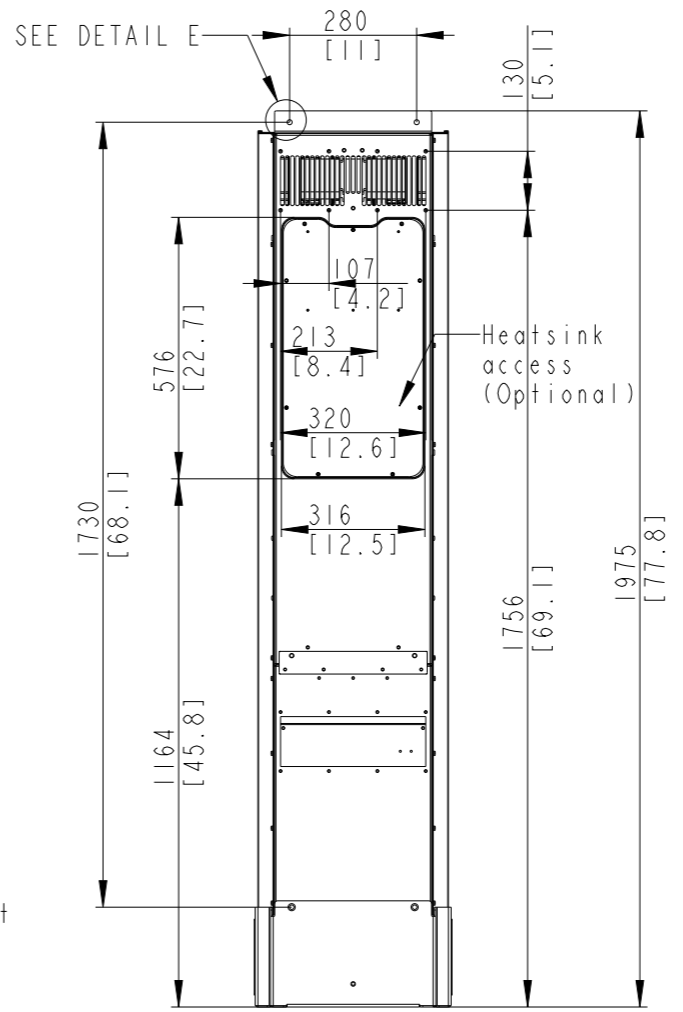
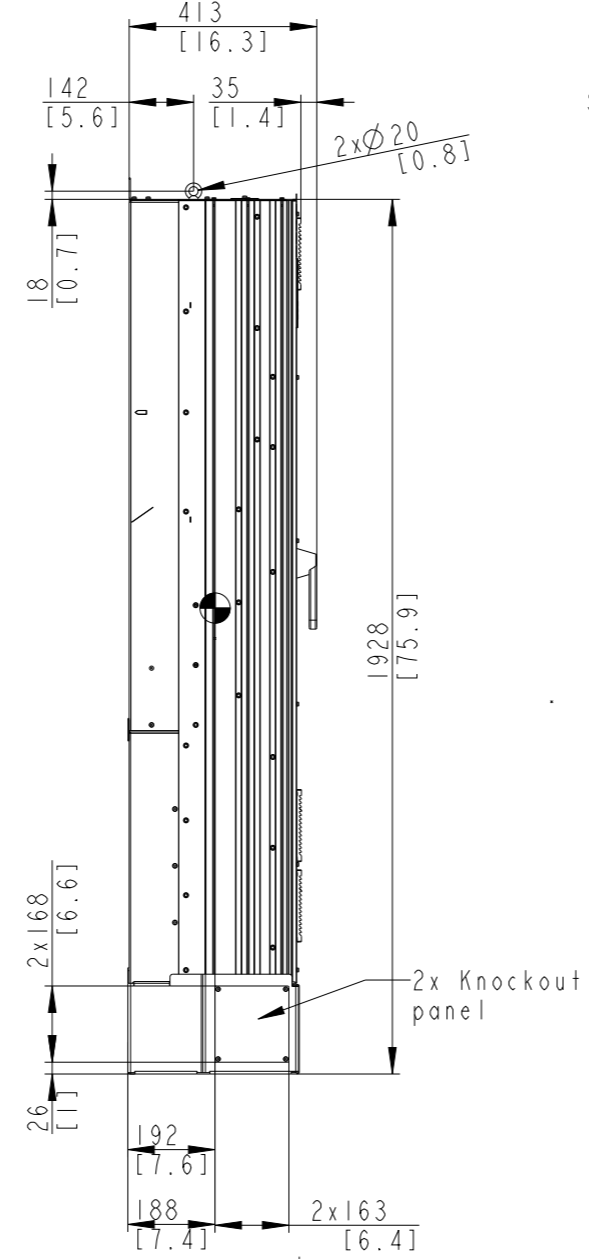
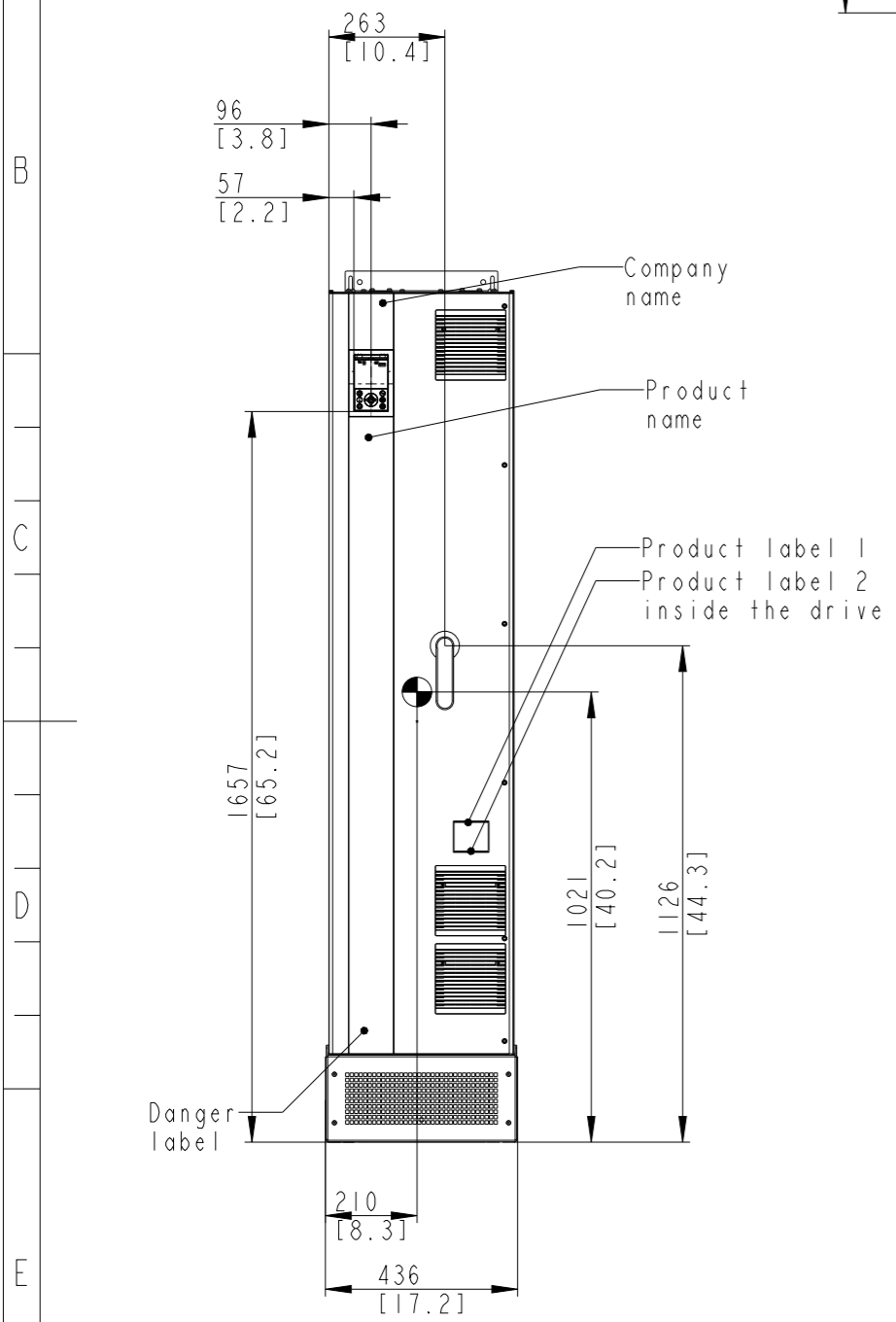
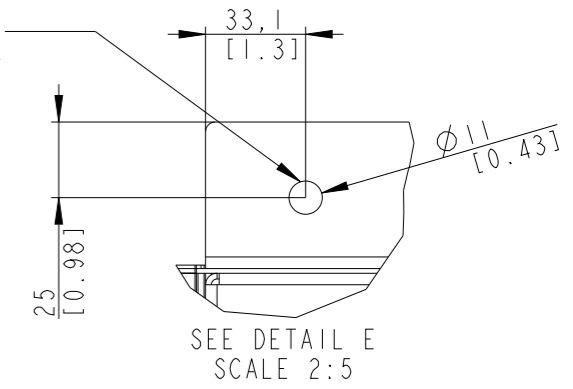
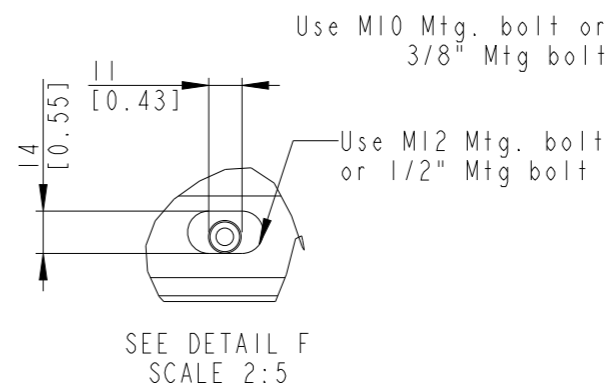
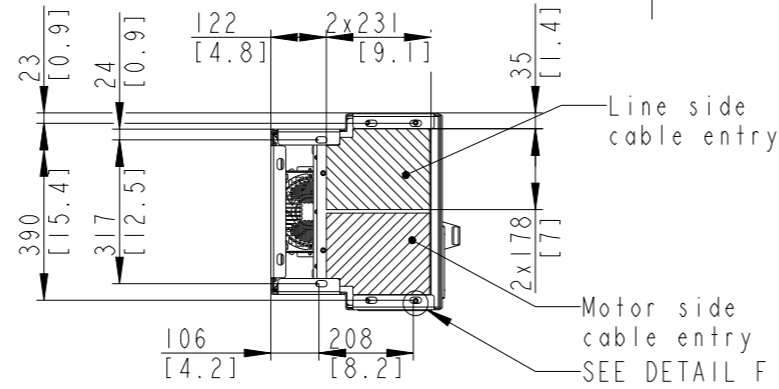


Type	Value
Max Weight	178kg/392lb
IP Class	IP21
UL Type	Type I



1. MAX AIRFLOW (BACKCHANNEL) - 638m³/hr (375CFM)
2. MAX AIRFLOW (CABINET) - 204m³/hr (120CFM)

Position of connectors	
A	Line
B	Motor
C	Brake / DC
D	Interface X0
E	Interface XI/X2
F	Grounding connections

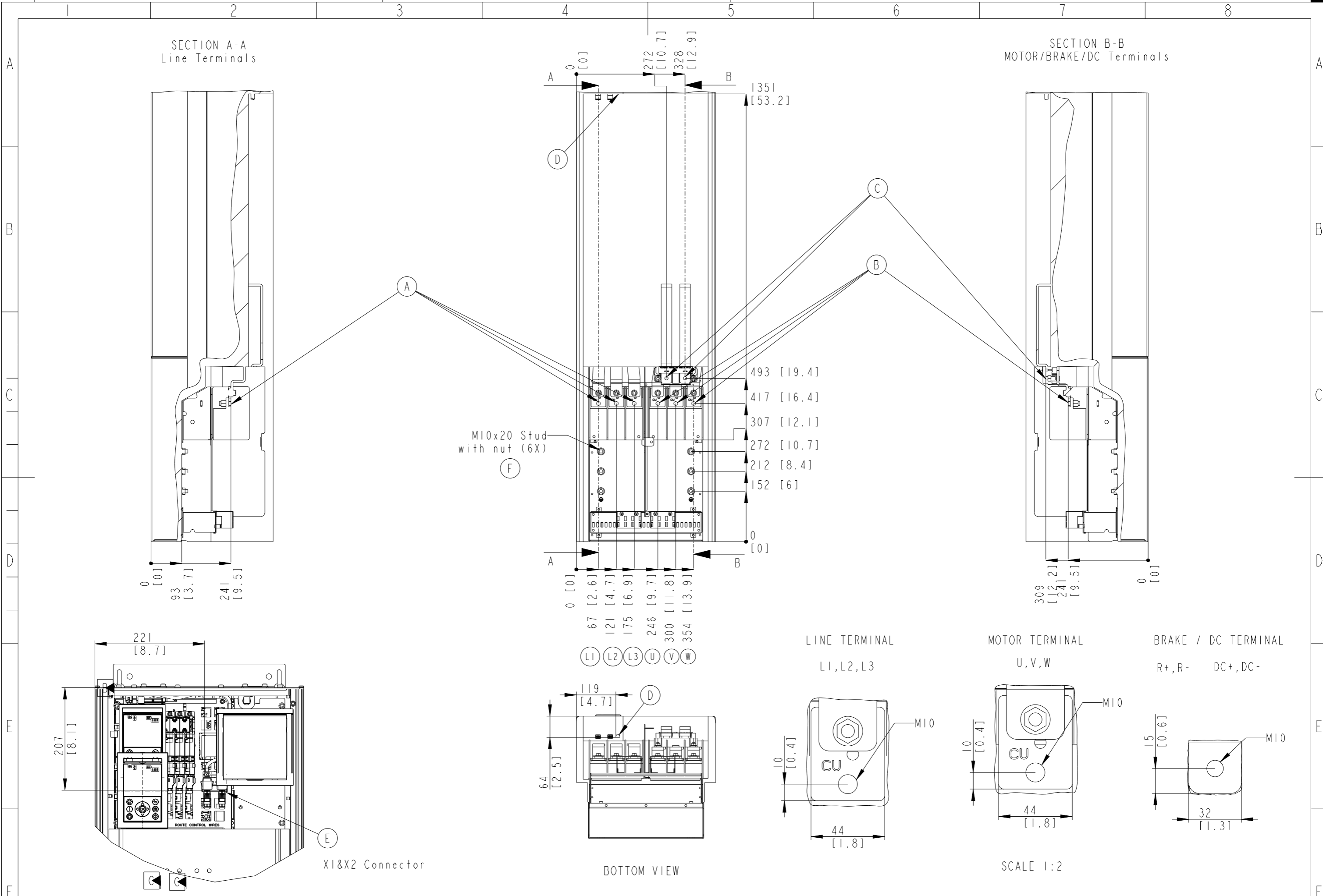
THIS DRAWING SHOWS THE MOST COMMON VERSION OF THIS PRODUCT VARIANT. SMALL DIFFERENCES MAY OCCUR DEPENDING ON THE FINAL PRODUCT CONFIGURATION.

CENTER OF GRAVITY: FOR REFERENCE ONLY, THE PRODUCT CONFIGURATION MAY INFLUENCE THE CG IN ALL THREE AXES.

UNLESS OTHERWISE SPECIFIED THE TOLERANCE IS ±0.1MM [0.4 INCH]. ALL DIMENSIONS ARE IN MILLIMETERS [INCH]		FIRST ANGLE PROJECTION	SCALE 1:20	DRAWING SIZE A3	MATERIAL -
					FINISH -
					DESCRIPTION
					MCAD FK10c IP21
CHANGED					DRAWING NUMBER 178r0017
DESIGNED	Oshin Bose 02-03-2023				REV 001
CHECKED					SHEET 1 OF 2
PROPERTY OF DANFOSS A/S NORDBOG, DENMARK. TWO OR THREE DIMENSIONAL REPRODUCTION OF CONTENTS TO BE AUTHORIZED BY DANFOSS A/S.					MODEL MCAD FK10c IP21

SECTION A-A
Line Terminals

SECTION B-B
MOTOR/BRAKE/DC Terminals



THIS DRAWING SHOWS THE MOST COMMON VERSION OF THIS PRODUCT VARIANT.
SMALL DIFFERENCES MAY OCCUR DEPENDING ON THE FINAL PRODUCT CONFIGURATION.

PROPERTY OF DANFOSS A/S NORDBOG, DENMARK. TWO OR THREE DIMENSIONAL REPRODUCTION OF
CONTENTS TO BE AUTHORIZED BY DANFOSS A/S.

DRAWING NUMBER	178r0017	REV	001
MODEL	MCAD FK10c IP21	SHEET	2 OF 2