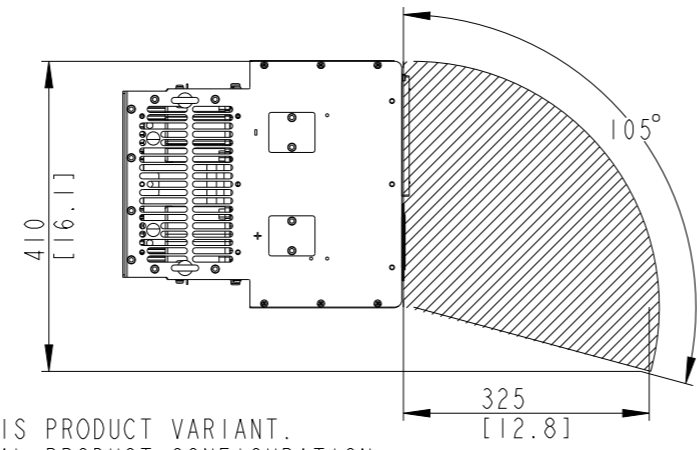
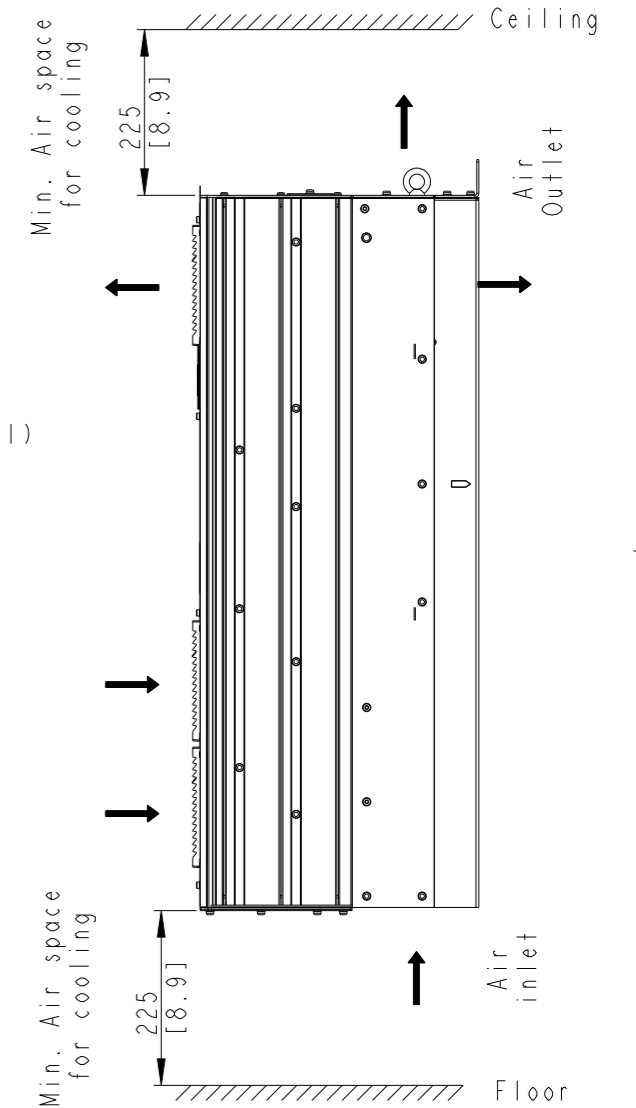
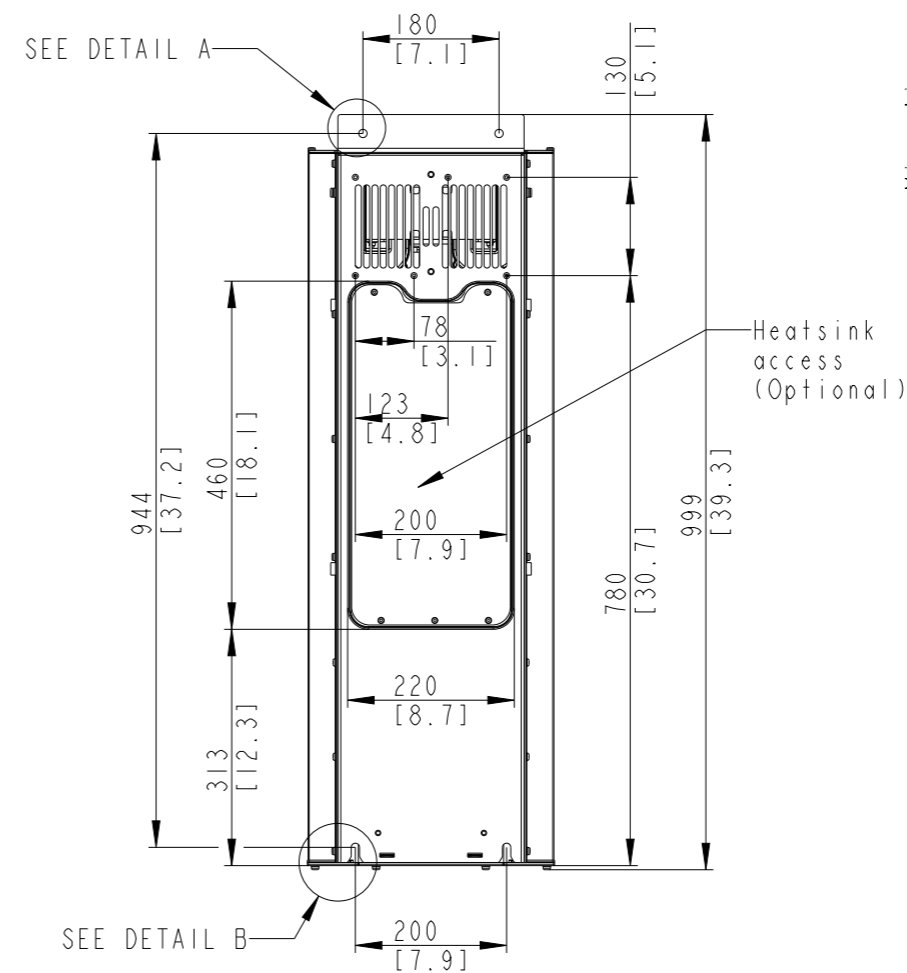
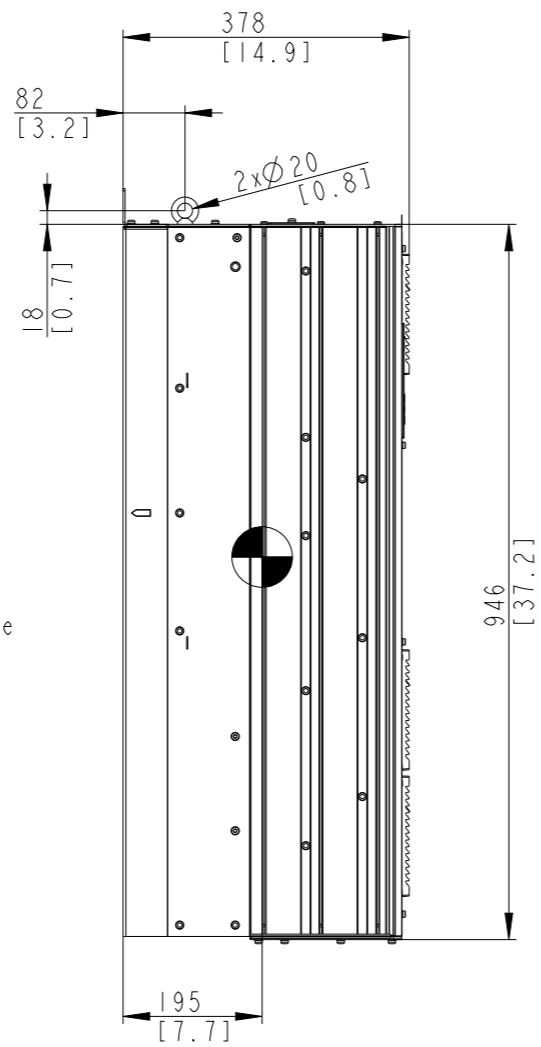
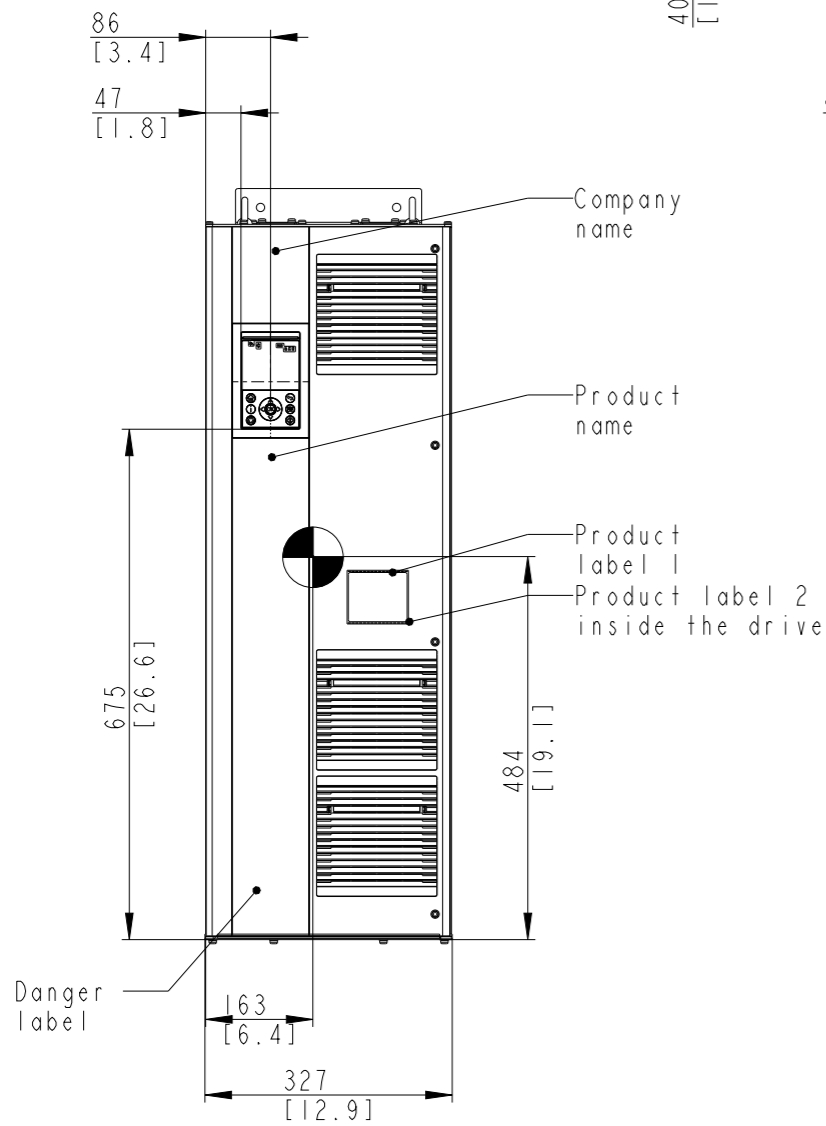
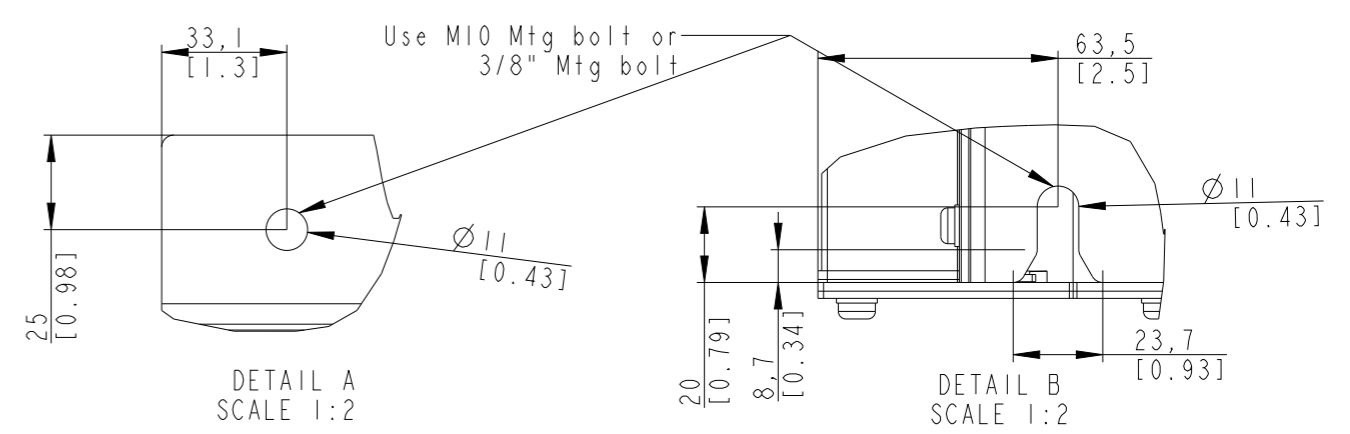
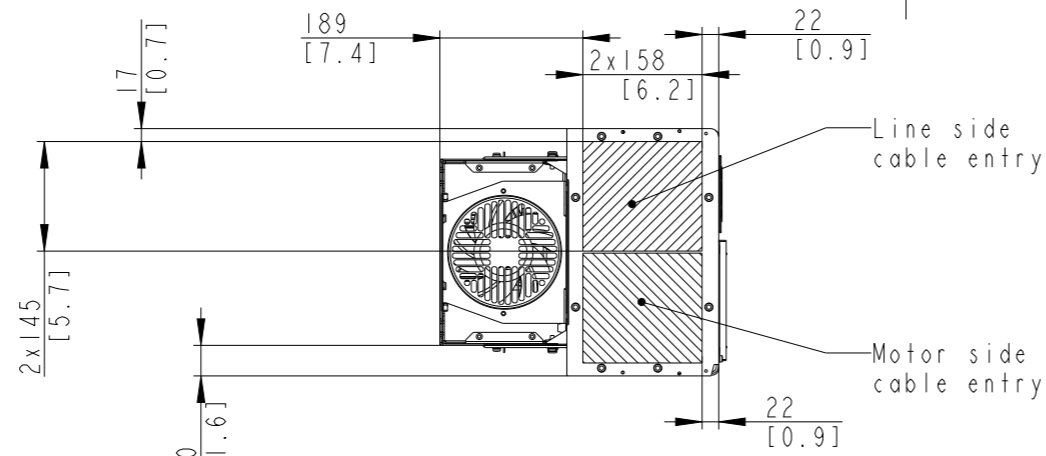


Type	Value
Max Weight	89Kg/196lb
IP Class	IP54
UL Type	Type 12



Position of connectors	
A	Line
B	Motor
C	Interface X0
D	Interface XI/X2
E	Ground connections

THIS DRAWING SHOWS THE MOST COMMON VERSION OF THIS PRODUCT VARIANT. SMALL DIFFERENCES MAY OCCUR DEPENDING ON THE FINAL PRODUCT CONFIGURATION.

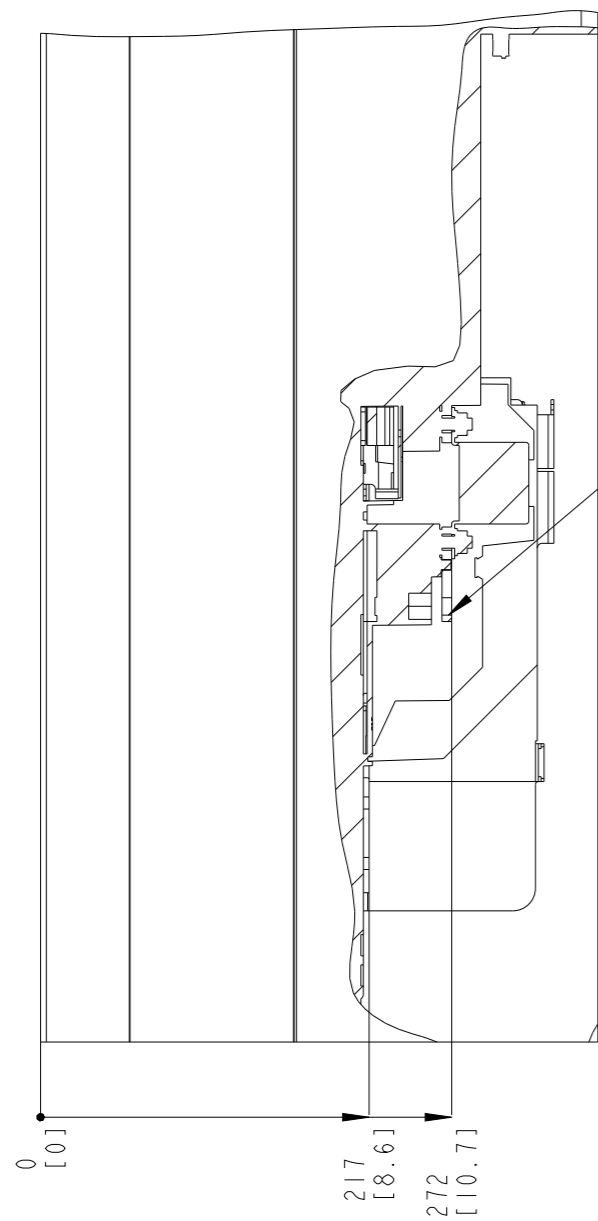
CENTER OF GRAVITY: FOR REFERENCE ONLY, THE PRODUCT CONFIGURATION MAY INFLUENCE THE CG IN ALL THREE AXES.

1. MAX AIRFLOW (BACKCHANNEL) - 638m³/hr(375CFM)
2. MAX AIRFLOW (CABINET) - 144m³/hr(85CFM)

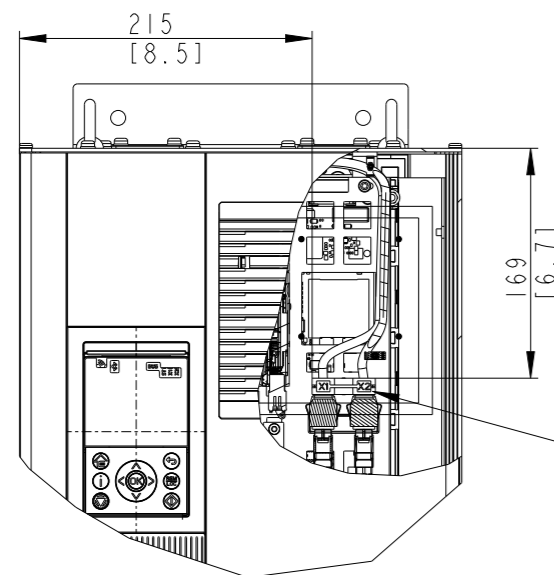
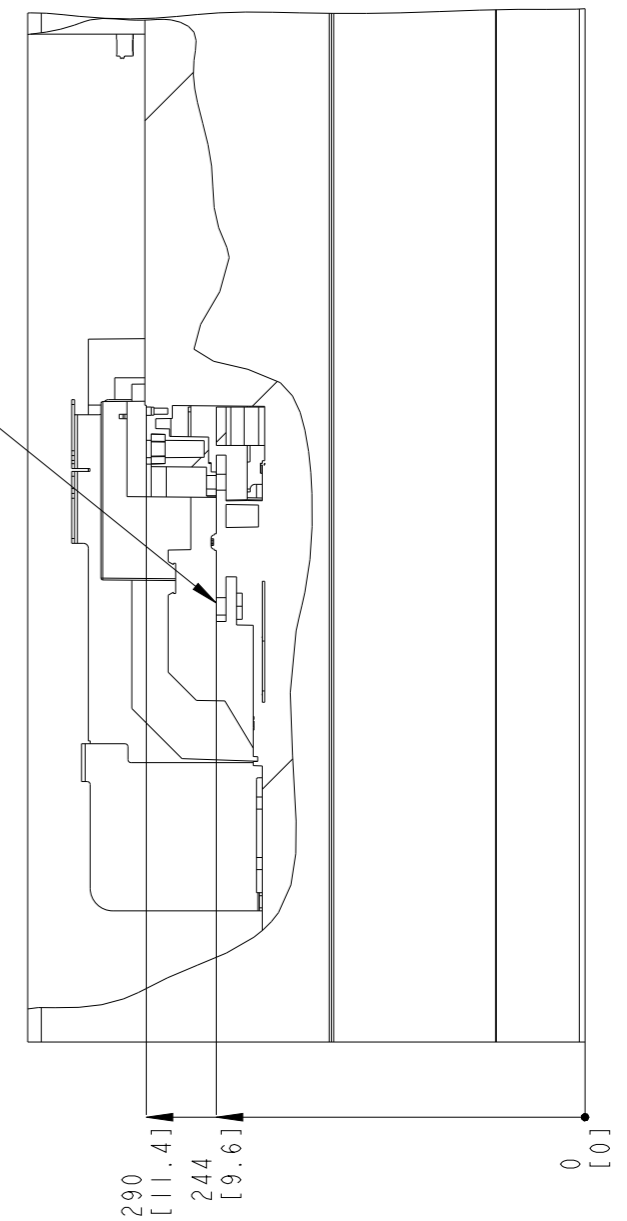
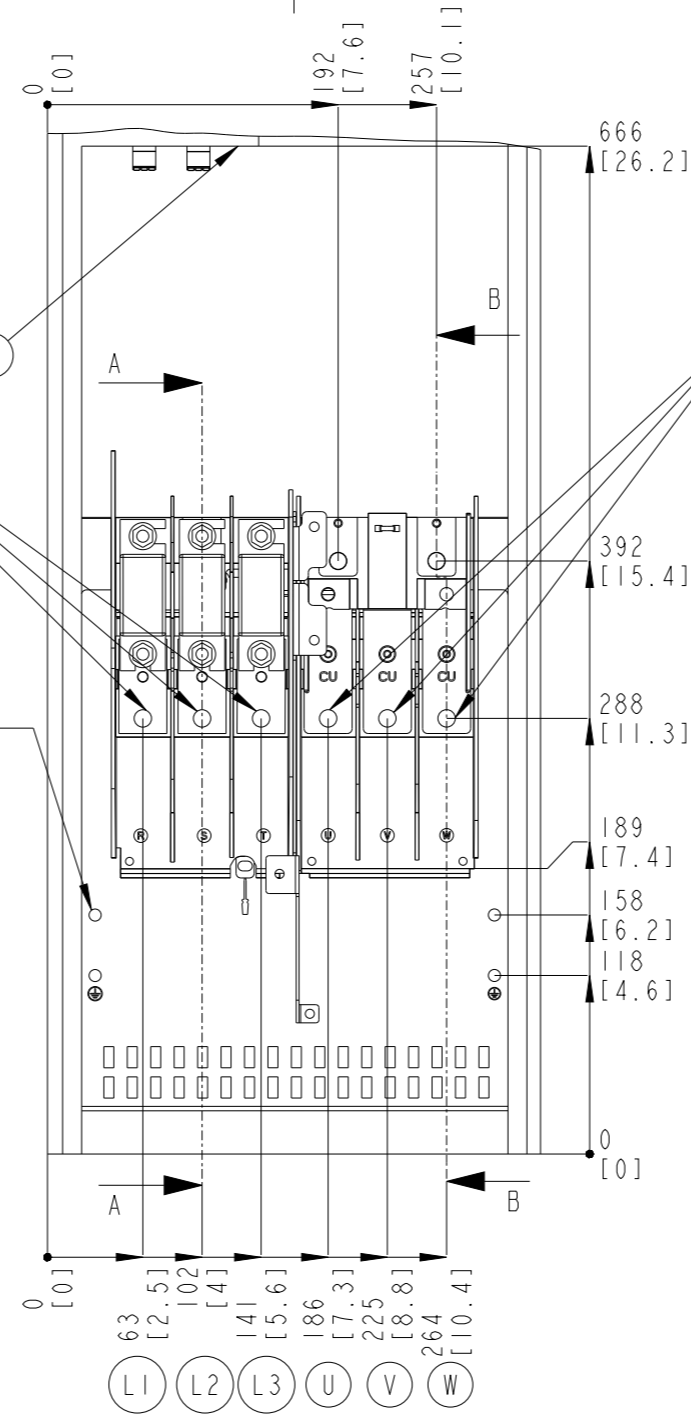
UNLESS OTHERWISE SPECIFIED THE TOLERANCE IS ±0.1MM [0.4 INCH]. ALL DIMENSIONS ARE IN MILLIMETERS [INCH]		FIRST ANGLE PROJECTION	SCALE 1:10	DRAWING SIZE A3	MATERIAL -
					FINISH -
					DESCRIPTION
					MCAD FB09a IP54
CHANGED					DRAWING NUMBER 178r0016
DESIGNED	Kishore	03/08/23			REV 001
CHECKED					MODEL MCAD FB09a IP54
PROPERTY OF DANFOSS A/S NORDBOURG, DENMARK. TWO OR THREE DIMENSIONAL REPRODUCTION OF CONTENTS TO BE AUTHORIZED BY DANFOSS A/S.					SHEET 1 OF 3

SECTION A-A
LINE TERMINALS

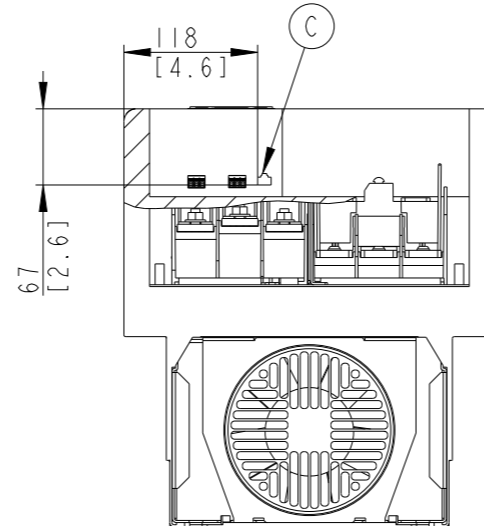
SECTION B-B
MOTOR TERMINALS



M8x20 Stud
with nut (4X)

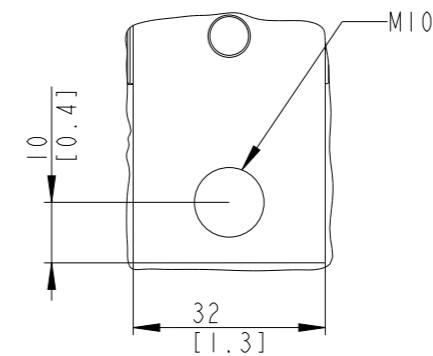


X1&X2 Connector



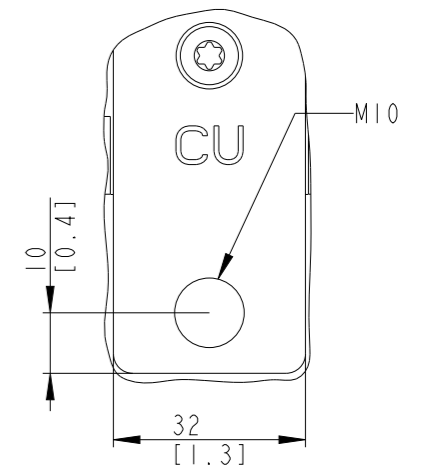
LINE TERMINAL

L1, L2, L3



MOTOR TERMINAL

U, V, W



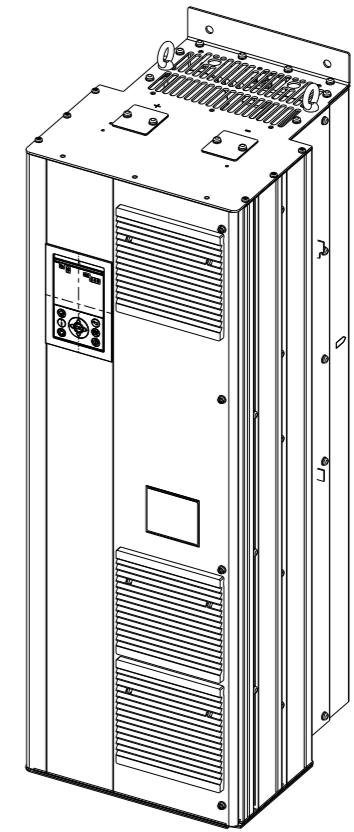
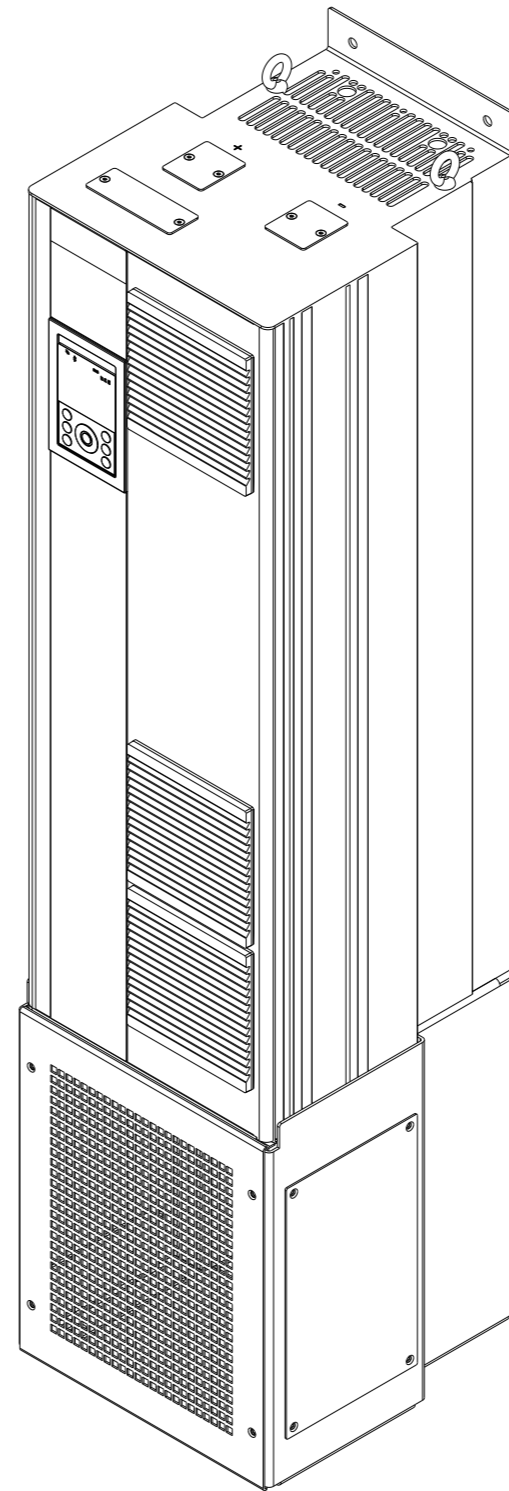
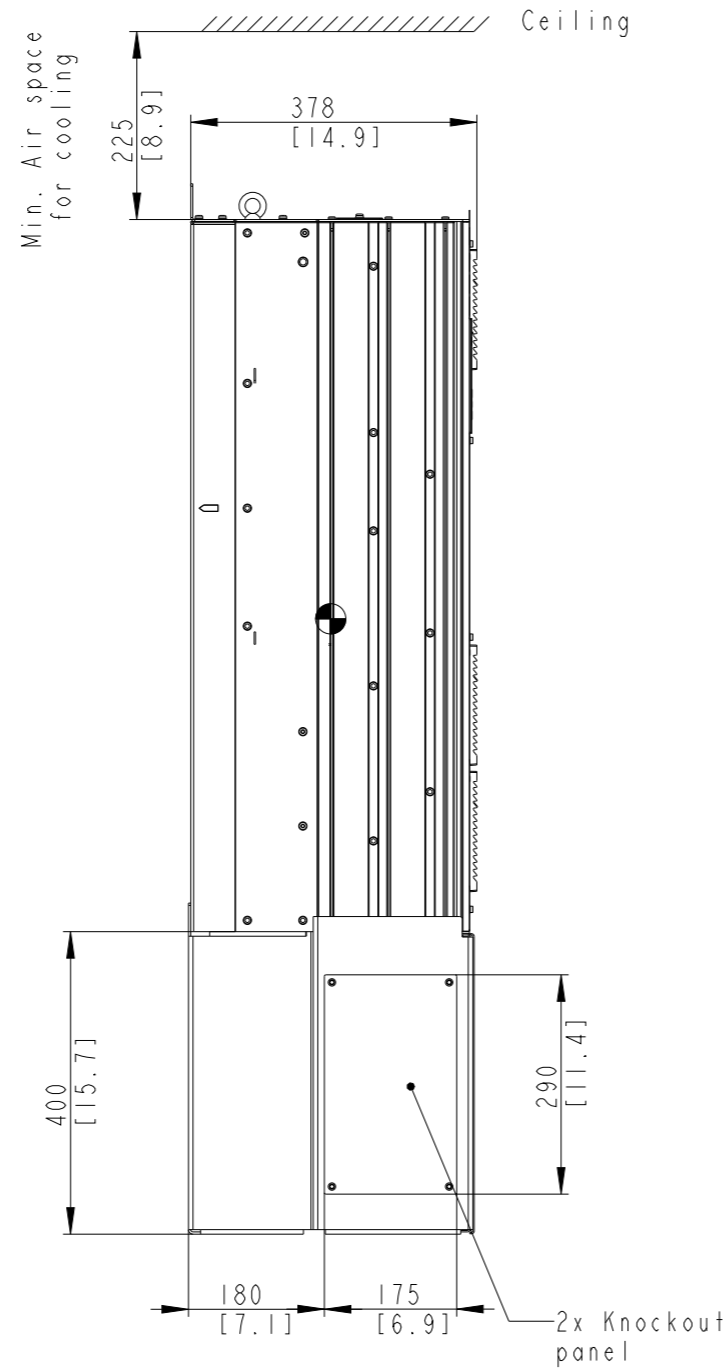
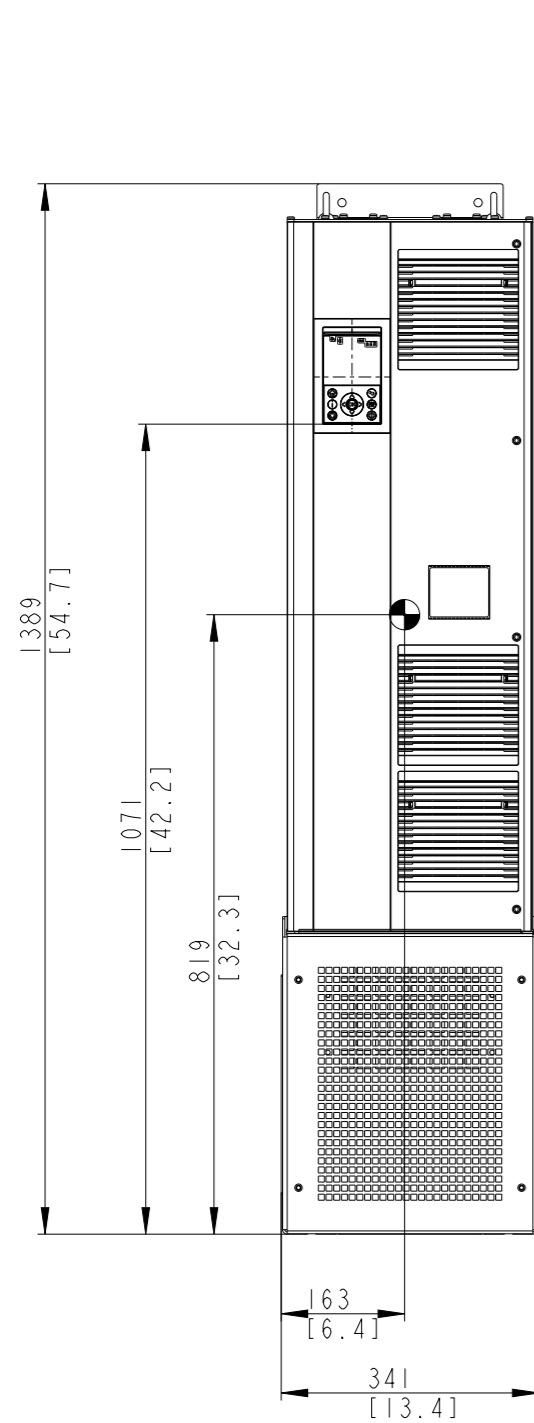
A-A
THIS DRAWING SHOWS THE MOST COMMON VERSION OF THIS PRODUCT VARIANT.
SMALL DIFFERENCES MAY OCCUR DEPENDING ON THE FINAL PRODUCT CONFIGURATION.

PROPERTY OF DANFOSS A/S NORDBOG, DENMARK. TWO OR THREE DIMENSIONAL REPRODUCTION OF CONTENTS TO BE AUTHORIZED BY DANFOSS A/S.

DRAWING NUMBER	178r0016	REV	001
MODEL	MCAD FB09a IP54	SHEET	2 OF 3

Optional Floor mounting with Pedestal

Standard
(without Pedestal option)



THIS DRAWING SHOWS THE MOST COMMON VERSION OF THIS PRODUCT VARIANT.
SMALL DIFFERENCES MAY OCCUR DEPENDING ON THE FINAL PRODUCT CONFIGURATION.

PROPERTY OF DANFOSS A/S NORDBORG, DENMARK. TWO OR THREE DIMENSIONAL REPRODUCTION OF
CONTENTS TO BE AUTHORIZED BY DANFOSS A/S.

DRAWING NUMBER	178r0016	REV	001
MODEL	MCAD FB09a 1P54	SHEET	3 OF 3