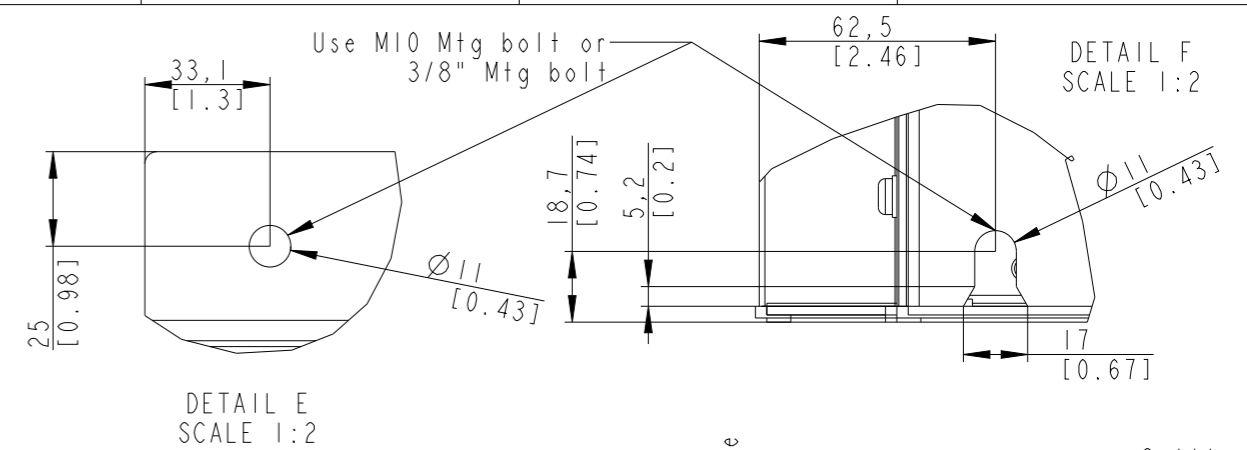
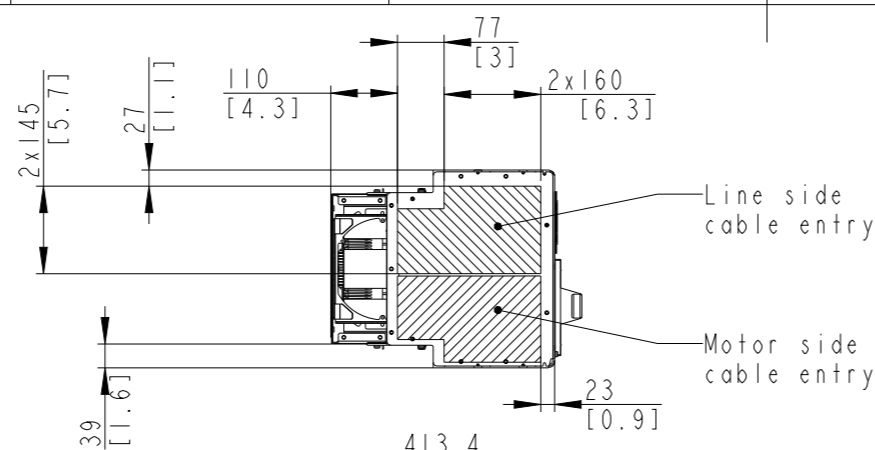
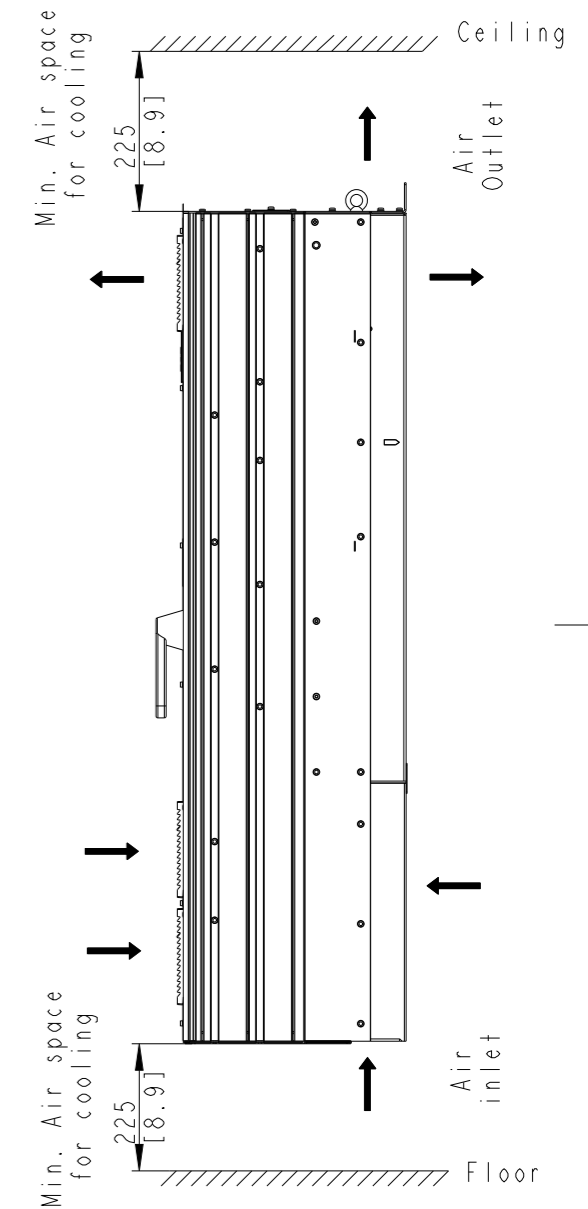
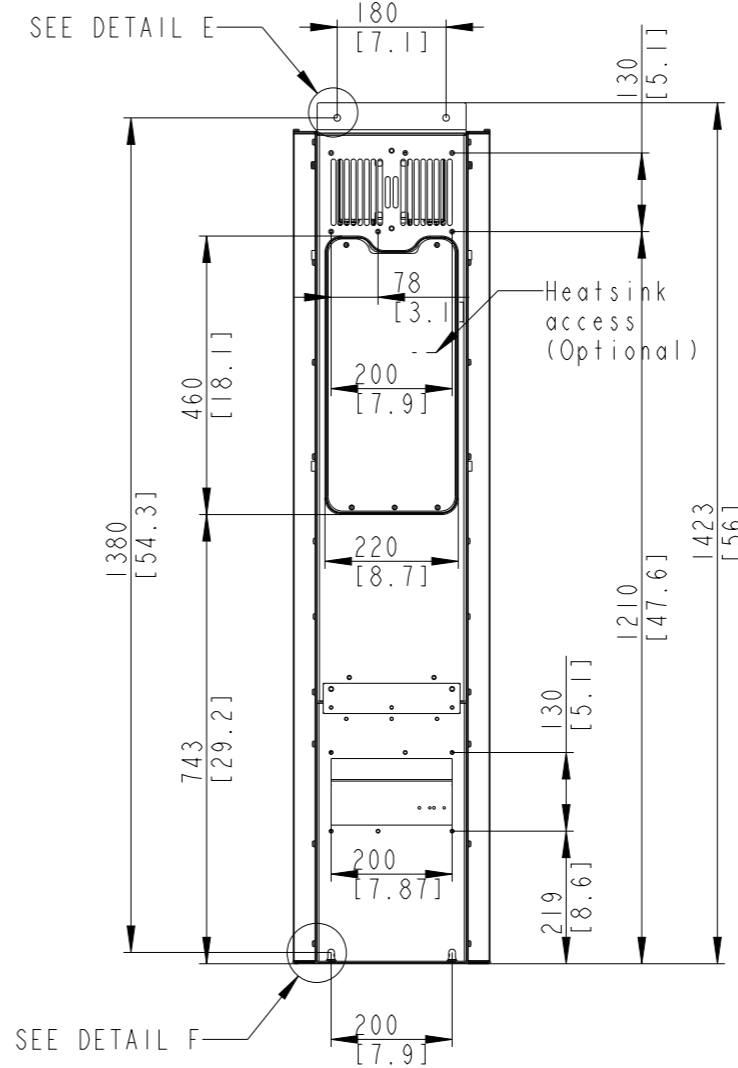
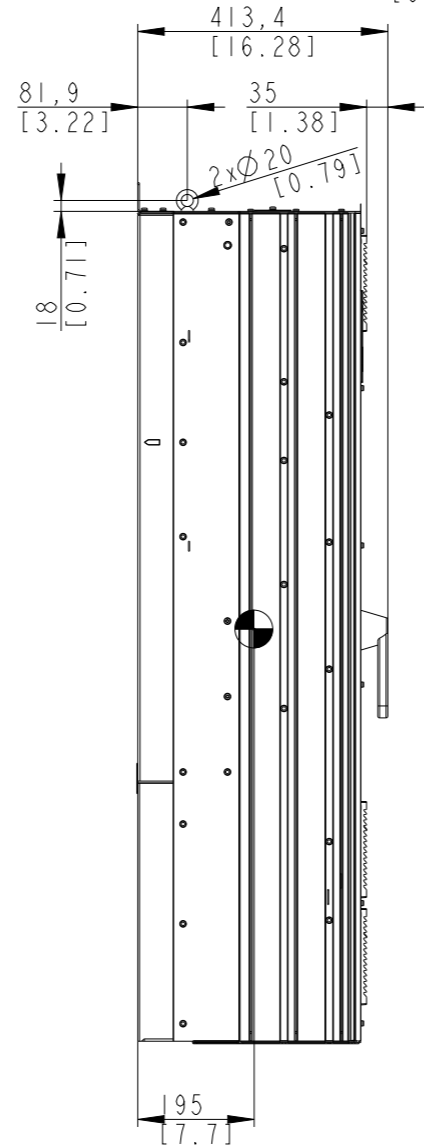
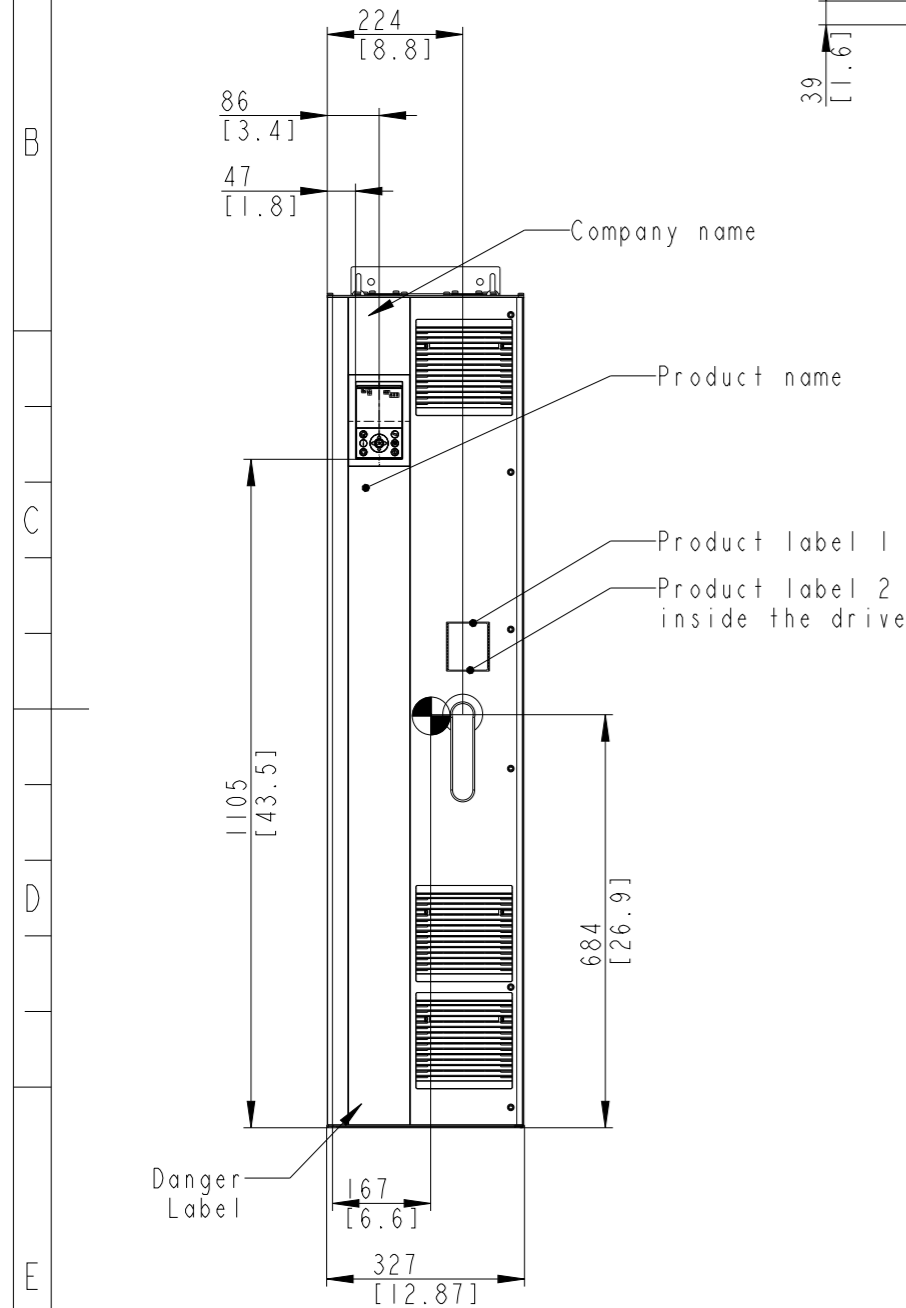


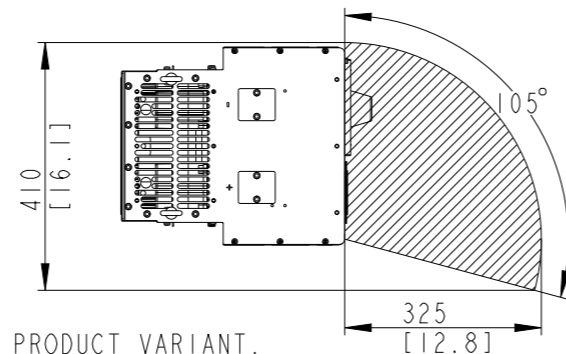
Type	Value
Max Weight	107kg/236lb
IP Class	IP21
UL Type	Type I



DETAIL F
SCALE 1:2

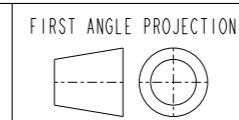


Position of connectors	
A	Line
B	Motor
C	Brake / DC
D	Interface X0
E	Interface XI/X2
F	Grounding Connections



1. MAX AIRFLOW (BACKCHANNEL) - 638m³/hr (375CFM)
2. MAX AIRFLOW (CABINET) - 144m³/hr (85CFM)

UNLESS OTHERWISE SPECIFIED THE TOLERANCE IS ±0.1MM [0.4 INCH]. ALL DIMENSIONS ARE IN MILLIMETERS [INCH]



FIRST ANGLE PROJECTION
SCALE 1:4
DRAWING SIZE A3

CHANGED		
DESIGNED	Oshin	3/3/2023
CHECKED		



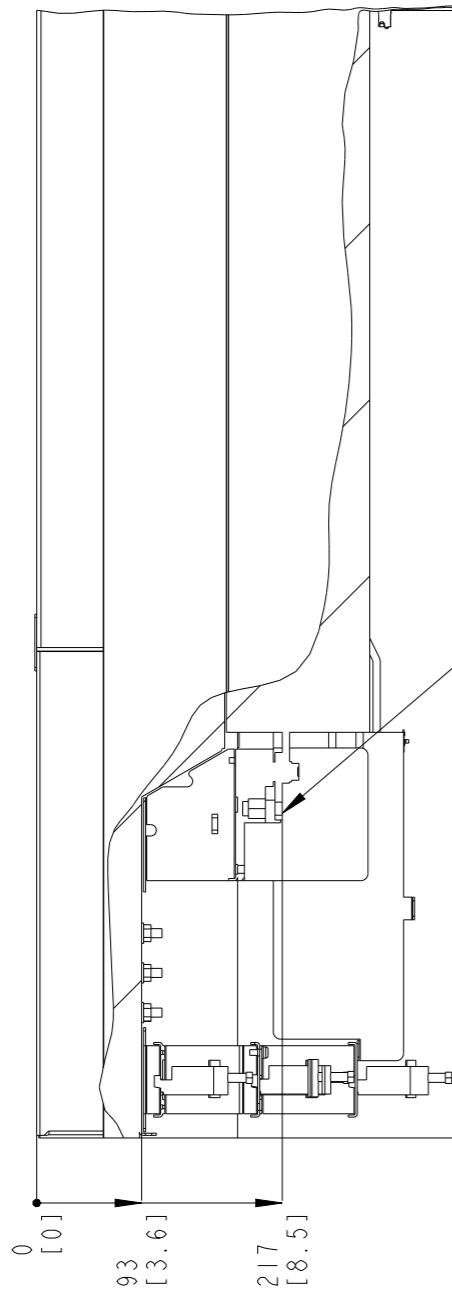
MATERIAL	-
FINISH	-
DESCRIPTION	MCAD FK09c IP21
DRAWING NUMBER	178r0011
MODEL	MCAD FK09c IP21
REV	001
SHEET	1 OF 3

PROPERTY OF DANFOSS A/S NORDBOG, DENMARK. TWO OR THREE DIMENSIONAL REPRODUCTION OF CONTENTS TO BE AUTHORIZED BY DANFOSS A/S.

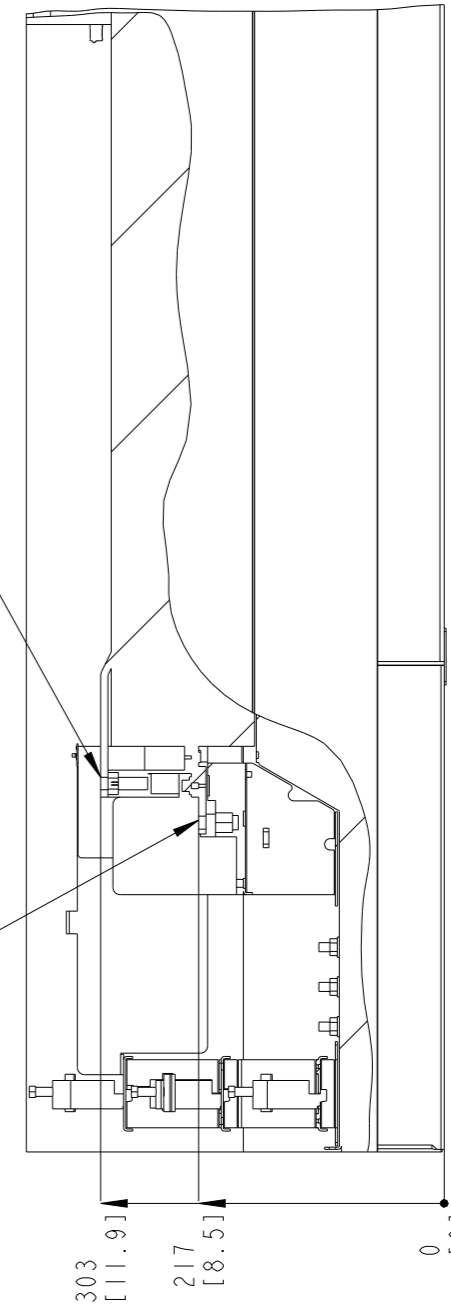
THIS DRAWING SHOWS THE MOST COMMON VERSION OF THIS PRODUCT VARIANT. SMALL DIFFERENCES MAY OCCUR DEPENDING ON THE FINAL PRODUCT CONFIGURATION.

CENTER OF GRAVITY: FOR REFERENCE ONLY, THE PRODUCT CONFIGURATION MAY INFLUENCE THE CG IN ALL THREE AXES.

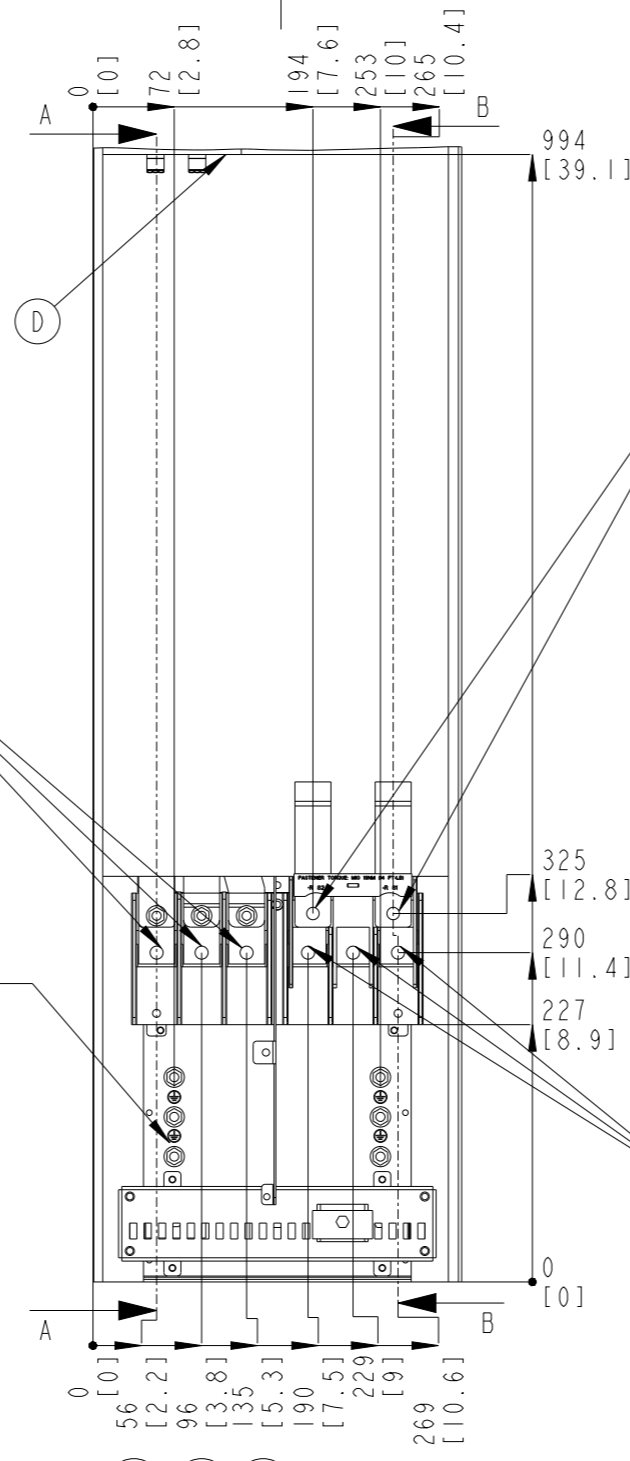
SECTION A-A
LINE TERMINALS



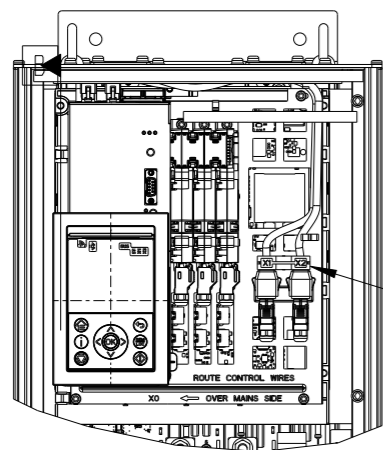
SECTION B-B
MOTOR/BRAKE/DC TERMINALS



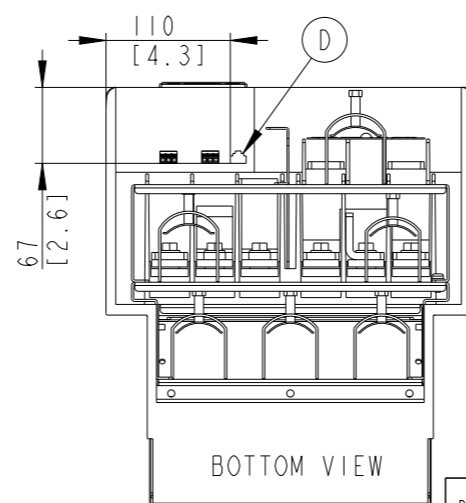
M8x20 Stud
with nut (6x)



(L1) (L2) (L3) (U) (V) (W)

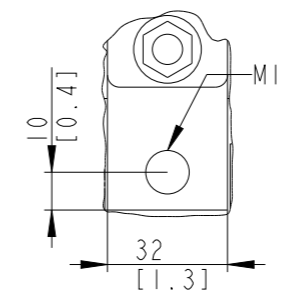


XI&X2 Connector

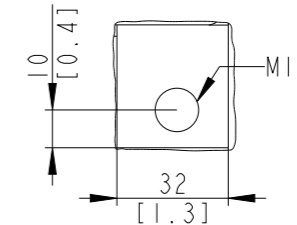


BOTTOM VIEW

LINE TERMINAL
L1, L2, L3

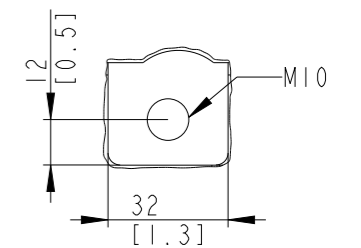


MOTOR TERMINAL
U, V, W



SCALE 1:2

BRAKE / DC TERMINAL
R+, R- DC+, DC-



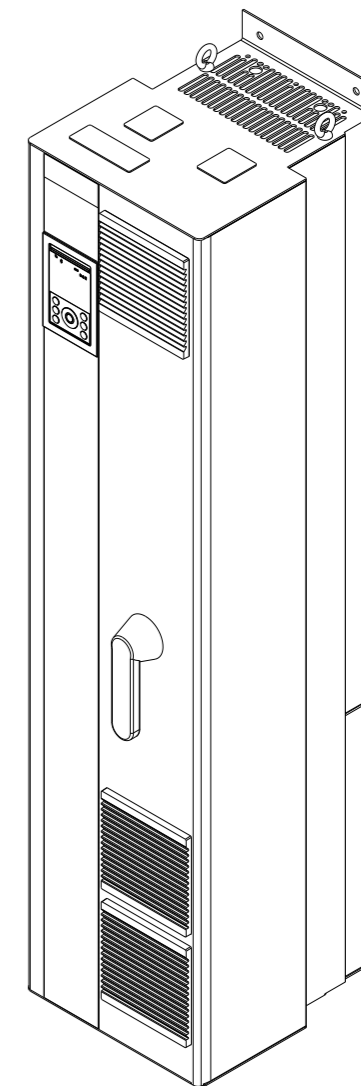
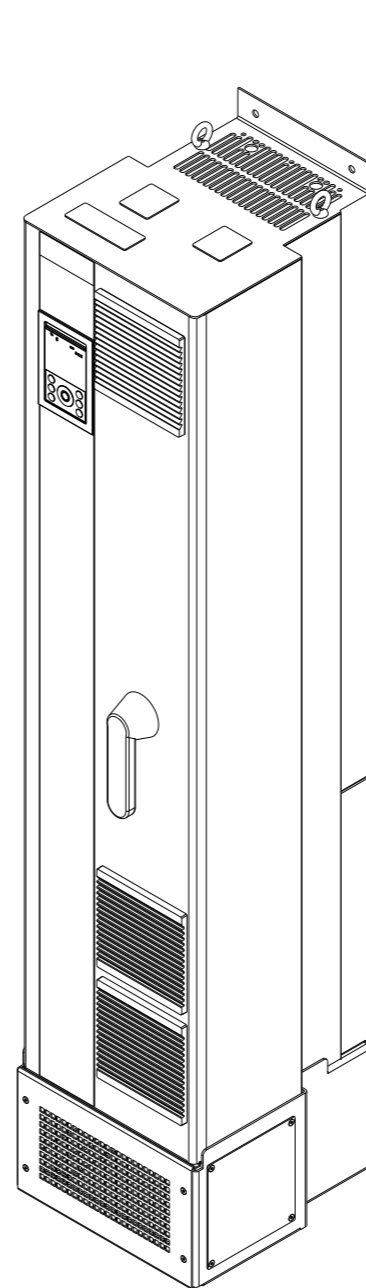
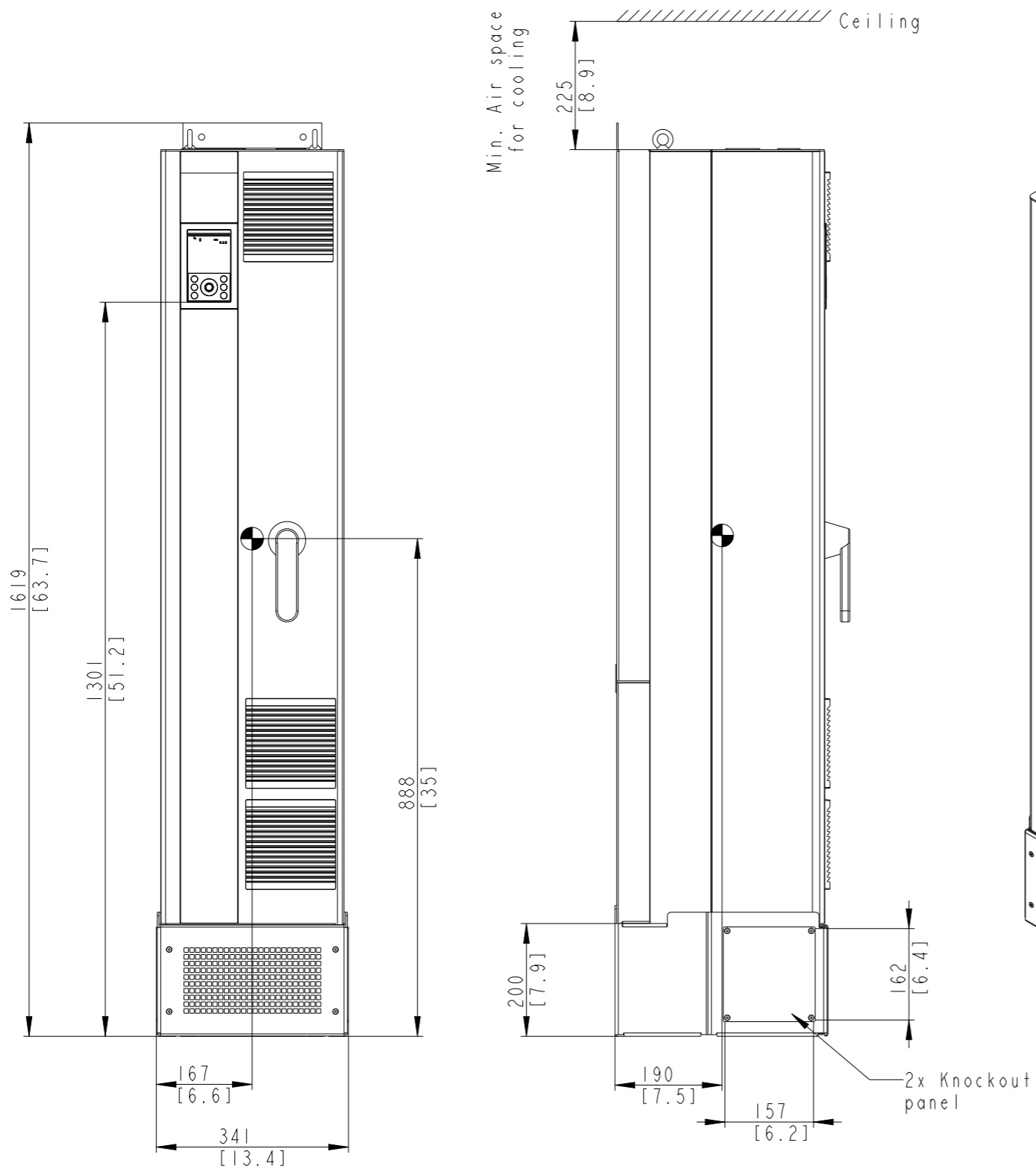
THIS DRAWING SHOWS THE MOST COMMON VERSION OF THIS PRODUCT VARIANT.
SMALL DIFFERENCES MAY OCCUR DEPENDING ON THE FINAL PRODUCT CONFIGURATION.

PROPERTY OF DANFOSS A/S NORDBORG, DENMARK. TWO OR THREE DIMENSIONAL REPRODUCTION OF
CONTENTS TO BE AUTHORIZED BY DANFOSS A/S.

DRAWING NUMBER	178r0011	REV	001
MODEL	MCAD FK09c 1P21	SHEET	2 OF 3

Optional Floor Mounting with Pedestal

Standard
(without pedestal option)



THIS DRAWING SHOWS THE MOST COMMON VERSION OF THIS PRODUCT VARIANT.
SMALL DIFFERENCES MAY OCCUR DEPENDING ON THE FINAL PRODUCT CONFIGURATION.

PROPERTY OF DANFOSS A/S NORDBOG, DENMARK. TWO OR THREE DIMENSIONAL REPRODUCTION OF
CONTENTS TO BE AUTHORIZED BY DANFOSS A/S.

DRAWING NUMBER	178r0011	REV	001
MODEL	MCAD FK09c 1P21	SHEET	3 OF 3