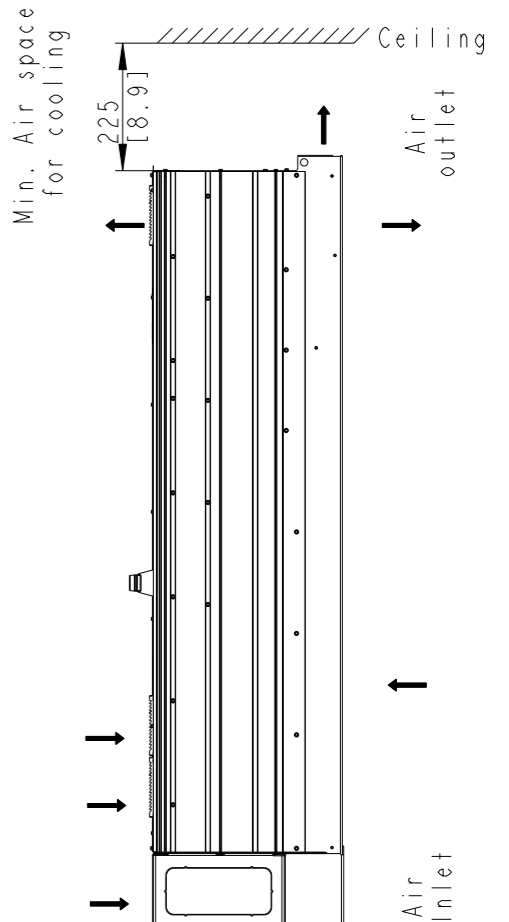
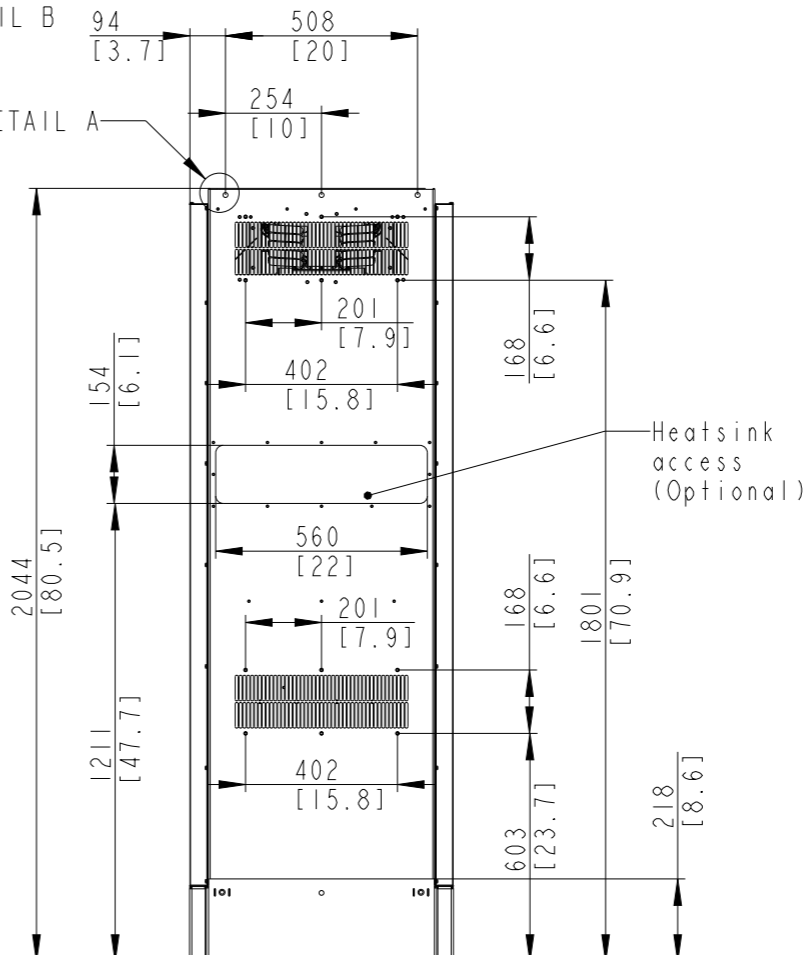
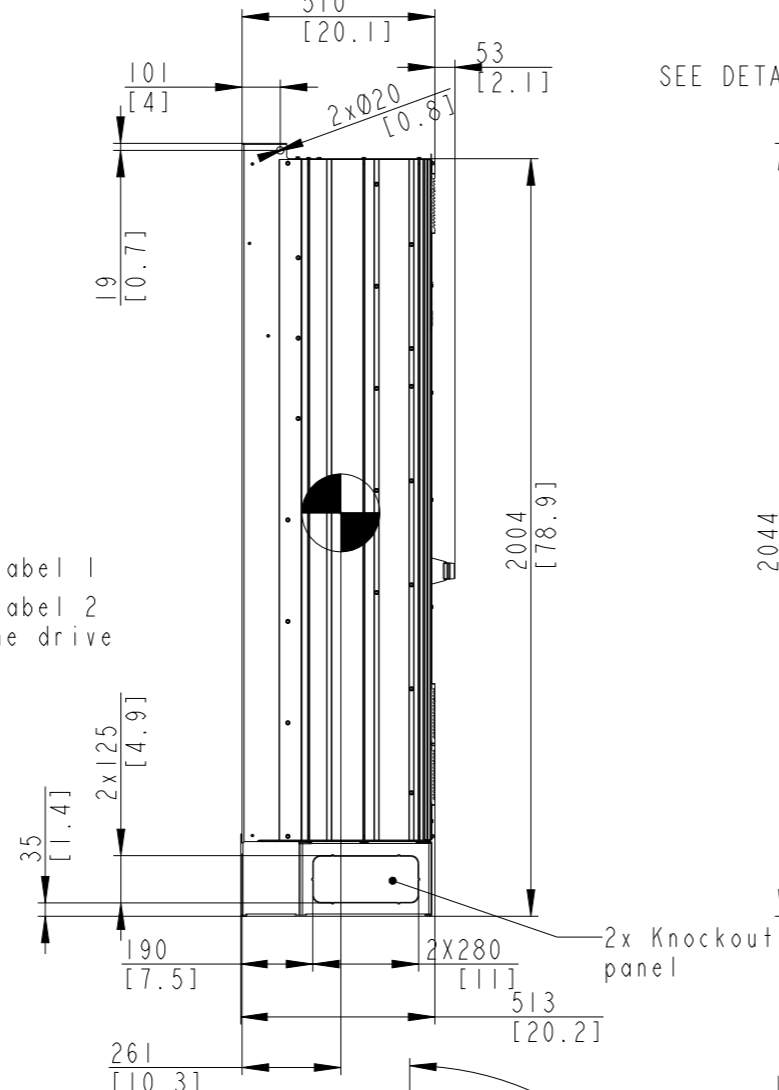
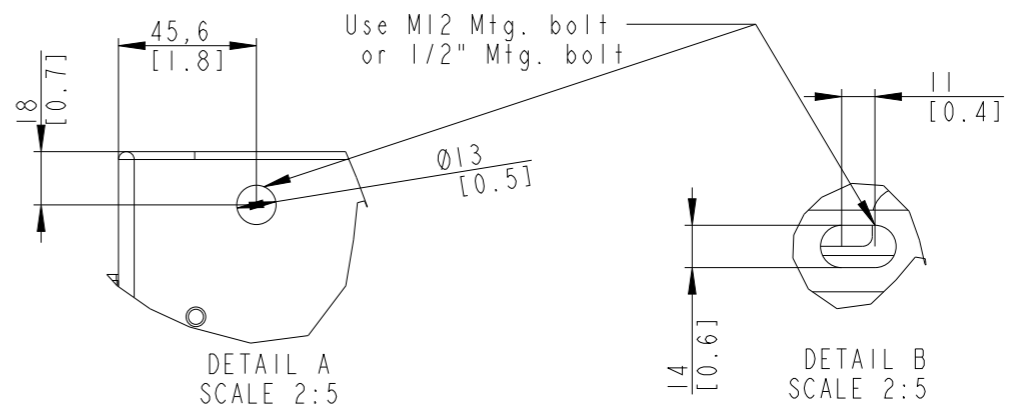
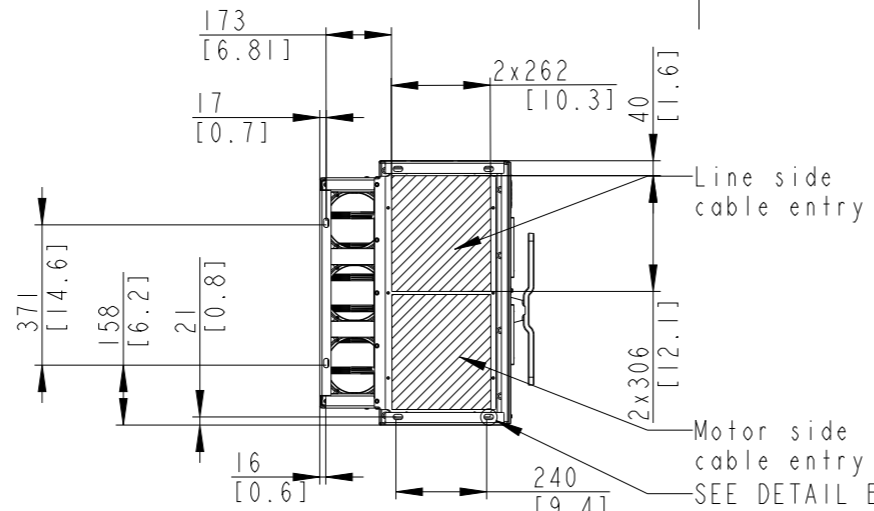
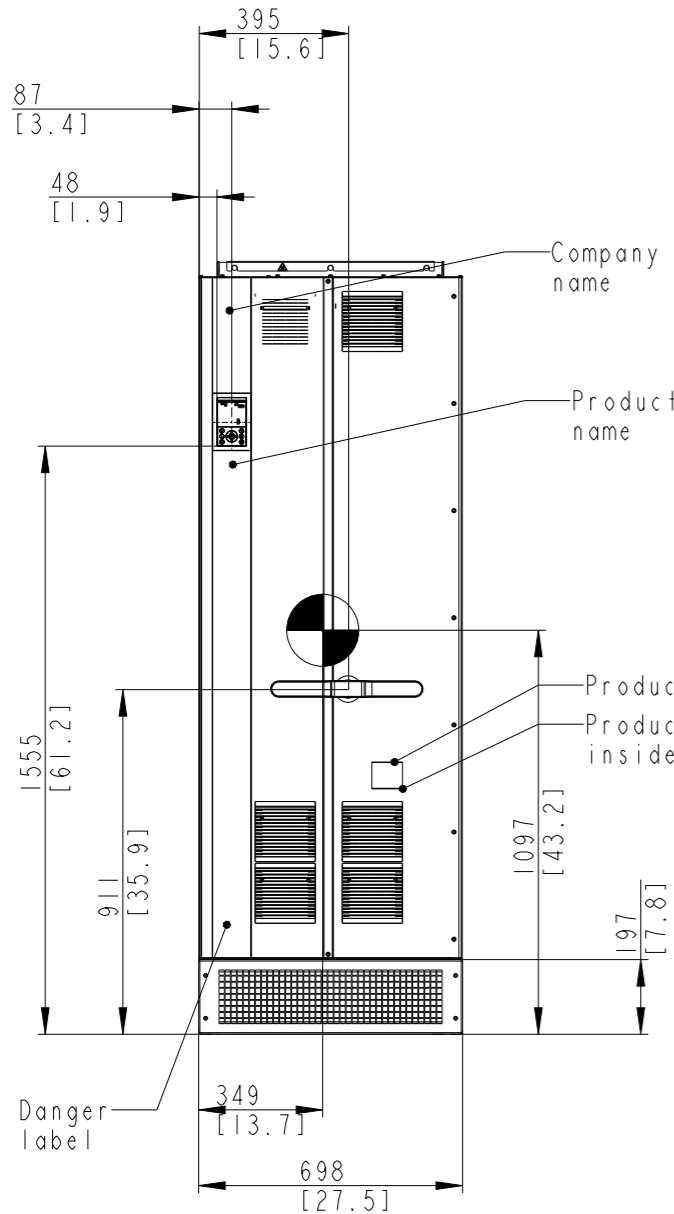


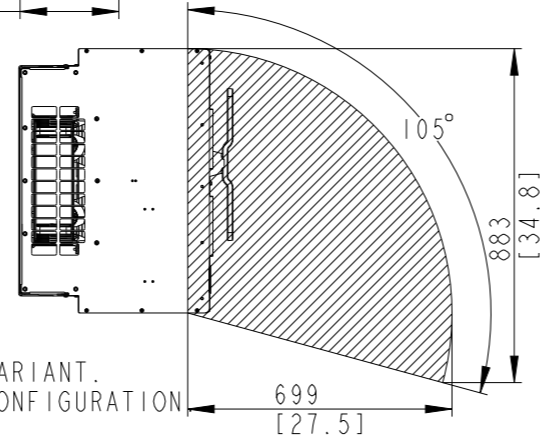
Type	Value
Max Weight	327kg/721lb
IP Class	IP54
UL Type	Type I2



Position of connectors	
A	Line
B	Motor
C	Brake
D	Interface X0
E	Interface XI/X2
F	Grounding connections

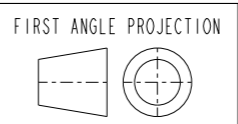
THIS DRAWING SHOWS THE MOST COMMON VERSION OF THIS PRODUCT VARIANT. SMALL DIFFERENCES MAY OCCUR DEPENDING ON THE FINAL PRODUCT CONFIGURATION

CENTER OF GRAVITY: FOR REFERENCE ONLY, THE PRODUCT CONFIGURATION MAY INFLUENCE THE CG IN ALL THREE AXES.



1. MAX AIRFLOW (BACKCHANNEL) - 1206m³/hr (710CFM)
2. MAX AIRFLOW (CABINET) - 1020m³/hr (600CFM)

UNLESS OTHERWISE SPECIFIED THE TOLERANCE IS ±0.1MM [0.4 INCH]. ALL DIMENSIONS ARE IN MILLIMETERS [INCH]



SCALE 1:20
DRAWING SIZE A3

MATERIAL	-
FINISH	-

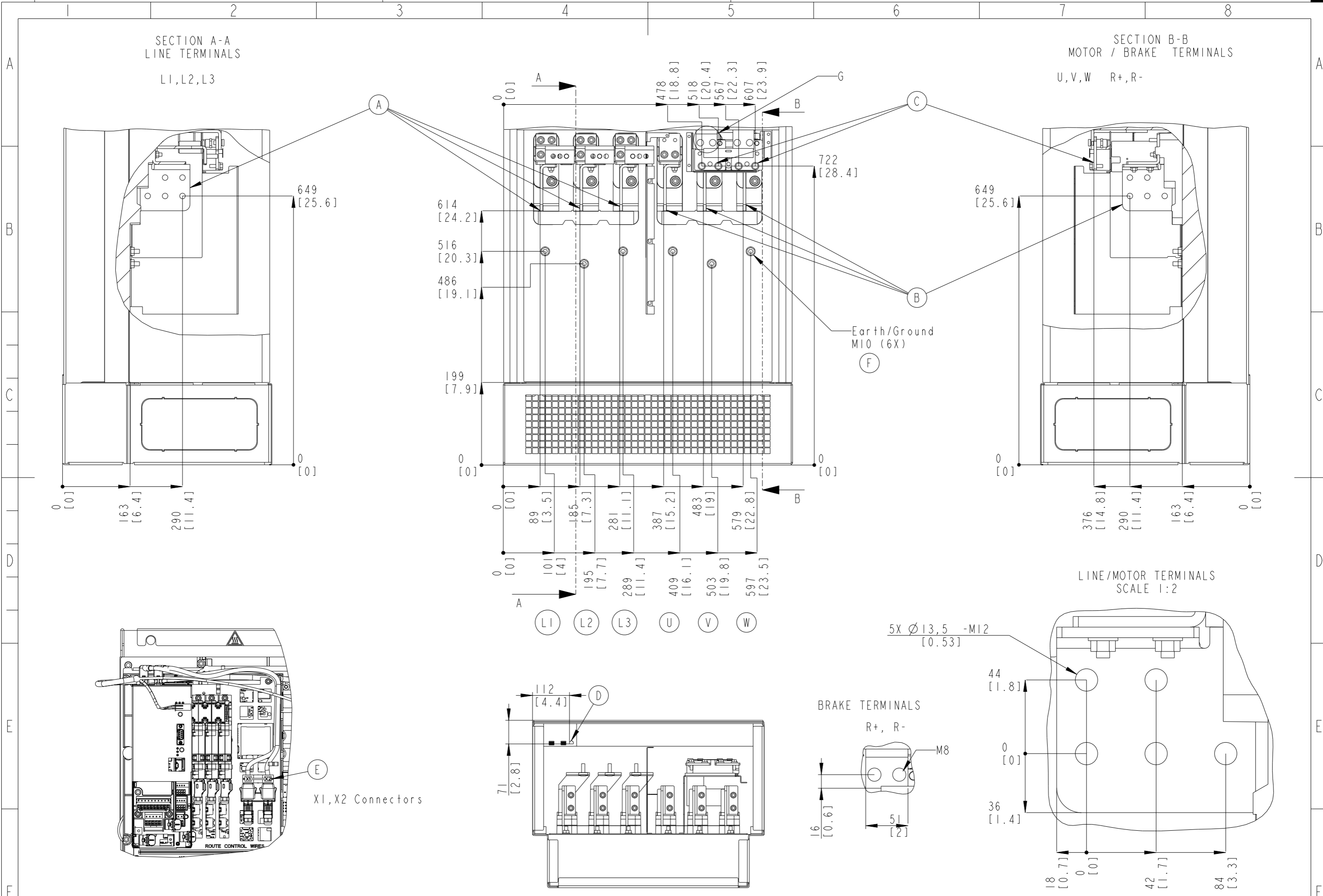
CHANGED		
DESIGNED	Kishore	05/22/23
CHECKED		



DESCRIPTION	
MCAD FB12 IP54	

PROPERTY OF DANFOSS A/S NORDBORG, DENMARK. TWO OR THREE DIMENSIONAL REPRODUCTION OF CONTENTS TO BE AUTHORIZED BY DANFOSS A/S.

DRAWING NUMBER	178r0023	REV	001
MODEL	MCAD FB12 IP54	SHEET	1 OF 2



THIS DRAWING SHOWS THE MOST COMMON VERSION OF THIS PRODUCT VARIANT.
 SMALL DIFFERENCES MAY OCCUR DEPENDING ON THE FINAL PRODUCT CONFIGURATION.

PROPERTY OF DANFOSS A/S NORDBOG, DENMARK. TWO OR THREE DIMENSIONAL REPRODUCTION OF
 CONTENTS TO BE AUTHORIZED BY DANFOSS A/S.

DRAWING NUMBER	178r0023	REV	001
MODEL	MCAD FB12 IP54	SHEET	2 OF 2