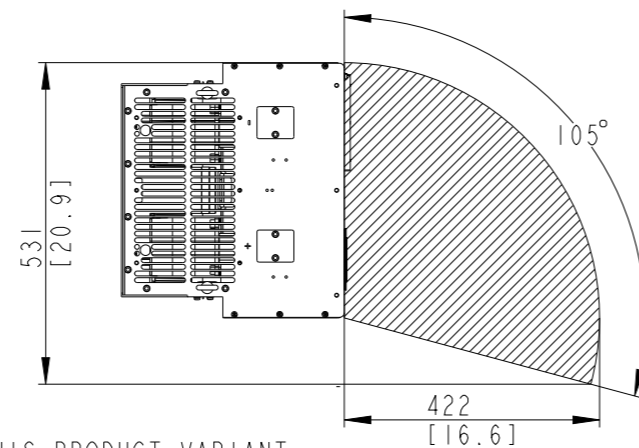
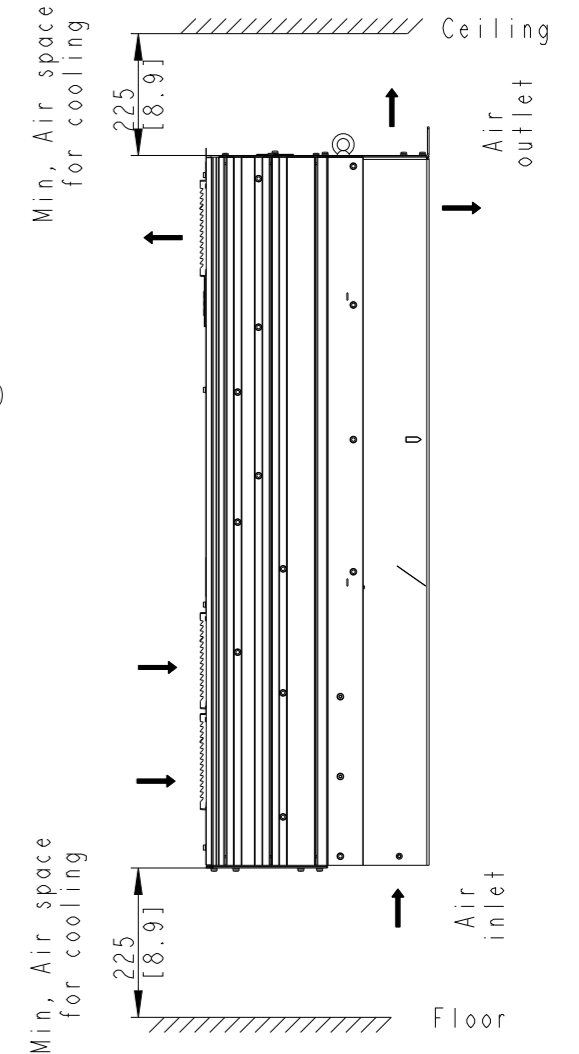
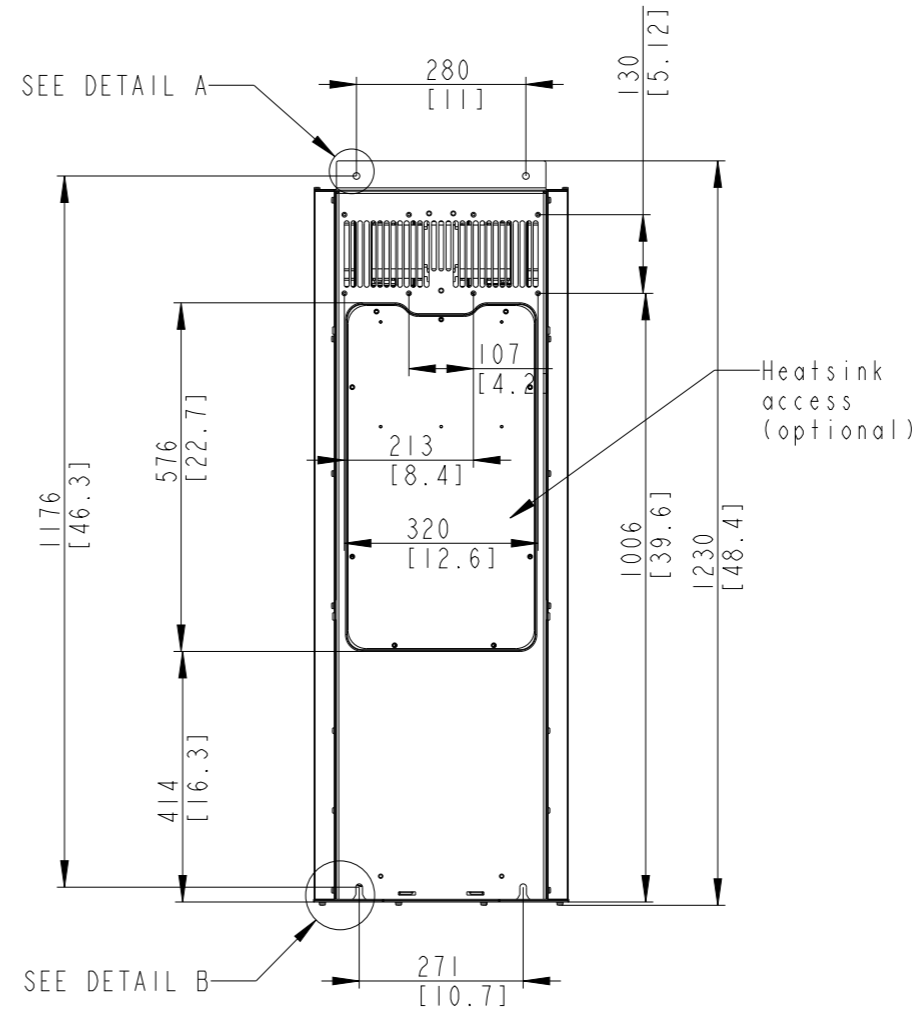
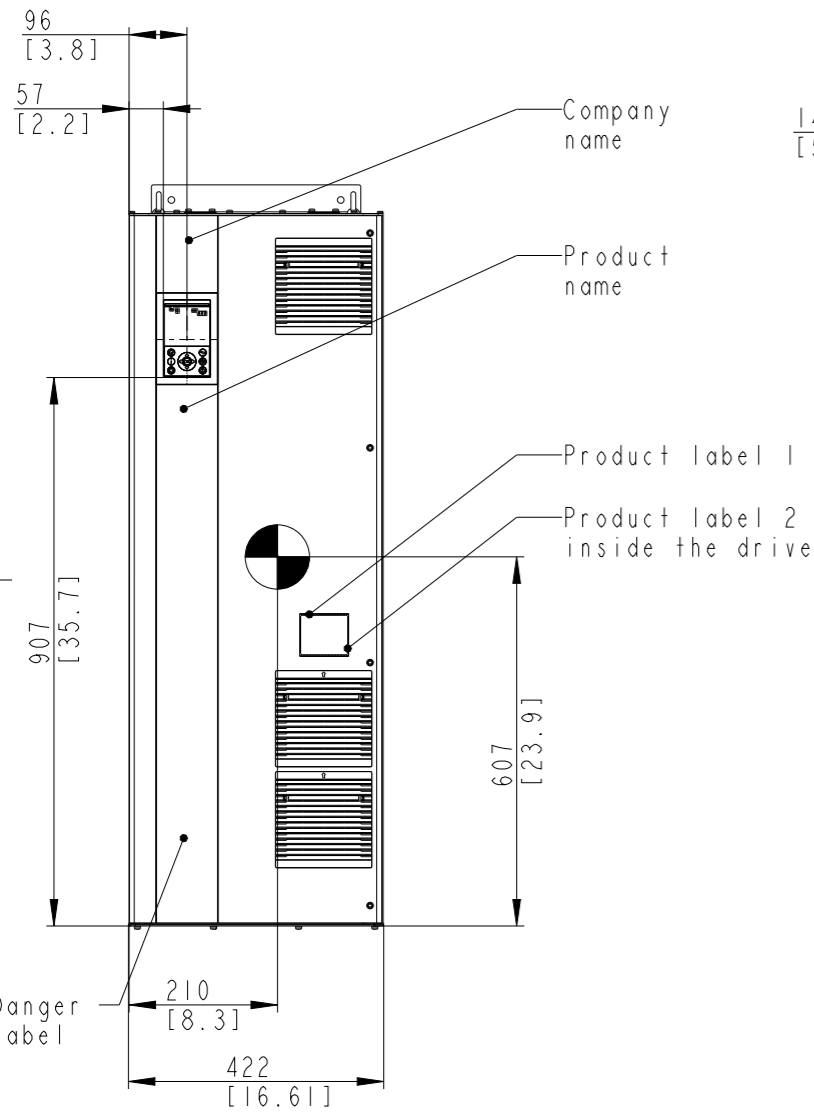
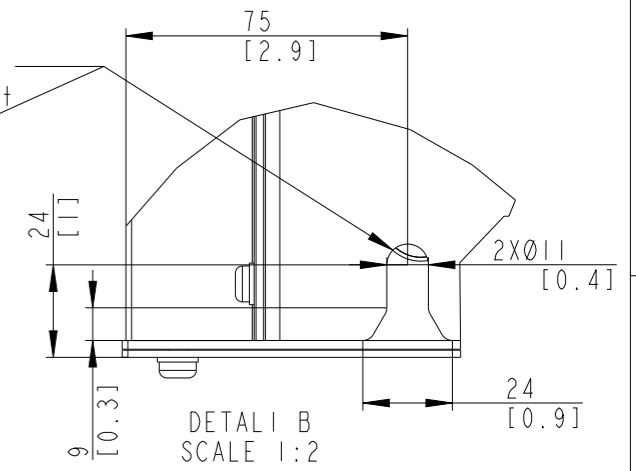
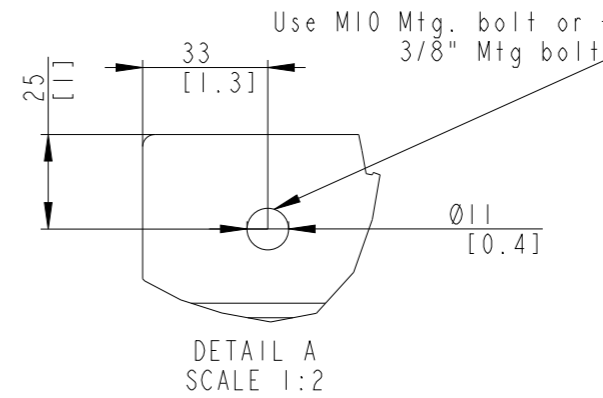
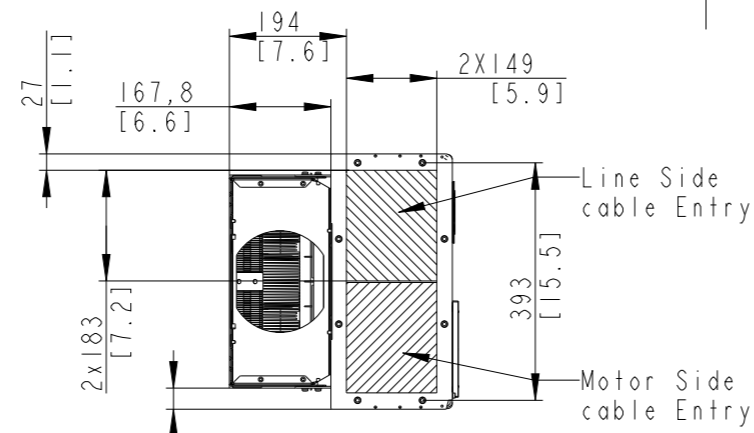


Type	Value
Max Weight	139kg/306lb
IP Class	IP54
UL Type	Type 12



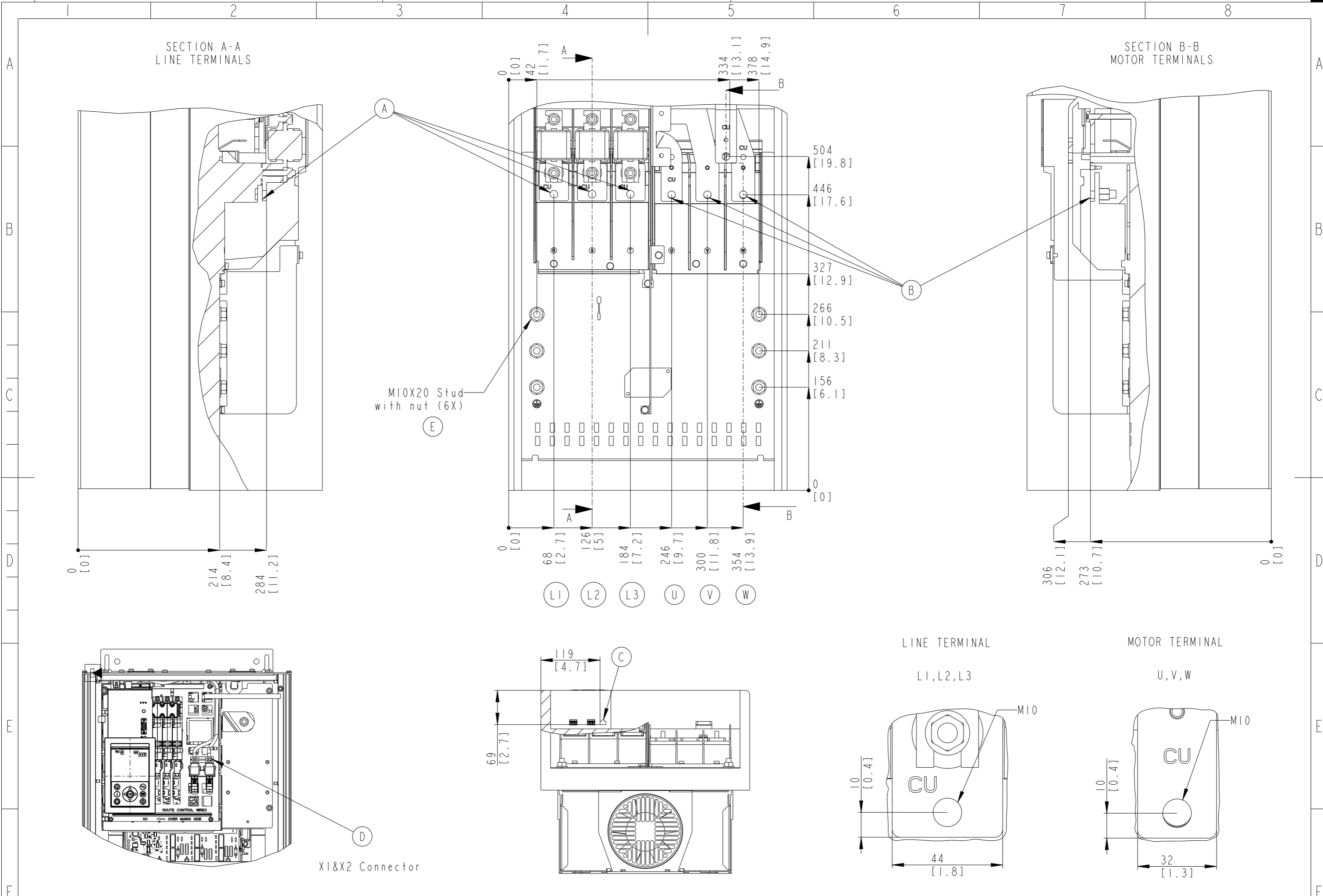
Position of connectors	
A	Line
B	Motor
C	Interface X0
D	Interface XI/X2
E	Grounding connections

THIS DRAWING SHOWS THE MOST COMMON VERSION OF THIS PRODUCT VARIANT. SMALL DIFFERENCES MAY OCCUR DEPENDING ON THE FINAL PRODUCT CONFIGURATION.

CENTER OF GRAVITY: FOR REFERENCE ONLY, THE PRODUCT CONFIGURATION MAY INFLUENCE THE CG IN ALL THREE AXES.

1. MAX AIRFLOW (BACKCHANNEL) - 638m³/hr (375CFM)
2. MAX AIRFLOW (CABINET) - 204m³/hr (120CFM)

UNLESS OTHERWISE SPECIFIED THE TOLERANCE IS ±0.1MM [0.4 INCH]. ALL DIMENSIONS ARE IN MILLIMETERS [INCH]		FIRST ANGLE PROJECTION	SCALE 1:4	DRAWING SIZE A3	MATERIAL -
					FINISH -
					DESCRIPTION
					MCAD FB10a IP54
CHANGED					DRAWING NUMBER 178r0024
DESIGNED	Kishore	05/22/23			REV 001
CHECKED					MODEL MCAD FB10a IP54
PROPERTY OF DANFOSS A/S NORDBOG, DENMARK. TWO OR THREE DIMENSIONAL REPRODUCTION OF CONTENTS TO BE AUTHORIZED BY DANFOSS A/S.					SHEET 1 OF 3



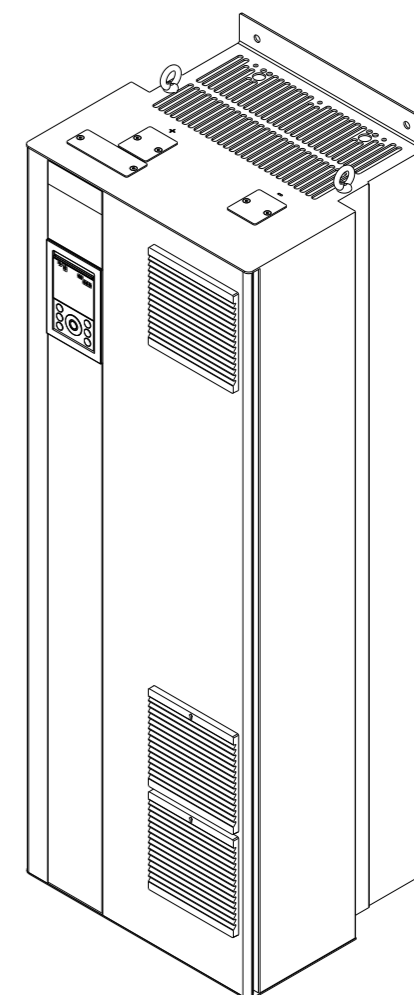
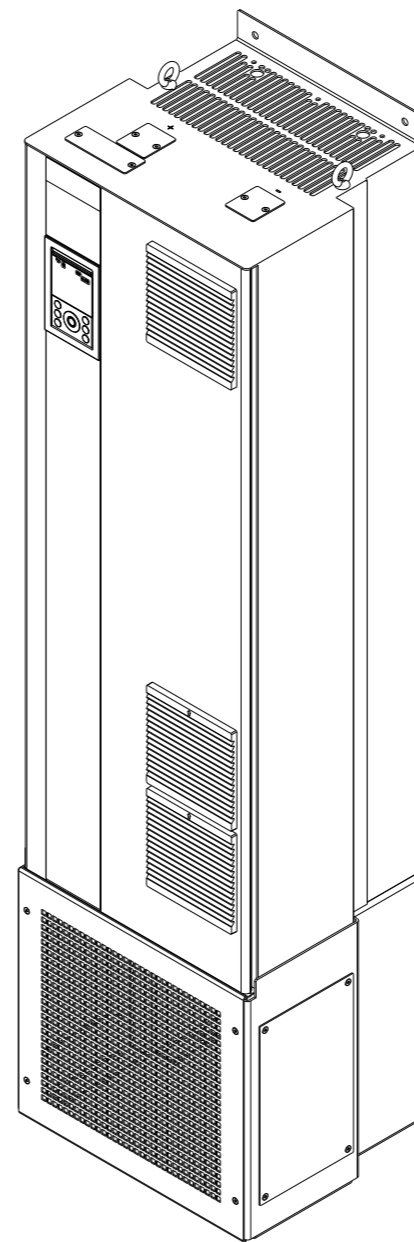
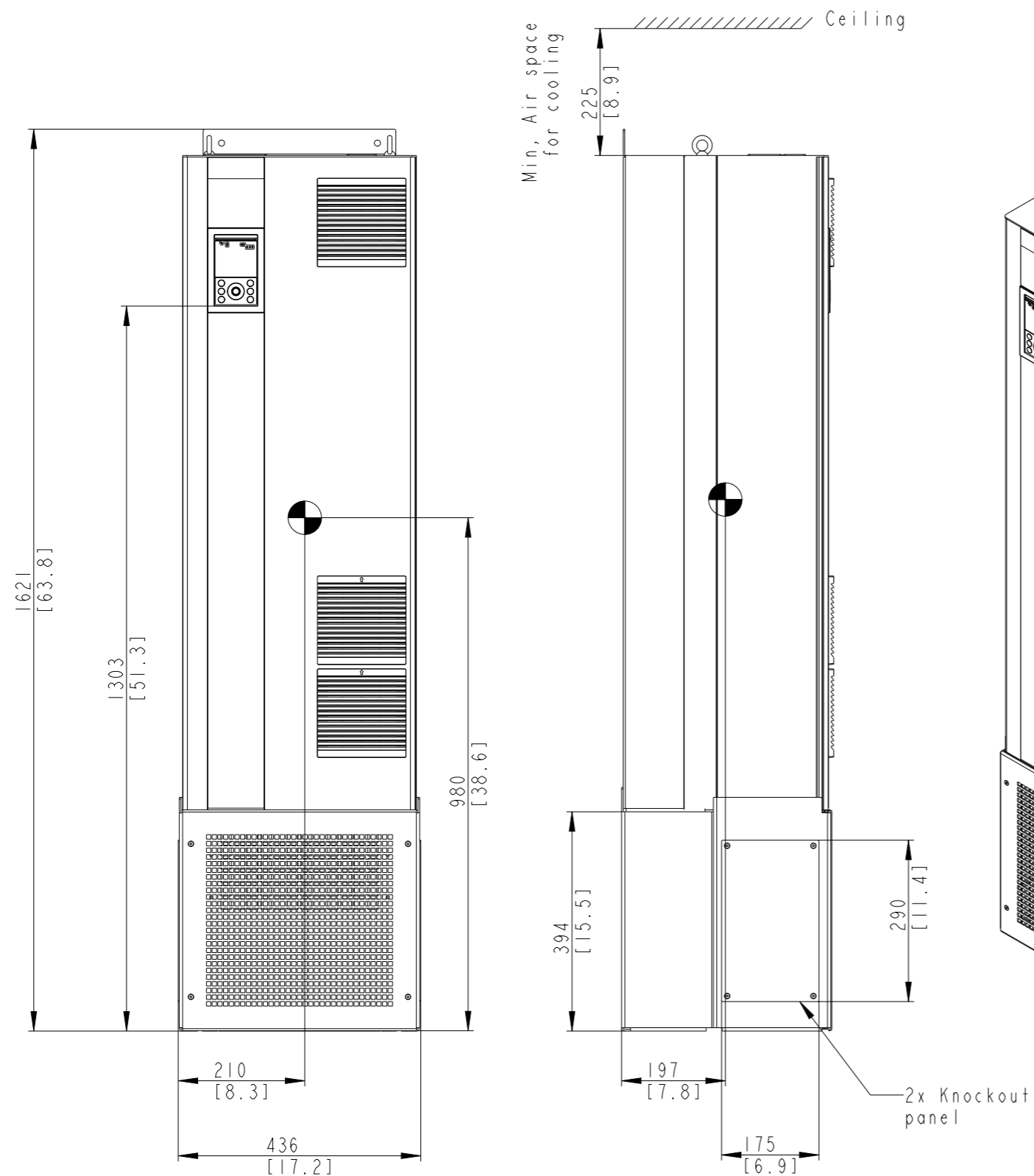
THIS DRAWING SHOWS THE MOST COMMON VERSION OF THIS PRODUCT VARIANT.
SMALL DIFFERENCES MAY OCCUR DEPENDING ON THE FINAL PRODUCT CONFIGURATION.

PROPERTY OF DANFOSS A/S NORDBOG, DENMARK. TWO OR THREE DIMENSIONAL REPRODUCTION OF
CONTENTS TO BE AUTHORIZED BY DANFOSS A/S.

DRAWING NUMBER	178r0024	REV	001
	MCAD FB10a IP54	SHEET	2 OF 3

Optional Floor mounting with Pedestal

Standard
(Without Pedestal option)



THIS DRAWING SHOWS THE MOST COMMON VERSION OF THIS PRODUCT VARIANT.
SMALL DIFFERENCES MAY OCCUR DEPENDING ON THE FINAL PRODUCT CONFIGURATION.

PROPERTY OF DANFOSS A/S NORDBORG, DENMARK. TWO OR THREE DIMENSIONAL REPRODUCTION OF
CONTENTS TO BE AUTHORIZED BY DANFOSS A/S.

DRAWING NUMBER	178r0024	REV	001
MODEL	MCAD FB10a IP54	SHEET	3 OF 3