

1 2 3 4 5 6 7 8

A

B

C

D

E

F

A

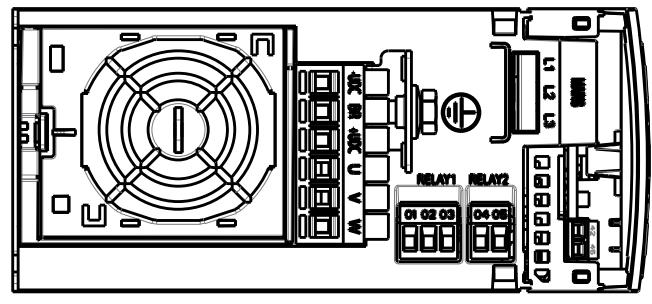
B

C

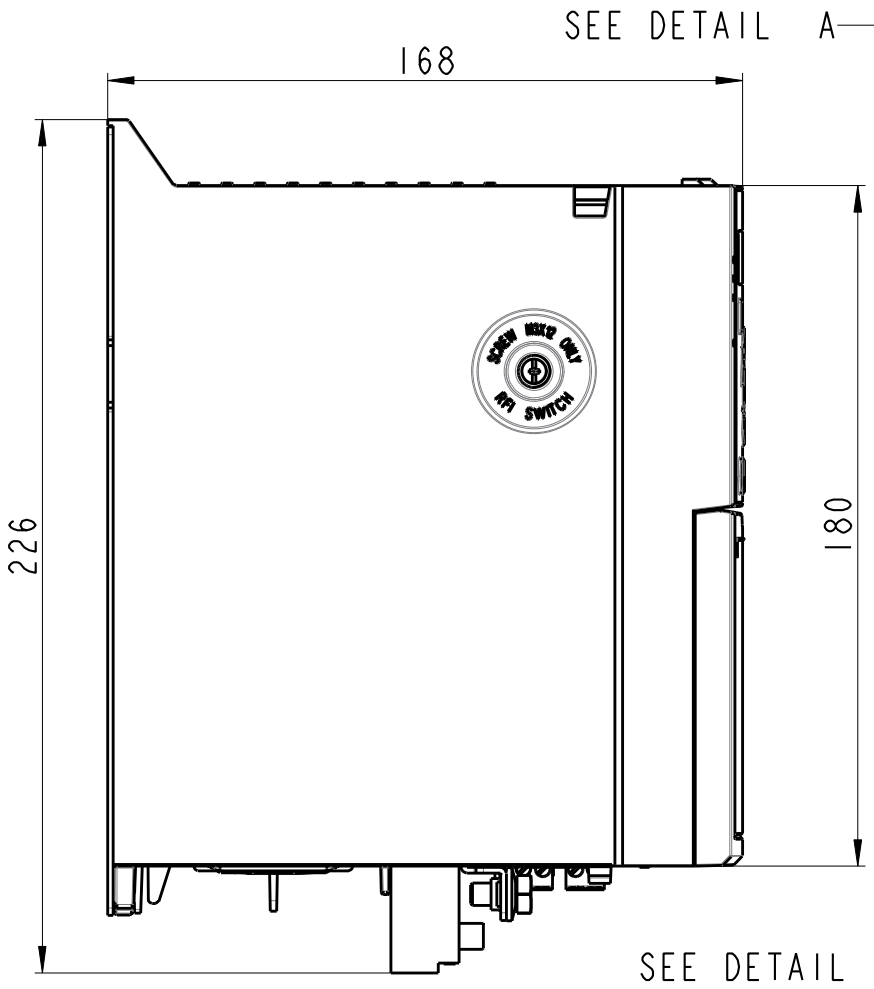
D

E

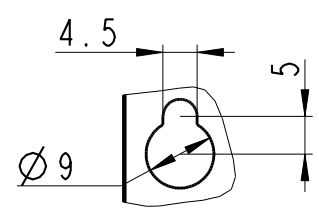
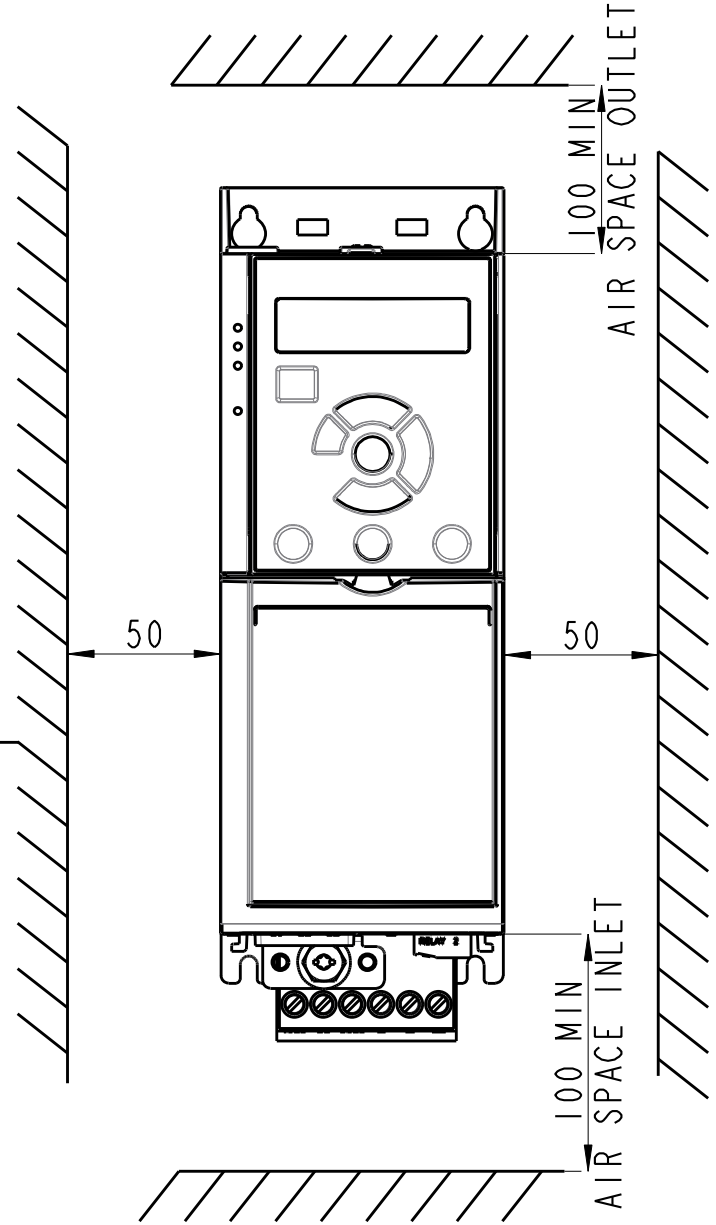
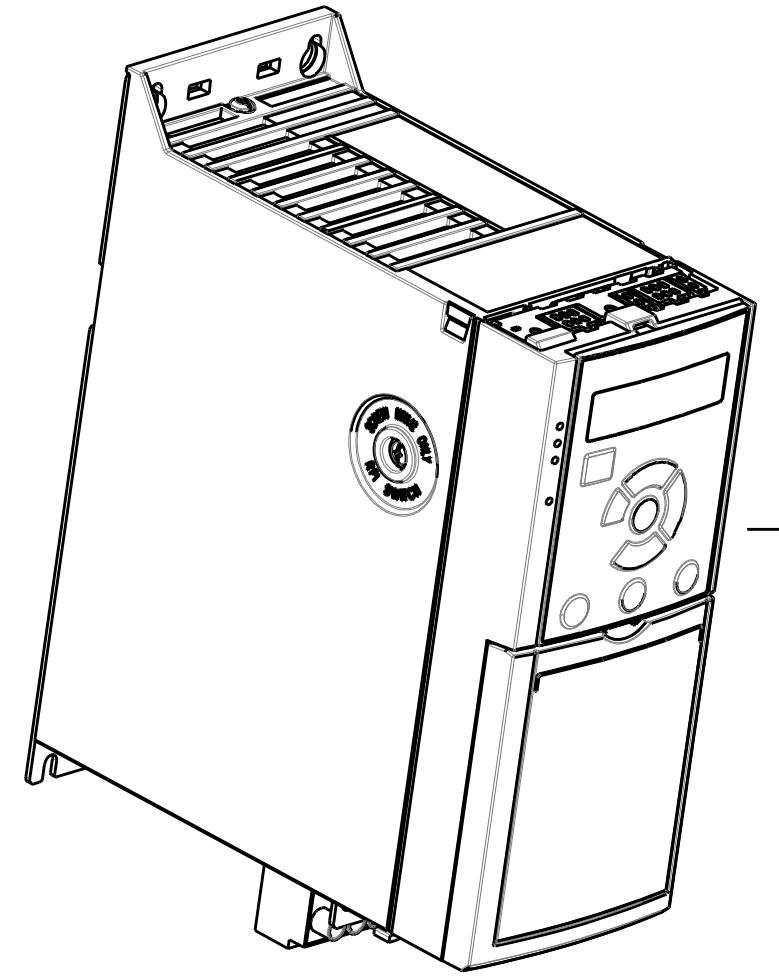
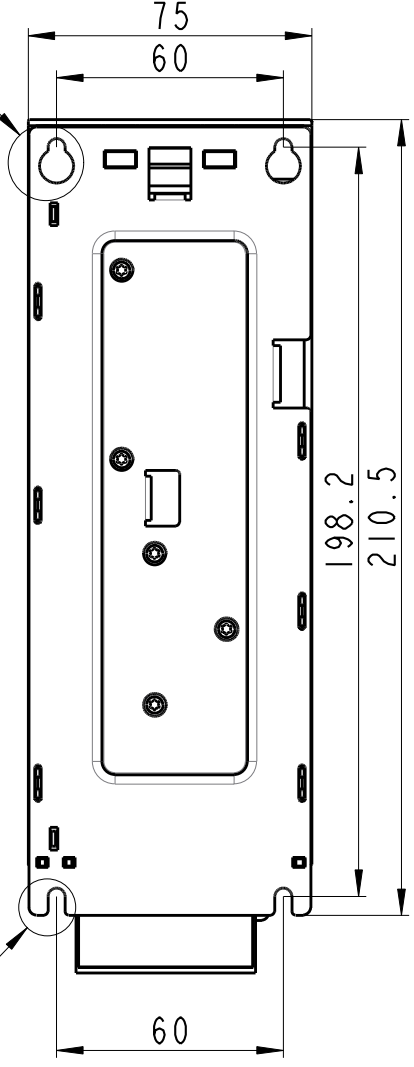
F



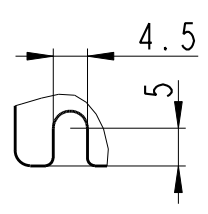
SEE DETAIL A



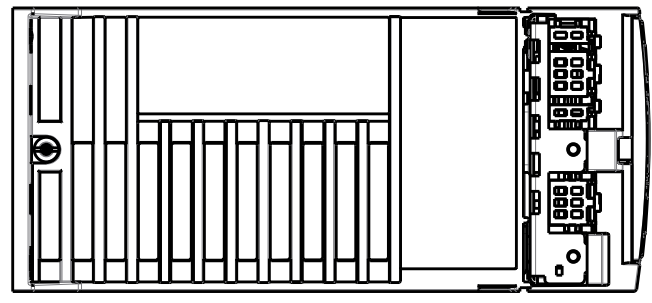
SEE DETAIL B



DETAIL A  
SCALE 1:1



DETAIL B  
SCALE 1:1



PDM controlled drawing. Hard copy not valid without frozen date in ID Stamp		Projection 	Scale 1:2	Size A3	Material
Replace				Designation / Name	
Designer				FC360_J1-IP20_OUTLINE	
				Rev.	PI
				Sheet 1 of 1	

Confidential: Property of Danfoss Power Electronics A/S, Graasten, Denmark. Not to be handed over to, copied or used by third party. Two- or three dimensional reproduction of contents to be authorized by Danfoss Power Electronics A/S.

Model: FC360\_J1-IP20\_PART