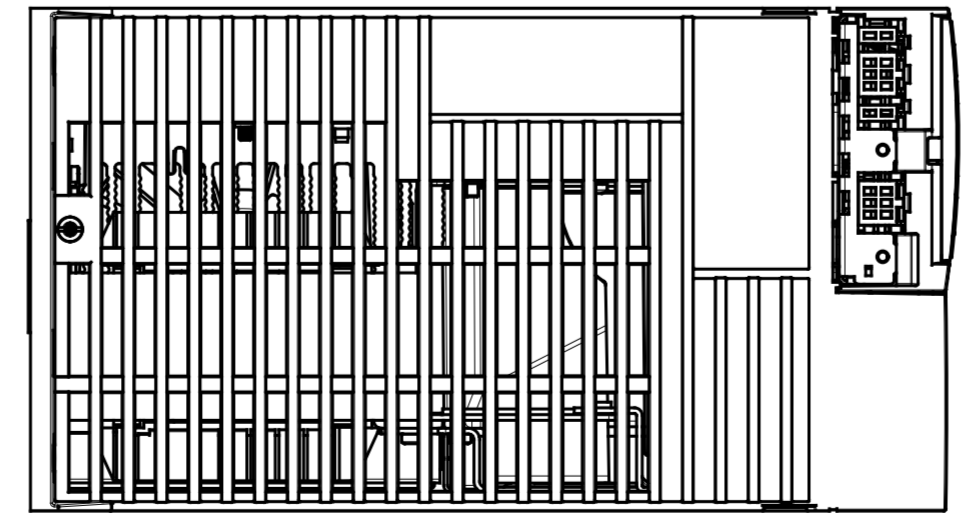
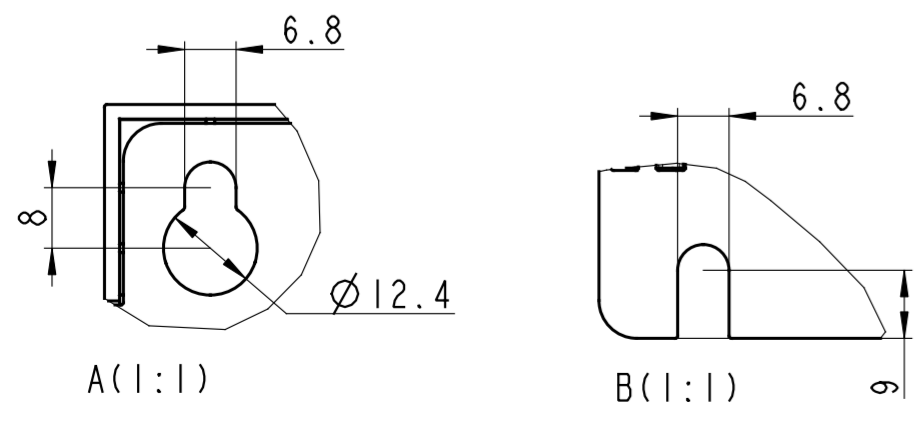


SCALE 1:5



PDM controlled drawing. Hard copy not valid without frozen date in ID Stamp		Projection 	Scale 1:2	Size A2	Material
					Designation \ Name FC360_J4-IP20_OUTLINE
Replace Designer	2013-02-08				No. FC360_J4-IP20_OUTLINE
Confidential: Property of Danfoss Power Electronics A/S, Graasten, Denmark. Not to be handed over to, copied or used by third party. Two- or three dimensional reproduction of contents to be authorized by Danfoss Power Electronics A/S.					Sheet 1 of 1

Made in: FC360_J4-IP20_OUTLINE.PART