

IP54 IP00

Max. length 1500 mm
in both ends, cables
can be cut if necessary

Alternative thermal protector,
switching temperature 150C,
normally closed. Not needed in
iC7 installation.

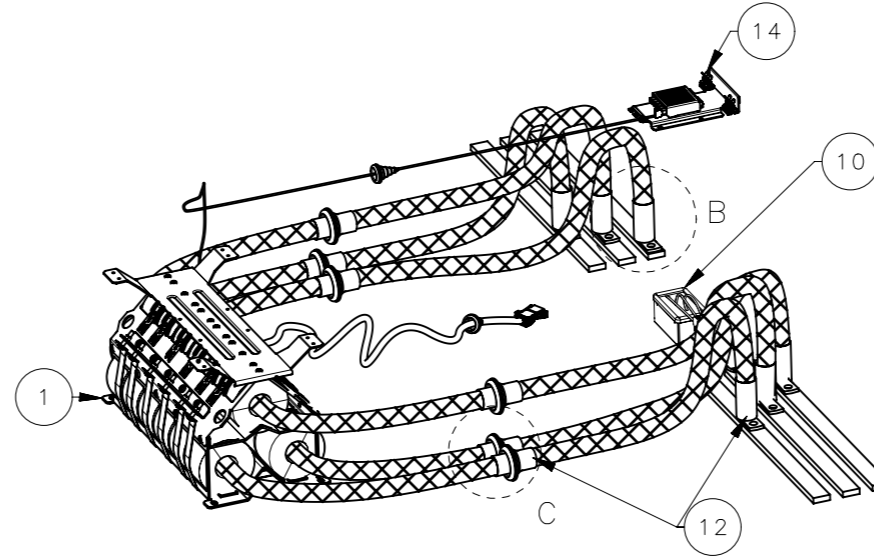
Accessory box (172K0150) includes all
needed material to modify the cables.

Example busbars
not included
in delivery

Required air flow 3 m/s

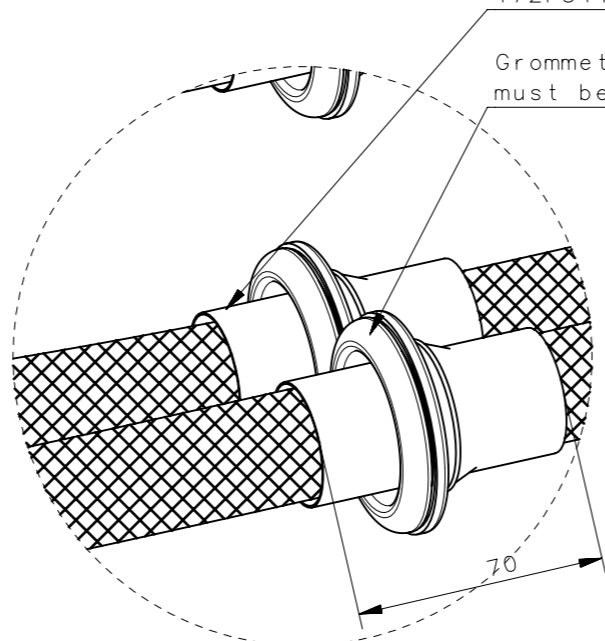
Required air flow 3 m/s

Required air flow 3 m/s



Drive side
of the filter

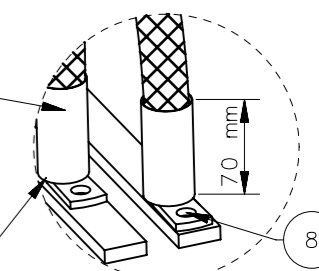
Motor side
of the filter



DETAIL C (SCALE 1:2)

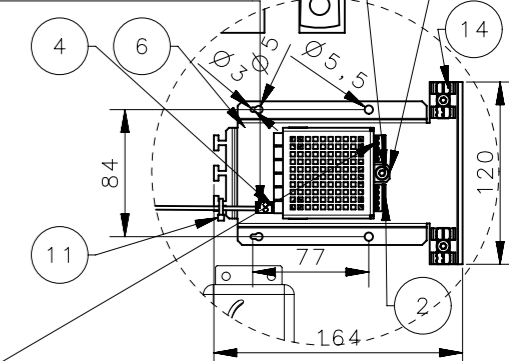
Heat shrink tube,
adhesive type,
172F3442

Silicone sleeve &
protection sleeve
not allowed to be
placed on top of
cable lug



DETAIL B (SCALE 1:5)

X206 connector
1500 mm long cable from choke
can be cut if necessary



DETAIL A (SCALE 1:5)

13 X86 connector
Connect here 3 m long AuxBus Cable (172F5480,
included in Accessory bag 172F5440)
Cable can be cut if necessary

Item	Qty	Description / Name	Item Number
14	2	Shield Relief Plate	70CTC1110368
13	1	AuxBus Cable 3m	172F5480
12	12	Heat shrinkable tubing, SHRINK TUBE 32mm, black, adhesive	172F3442
11	1	Cable tie 2	MC00068
10	1	dU/dt-filter capacitor assembly 164nF 2kVdc 700Vac	70CPE11742
9	1	MR8/MR10c dU/dt filter capacitor cable	172F3033
8	6	Tubular cable lug 90° angle, 150 mm2 with narrow flange	172F0084
7	6	Cable Grommet M50	70CMR00164
6	1	Assembly plate	70CTC1114624
5	1	Slide cover	70CTC1112514
4	1	AuxBus temperature measurement board	70CVB02148
3	6	M4x8_combi_ISO14583_TX_Delta	MC00032
2	2	MC 1,5/ 5-ST-3,5 BK	70CPE11321
1	1	Loose dU/dt-filter choke, 880A	172F8317

All dimensions are in Millimeters Unspecified tolerance according to: -		Projection	Size	A3	Material: -	
			Thickness	-	Finish: -	
			Mass	-	Kg	
Other dimensions acc. to 3D-model					Description / Name	
Replace	-				MCAD-0F7U1-M-AF-05-880A-TA-E00-F4	
Designer	Danfoss 05-Apr-2023					
Modifier	-					
Confidential: Property of Danfoss and its subsidiaries. Not to be copied, handed over to or used by third party. Two- or three dimensional reproduction of content to be authorized by Danfoss Drives A/S					Item Number	REV A
					Sheet	1 of 2

Changes Insert modifications here