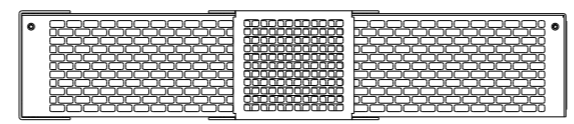
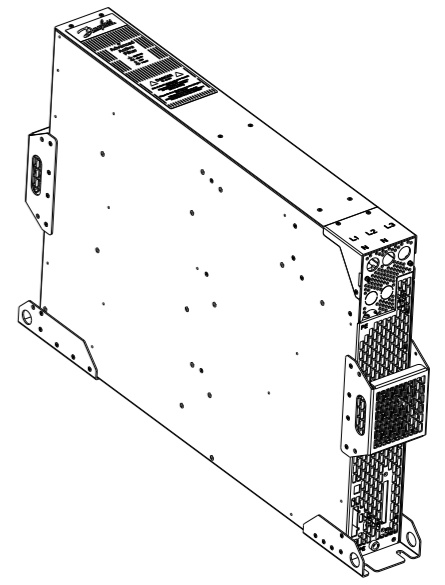
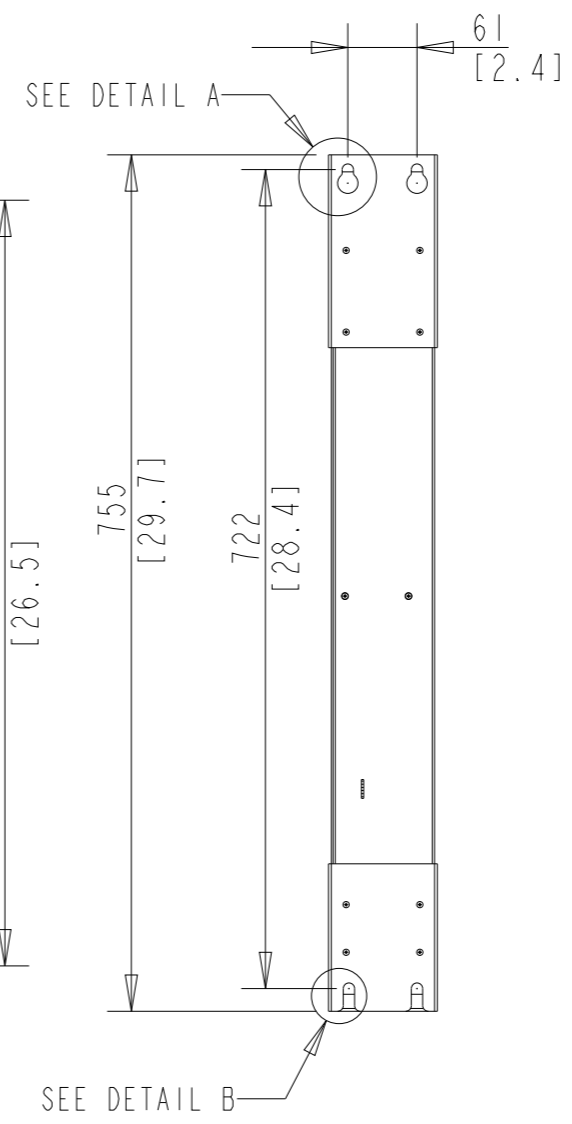
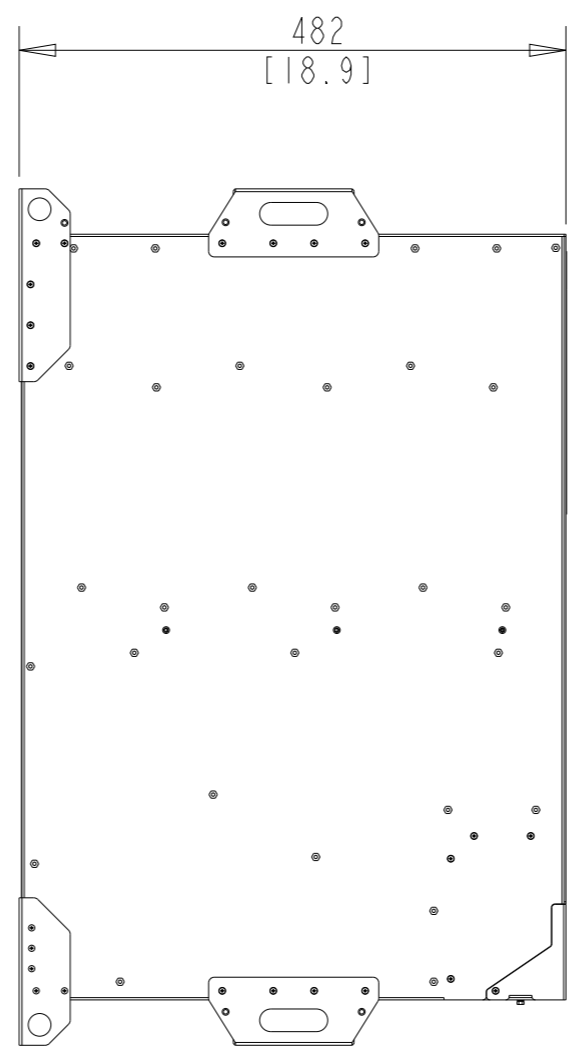
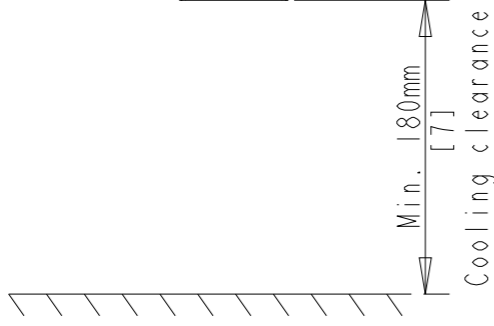
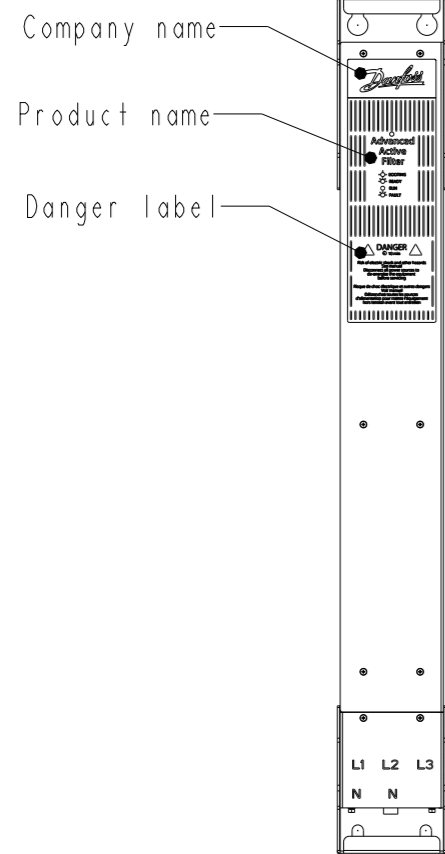
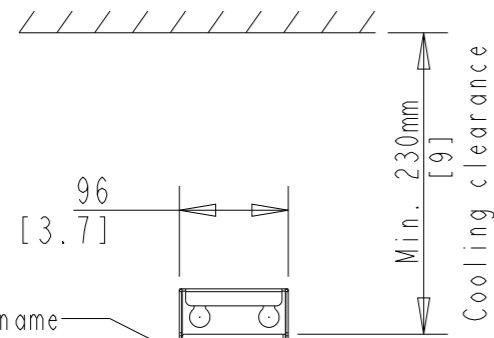
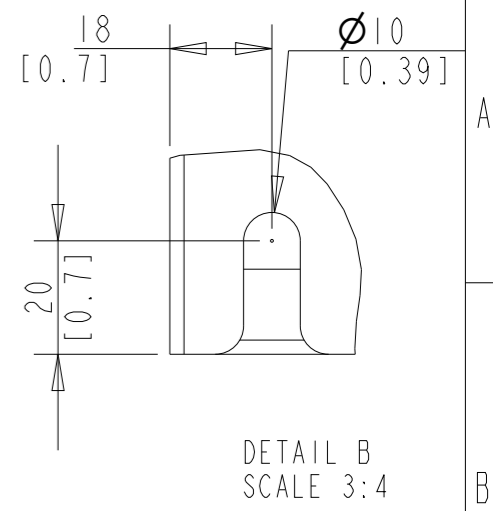
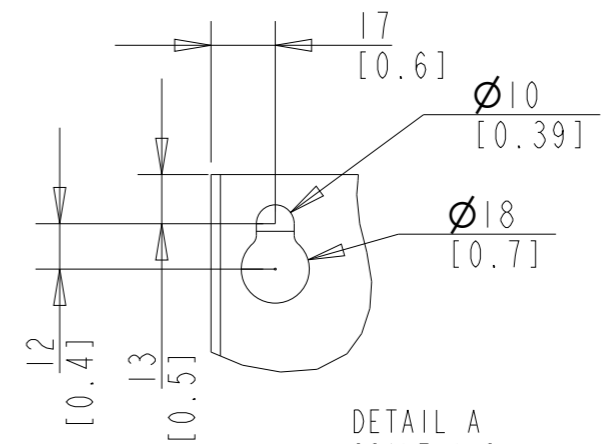
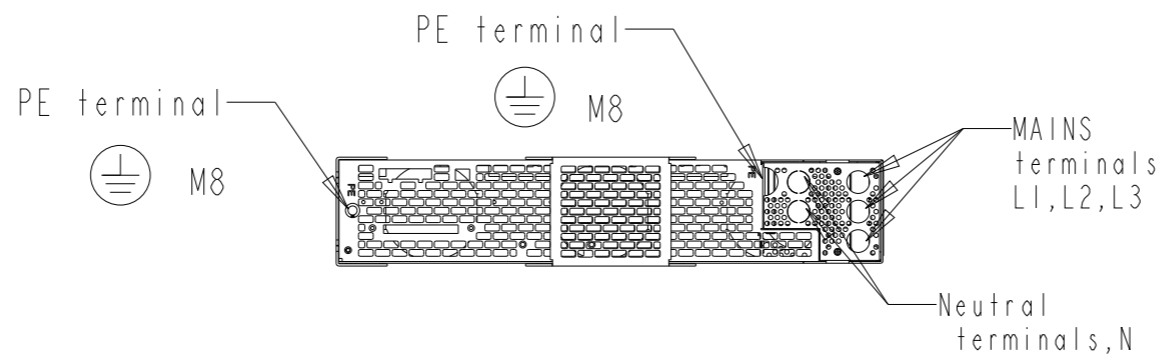


Type	Value
Weight	33kg/72.7lbs
IP class	IP20
UL type	Open
Frame	AAF02



Tolerances (mm)					
Dimension	<250	250>x>800	800	Parts in series	Folded Parts
Tolerance	+/-1	+/-2.5	+/-4	+/-2.5	+/-2.5

All dimensions are in Millimeters Unspecified tolerance according to:		Projection	Mass/Kg	Material			
			Thickness				
			Size	A3	Finish		
Other dimensions acc. to 3D-model							
Replace						Designation / Name	
Designer	Danfoss	04/25/24				MCAD-AAF-007-150A-IP20	
Modifier			No.	Rev.	P		
Confidential: Property of Danfoss and its subsidiaries. Not to be copied, handed over to or used by third party. Two- or three dimensional reproduction of content to be authorized by Danfoss Drives A/S			Sheet 1 of 1				

Model: AH\_151\_W\_LABEL\_ASSEM