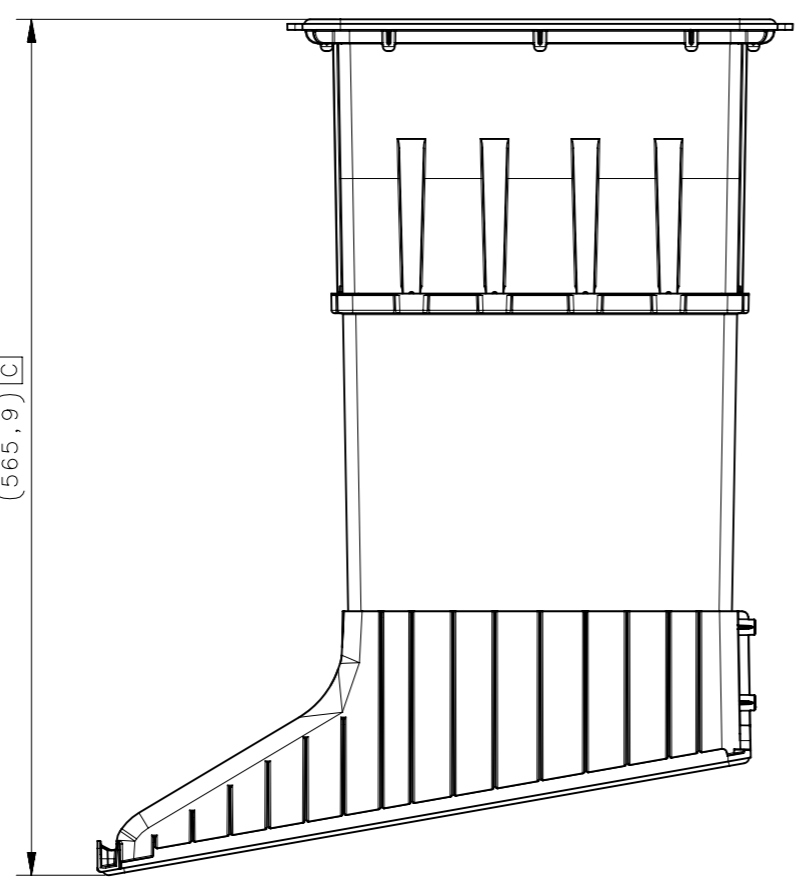
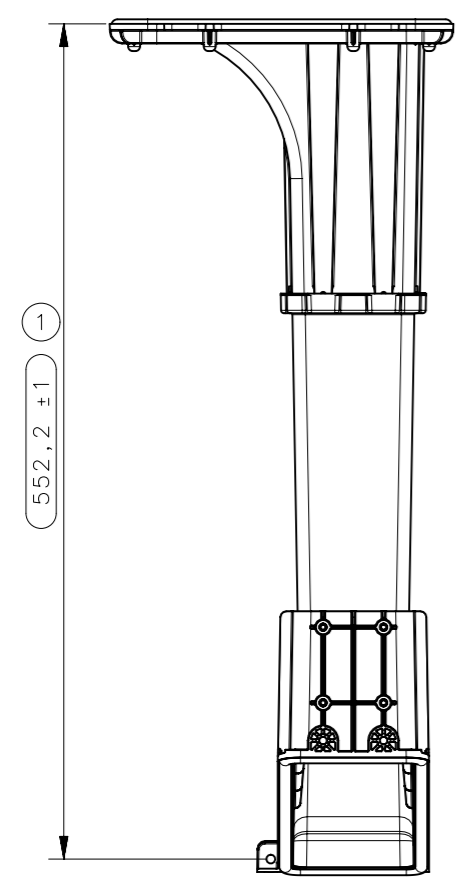


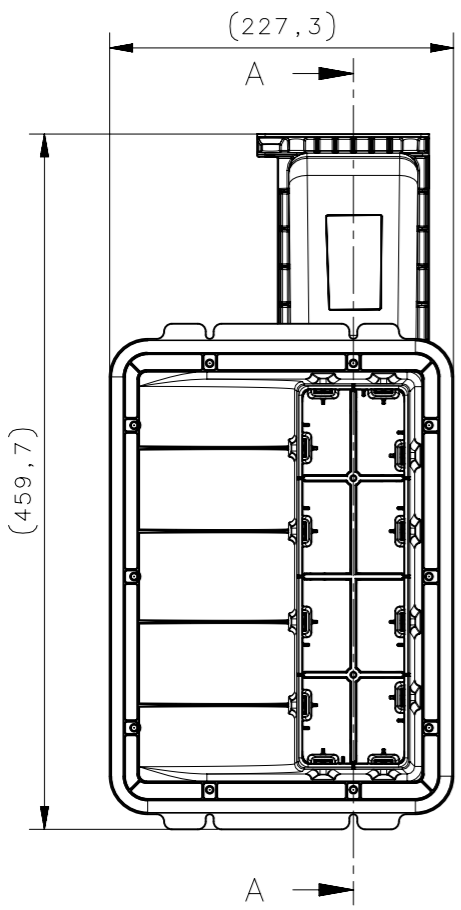
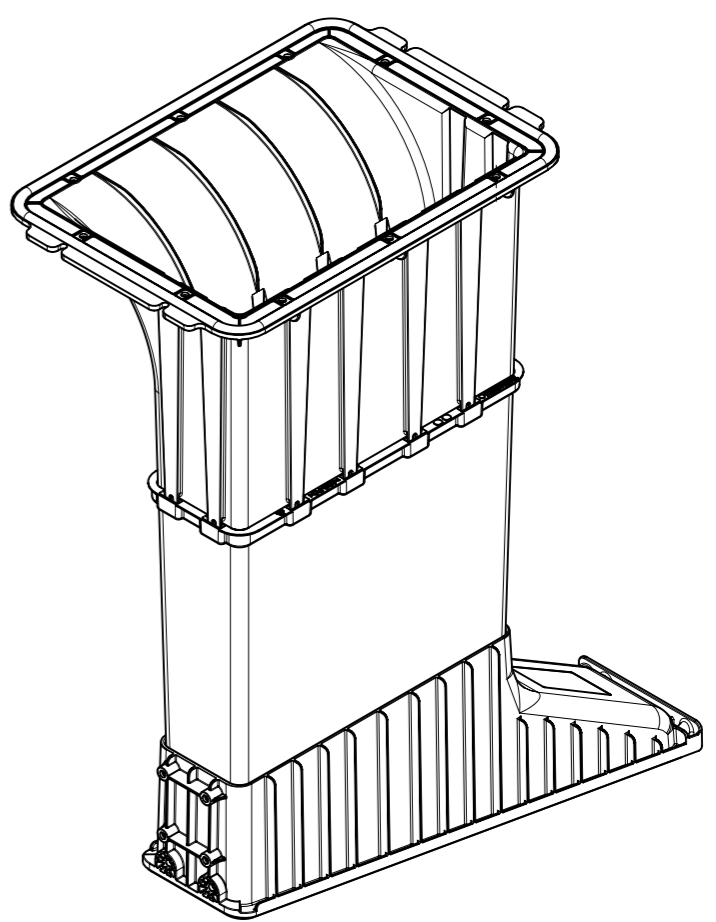
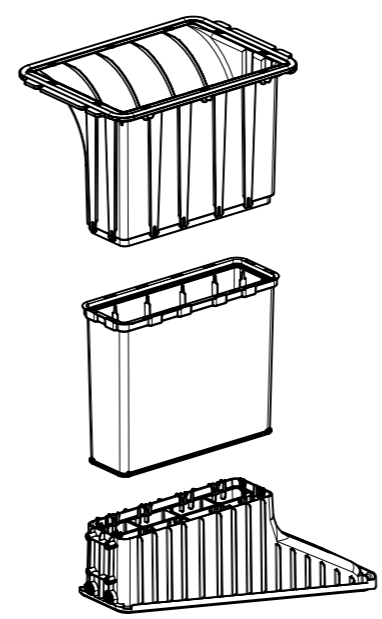
1 2 3 4 5 6 7 8

A
B
C
D
E
F

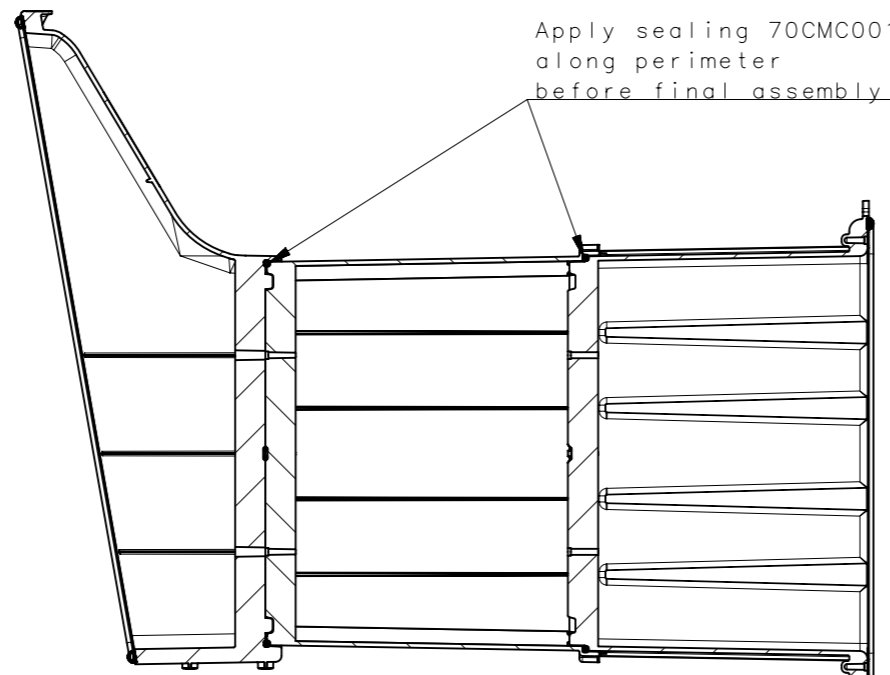
A
B
C
D
E
F



SCALE 1:10



SECTION A-A



All dimensions are in Millimeters Unspecified tolerance according to:		Projection	Size	A3	Material:		
			Thickness	-	Finish:		
			Mass	1,800 Kg	Description / Name		
Other dimensions acc. to 3D-model					MCAD-IC7-SA-ENC-IC7-AIR-DUCT-LONG-A		
Replace					Item Number		
Designer					70CTC1111525		
Modifier			Confidential: Property of Danfoss and its subsidiaries. Not to be copied, handed over to or used by third party. Two- or three dimensional reproduction of content to be authorized by Danfoss Drives A/S		REV C		
					Sheet 1 of 1		

1 2 3 4 5 6 7 8