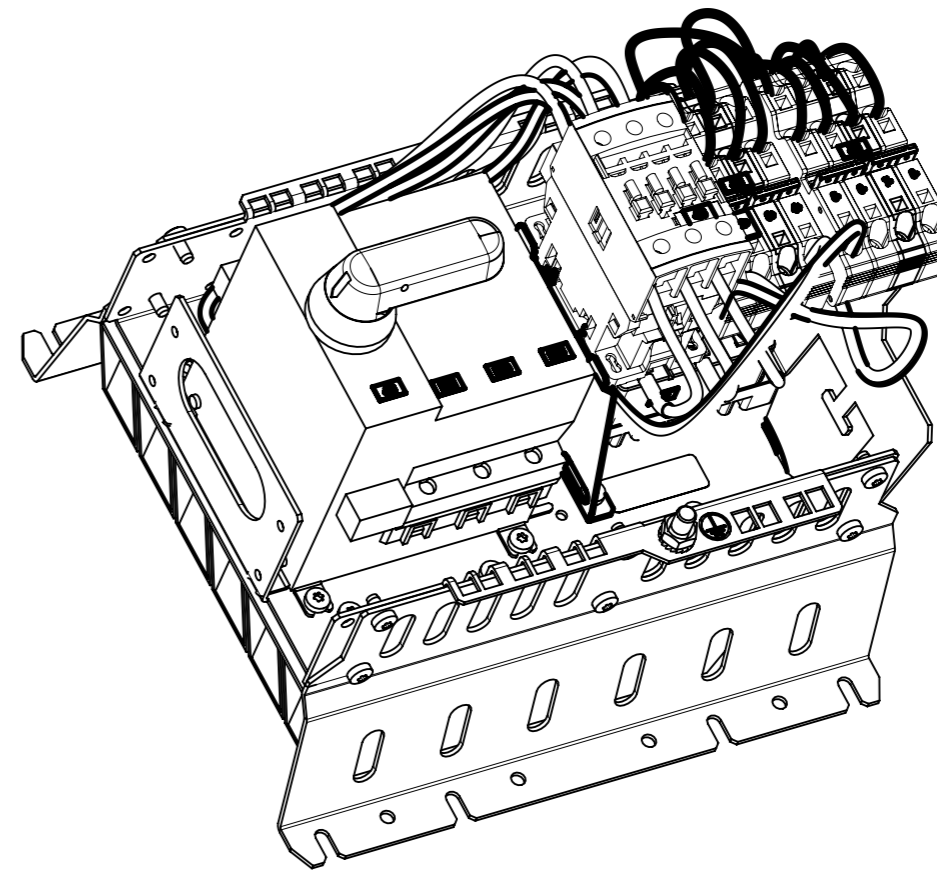


AC - INPUT TERMINALS
U/V/W aIt T1/T2/T3



All dimensions are in Millimeters Unspecified tolerance according to: ISO2768-L		Projection	Size	A3	Material:	
			Thickness		Finish:	
			Mass	- Kg	Description / Name	
Other dimensions acc. to 3D-model					MCAD-IC7-POW-IC7-PRE-CHARGING-UNIT-IE C-A	
Replace					Item Number	REV
Designer					172F7451	B
Modifier		Confidential: Property of Danfoss and its subsidiaries. Not to be copied, handed over to or used by third party. Two- or three dimensional reproduction of content to be authorized by Danfoss Drives A/S			Sheet 1 of 1	