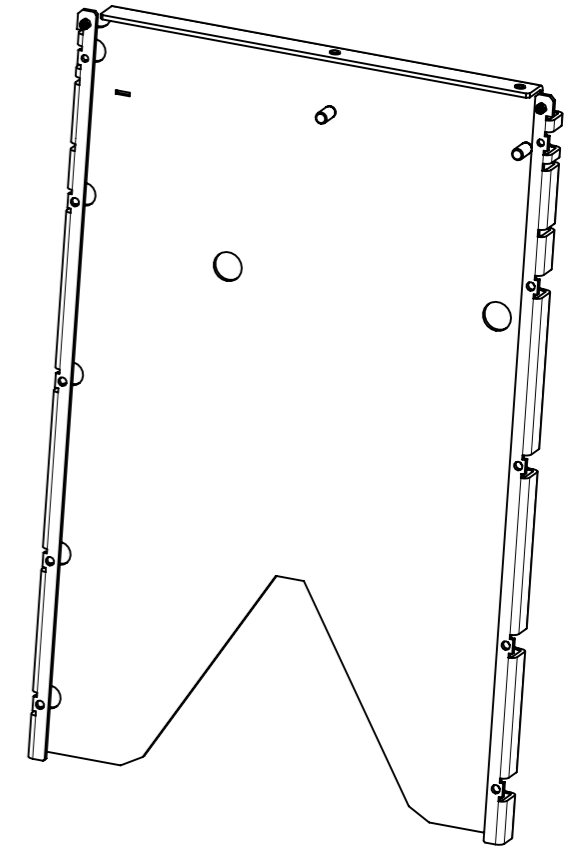


C (1:1)



All dimensions are in Millimeters Unspecified tolerance according to: DIN 6930-m		Projection	Size	A3	DX51D+Z275MAC / EN10346	
Other dimensions acc. to 3D-model			Thickness	3	Material:	
Replace			Mass	4,418 Kg	Finish: -	
Designer					Description / Name	
Modifier					MCAD-IC7-SA-ENC-IC7-MOUNTING-BRACKET S-400-A	
Confidential: Property of Danfoss and its subsidiaries. Not to be copied, handed over to or used by third party. Two- or three dimensional reproduction of content to be authorized by Danfoss Drives A/S				Item Number	REV	B
				70CTC1112197	Sheet	1 of 1