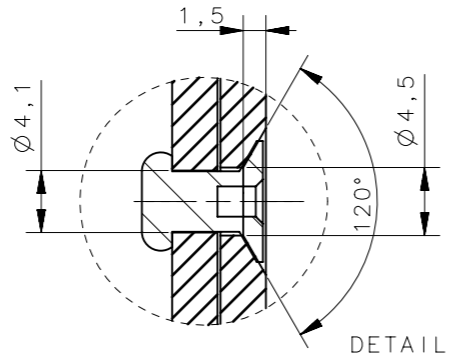
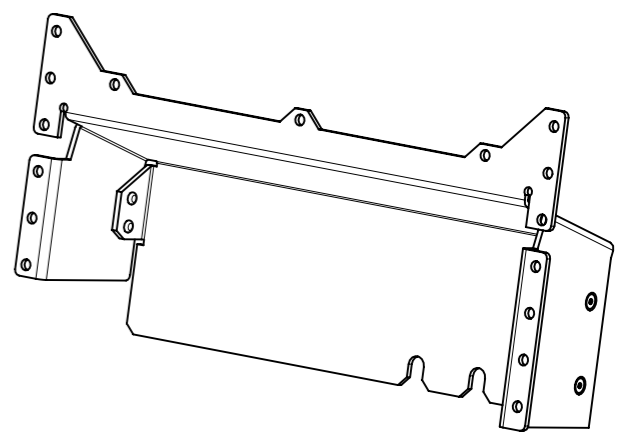
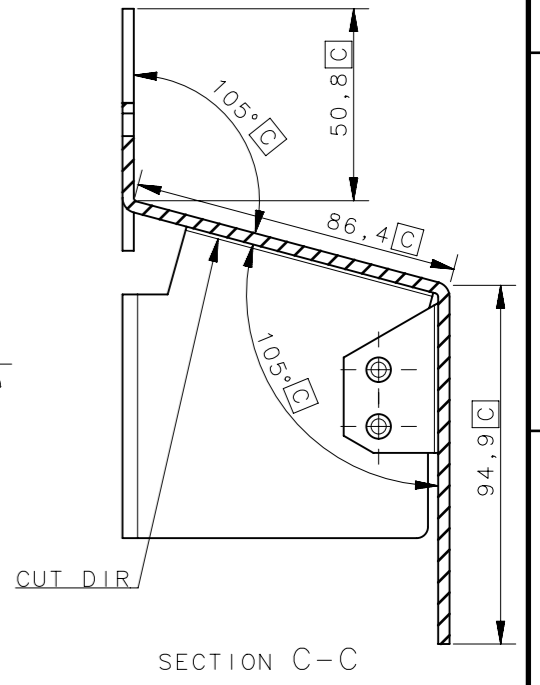
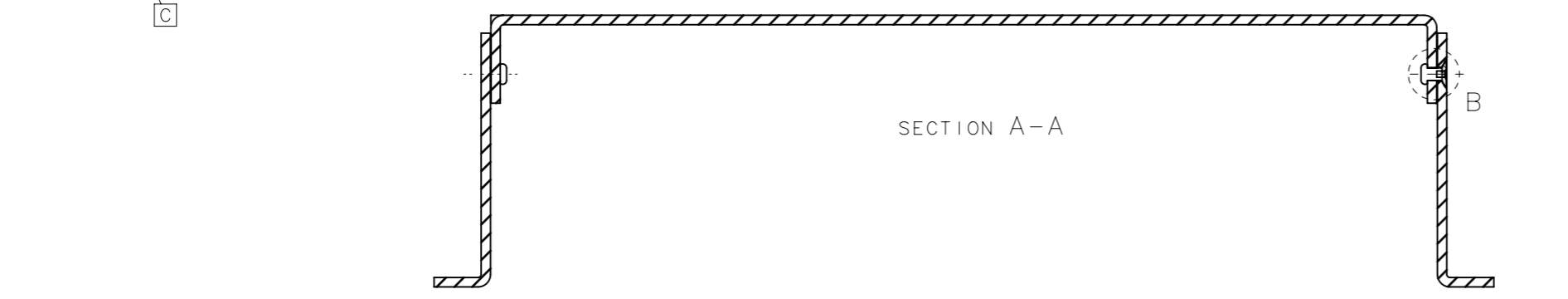
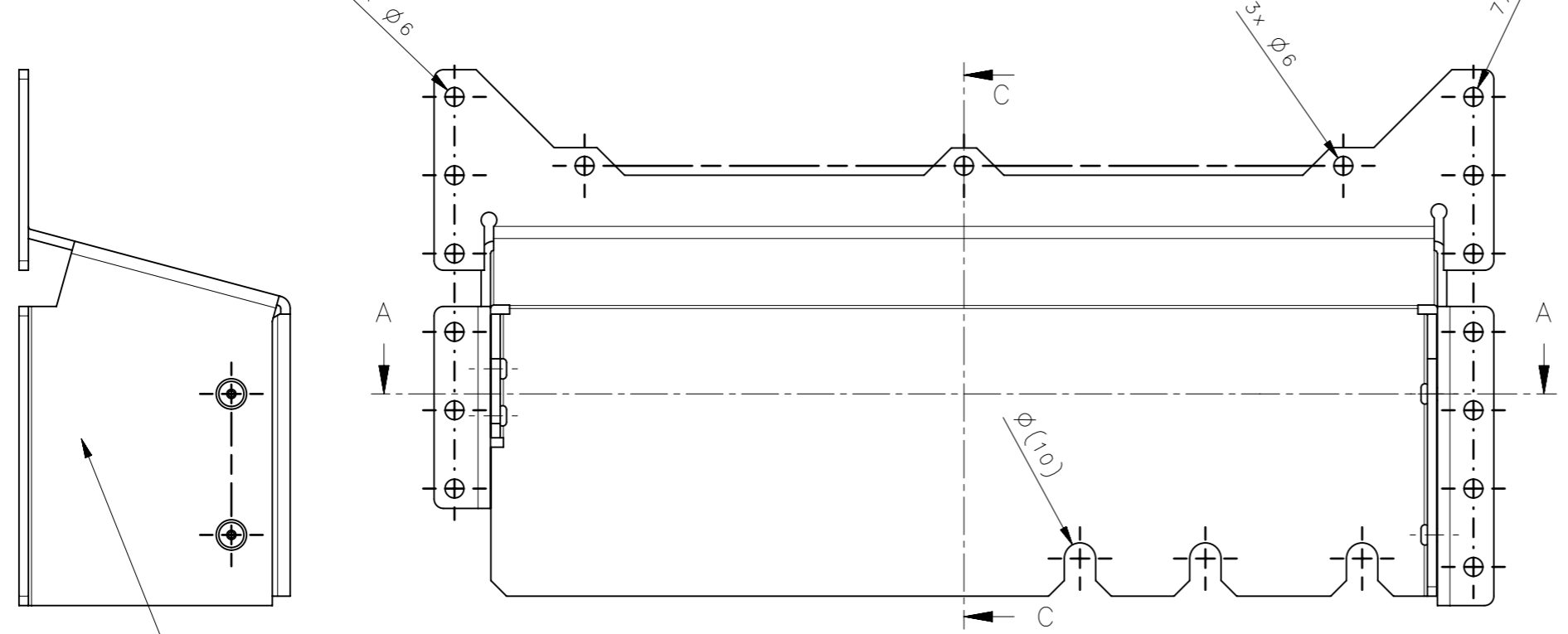
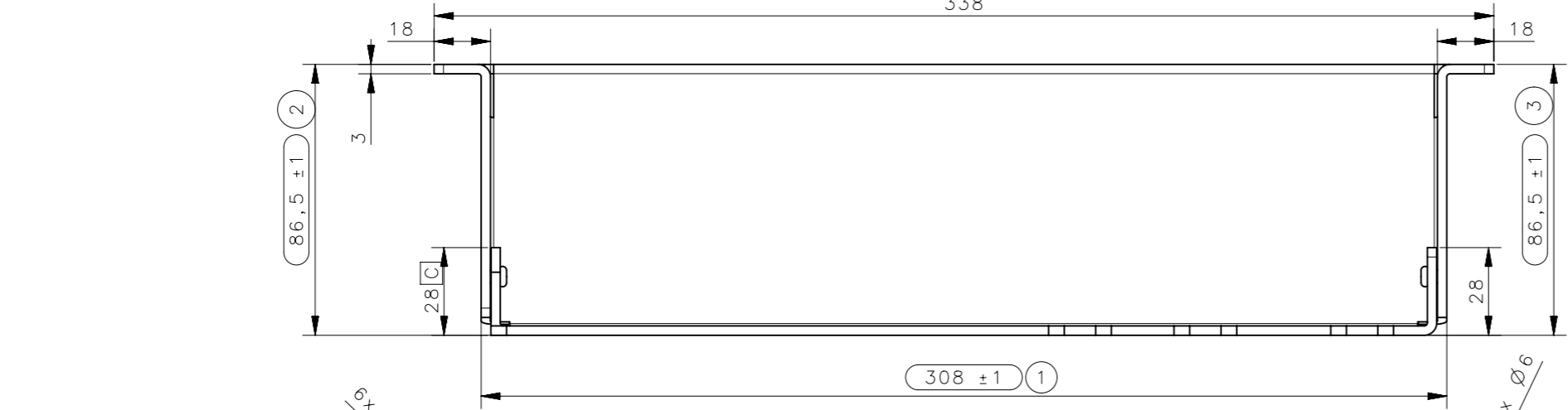


1 2 3 4 5 6 7 8

A  
B  
C  
D  
E  
F



All dimensions are in Millimeters Unspecified tolerance according to: DIN 6930-m		Projection	Size	A3	DX51D+Z275MAC/EN10346	
Other dimensions acc. to 3D-model			Thickness	3	Material:	
Replace			Mass	1,910	Kg	
Designer					Finish: -	
Modifier					Description / Name	
Confidential: Property of Danfoss and its subsidiaries. Not to be copied, handed over to or used by third party. Two- or three dimensional reproduction of content to be authorized by Danfoss Drives A/S		Item Number			70CTC1112607	
		REV			C	
		Sheet			1 of 1	

1 2 3 4 5 6 7 8