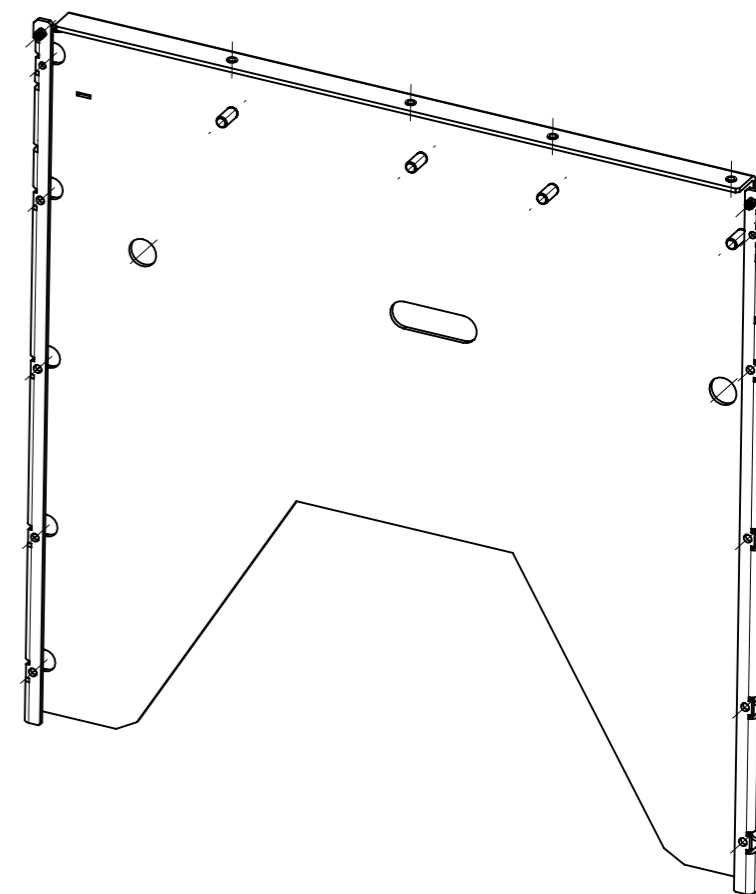
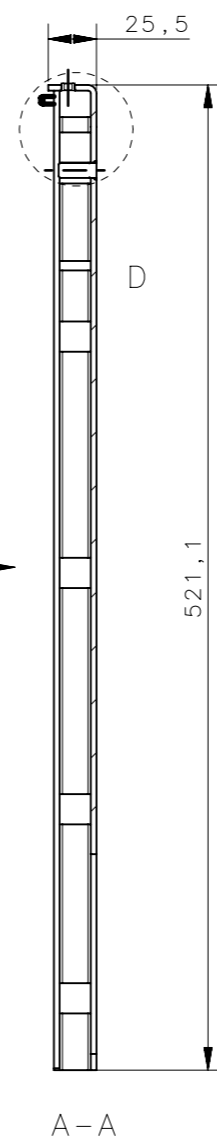
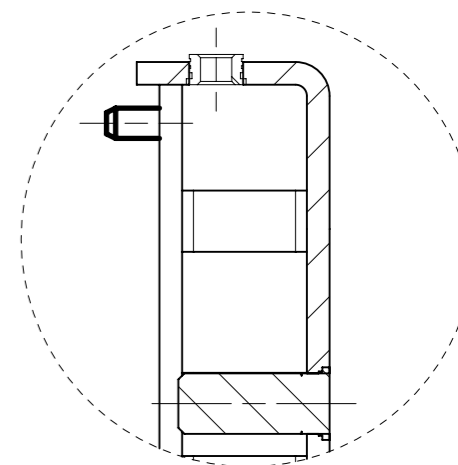


DETAIL D (SCALE 1:1)



All dimensions are in Millimeters Unspecified tolerance according to: DIN 6930-m		Projection 	Size	A3	DX51D+Z275MAC / EN10346	
Other dimensions acc. to 3D-model			Thickness	3	Material:	
Replace		Mass	6,025	Kg	Finish: -	
Designer					Description / Name	
Modifier					MCAD-IC7-SA-ENC-IC7-MOUNTING-BRACKET S-600-A	
Confidential: Property of Danfoss and its subsidiaries. Not to be copied, handed over to or used by third party. Two- or three dimensional reproduction of content to be authorized by Danfoss Drives A/S			Item Number		REV	B
			70CTC1111965		Sheet	1 of 1