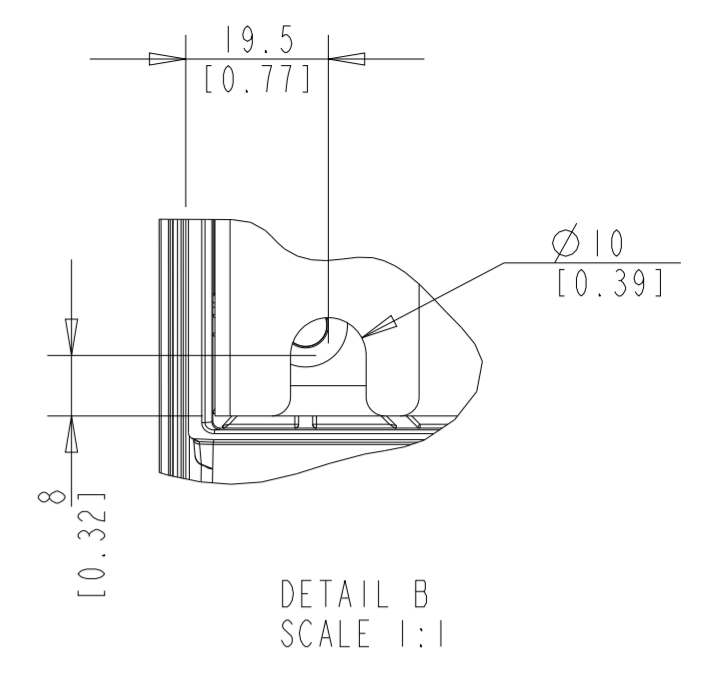
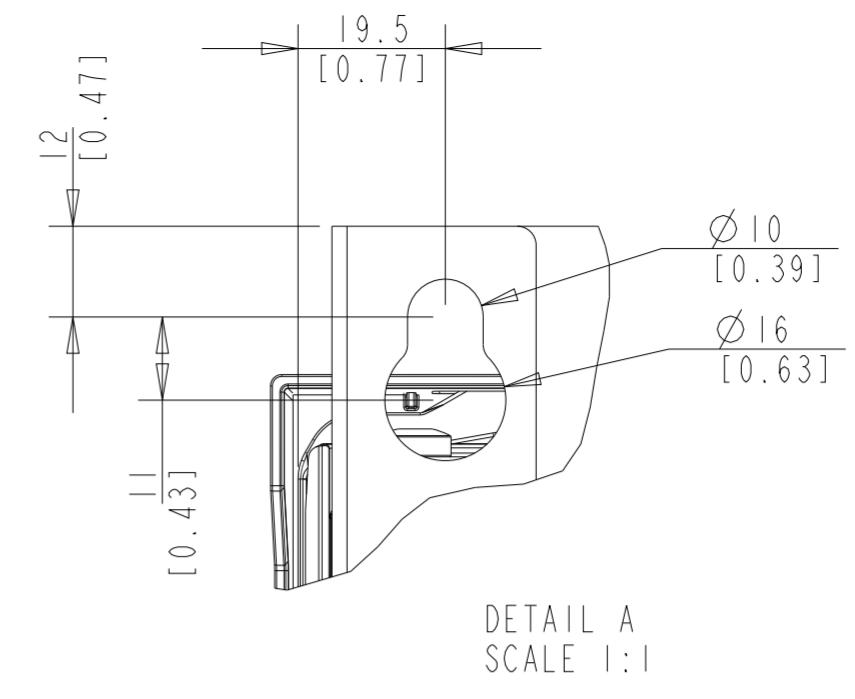
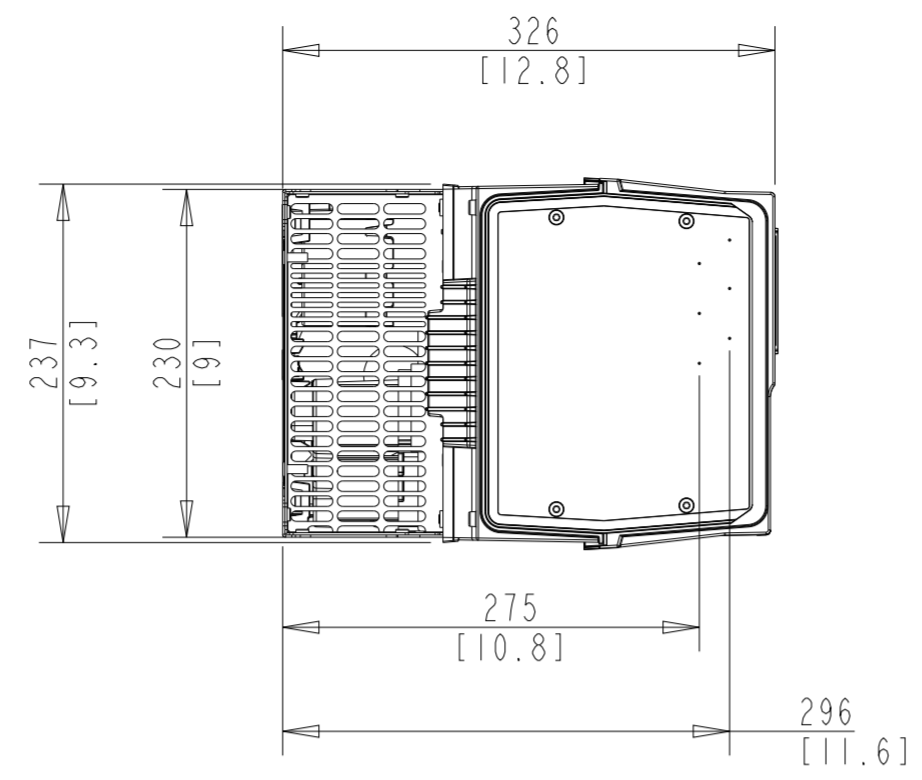
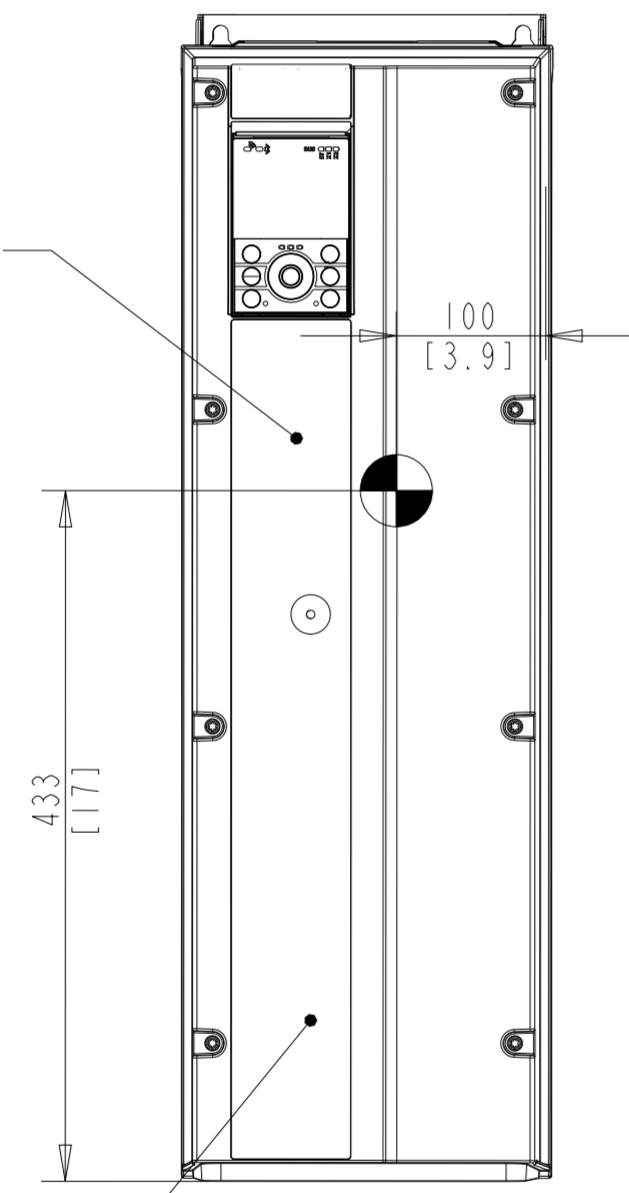


Type	Value
Max. weight	37.2Kg/82lbs
IP Class	IP55
UL Type	Type 12



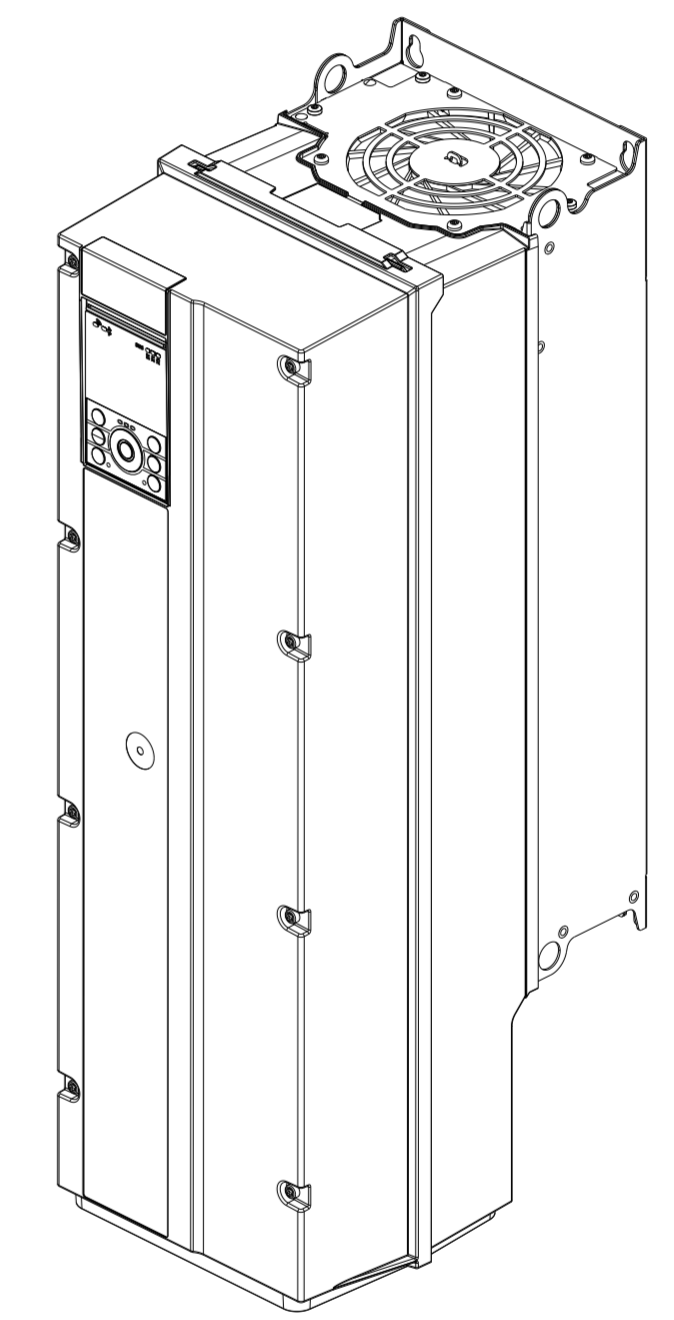
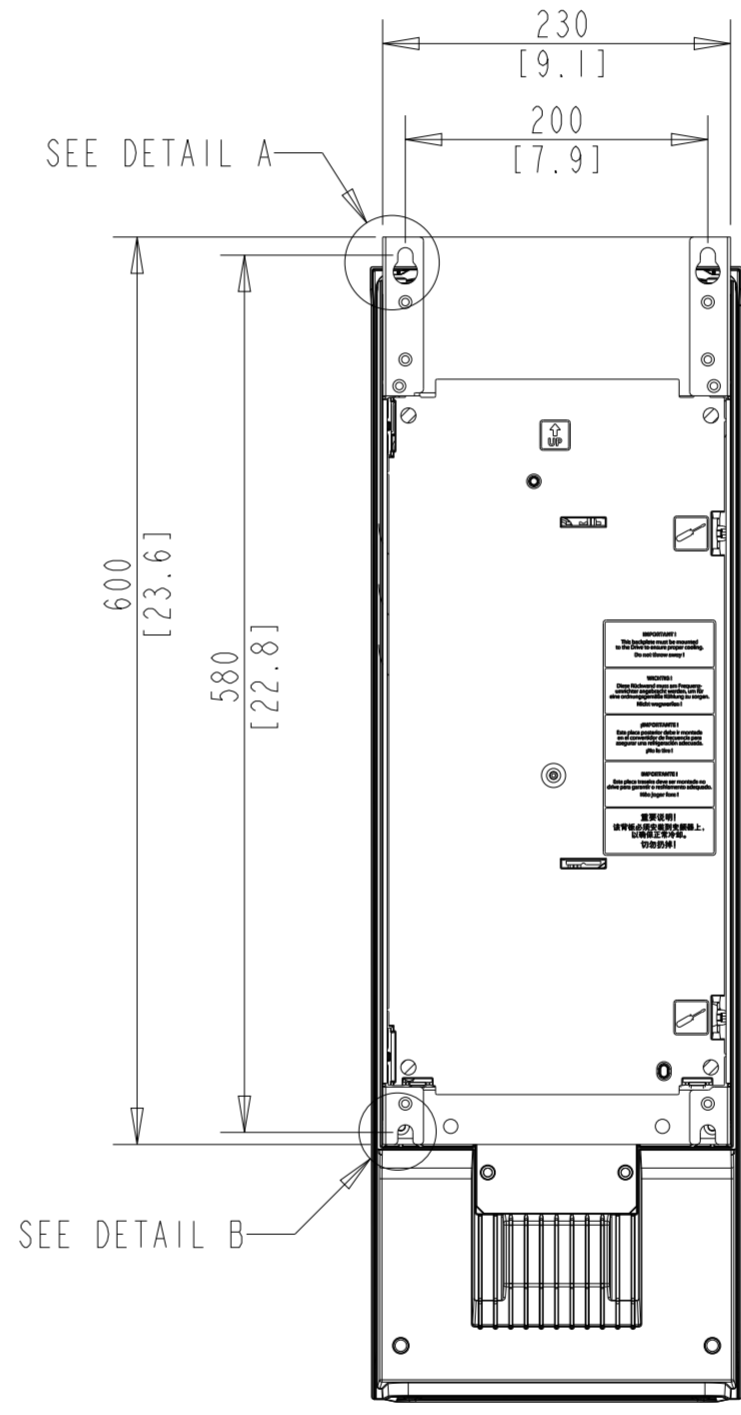
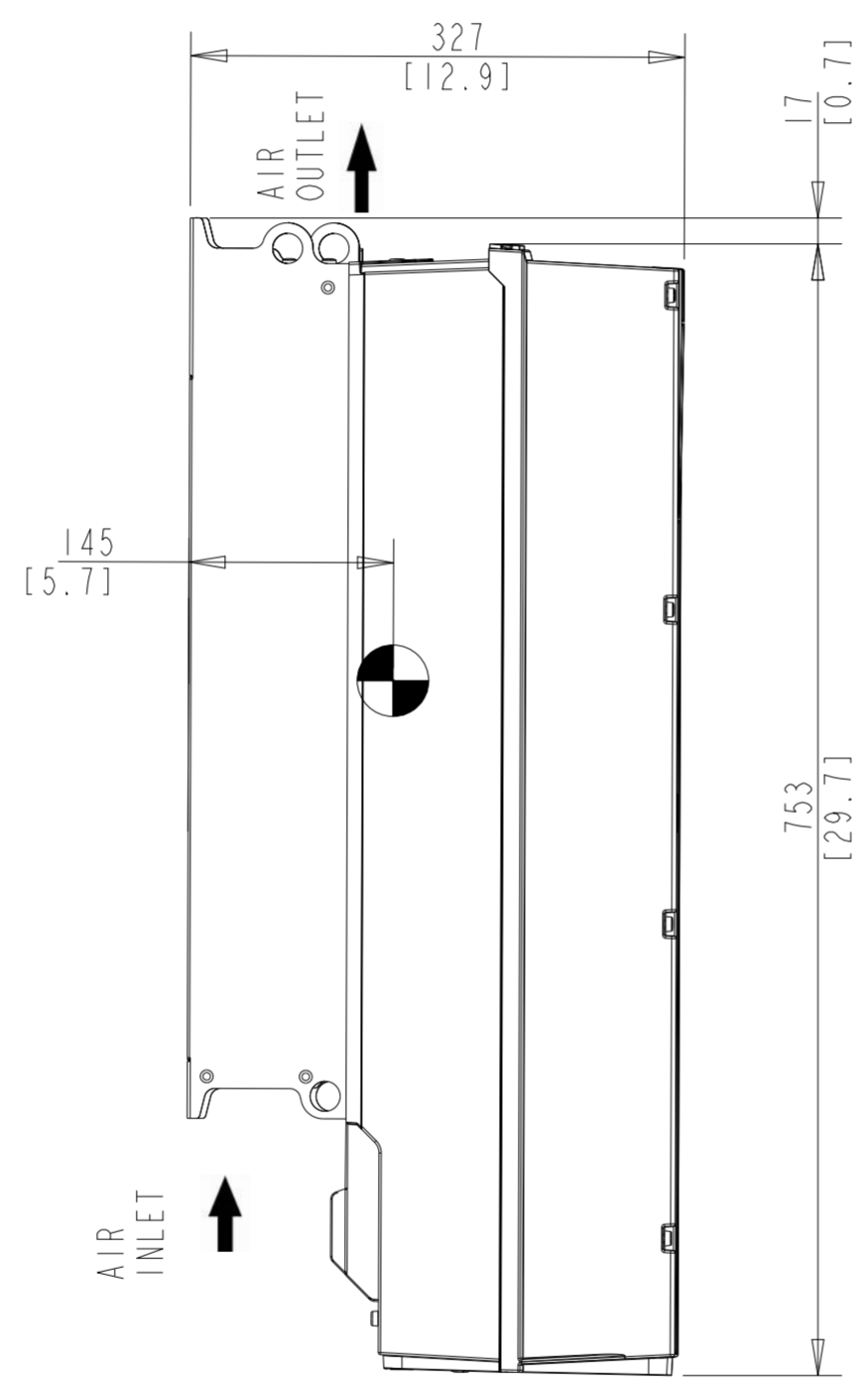
200 MM AIR SPACE FOR COOLING

Product name

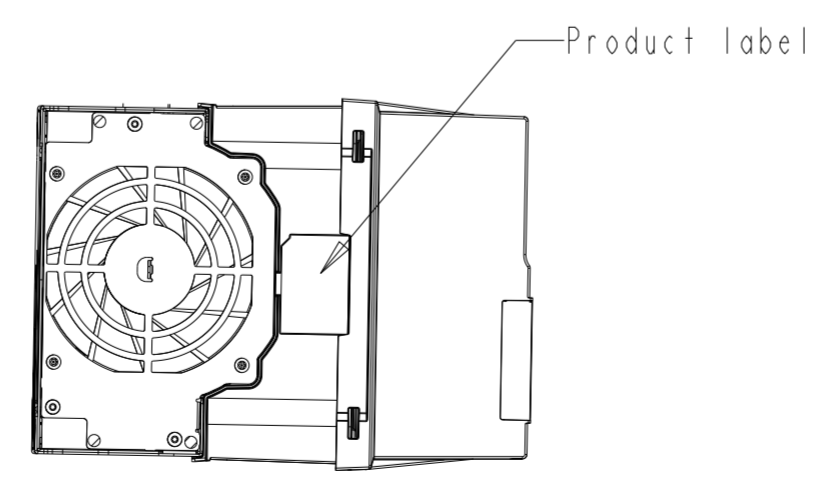


Danger label

200 MM AIR SPACE FOR COOLING



SCALE 1:6

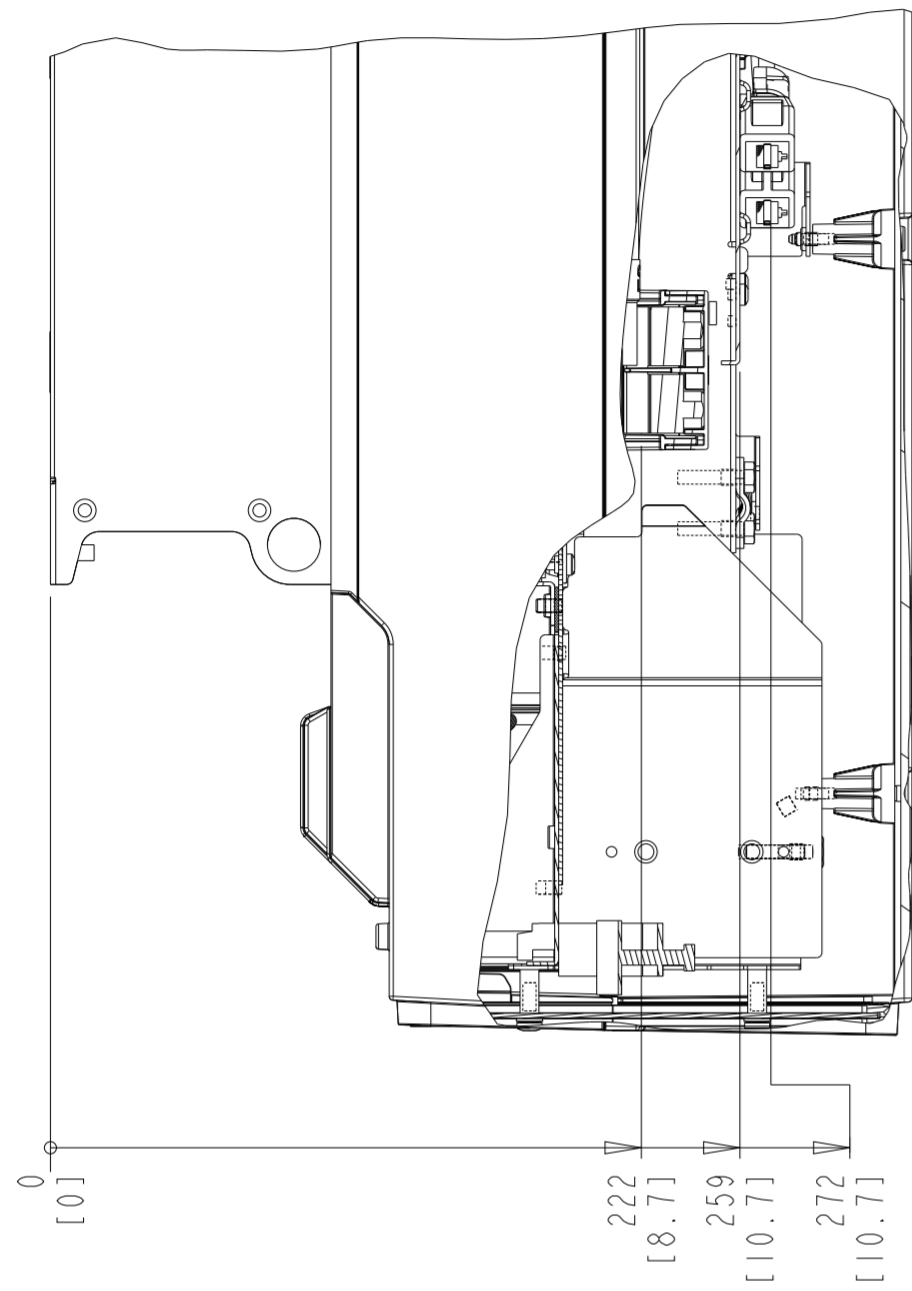


- CENTER OF GRAVITY: FOR REFERENCE ONLY, THE PRODUCT CONFIGURATION MAY INFLUENCE THE CG IN ALL THREE AXES
  - ⊙ CRITICAL CHARACTERISTICS
  - ▽ KEY CHARACTERISTICS
  - INSPECTION
- MUST COMPLY TO ROHS DIRECTIVE 2011/65/EU

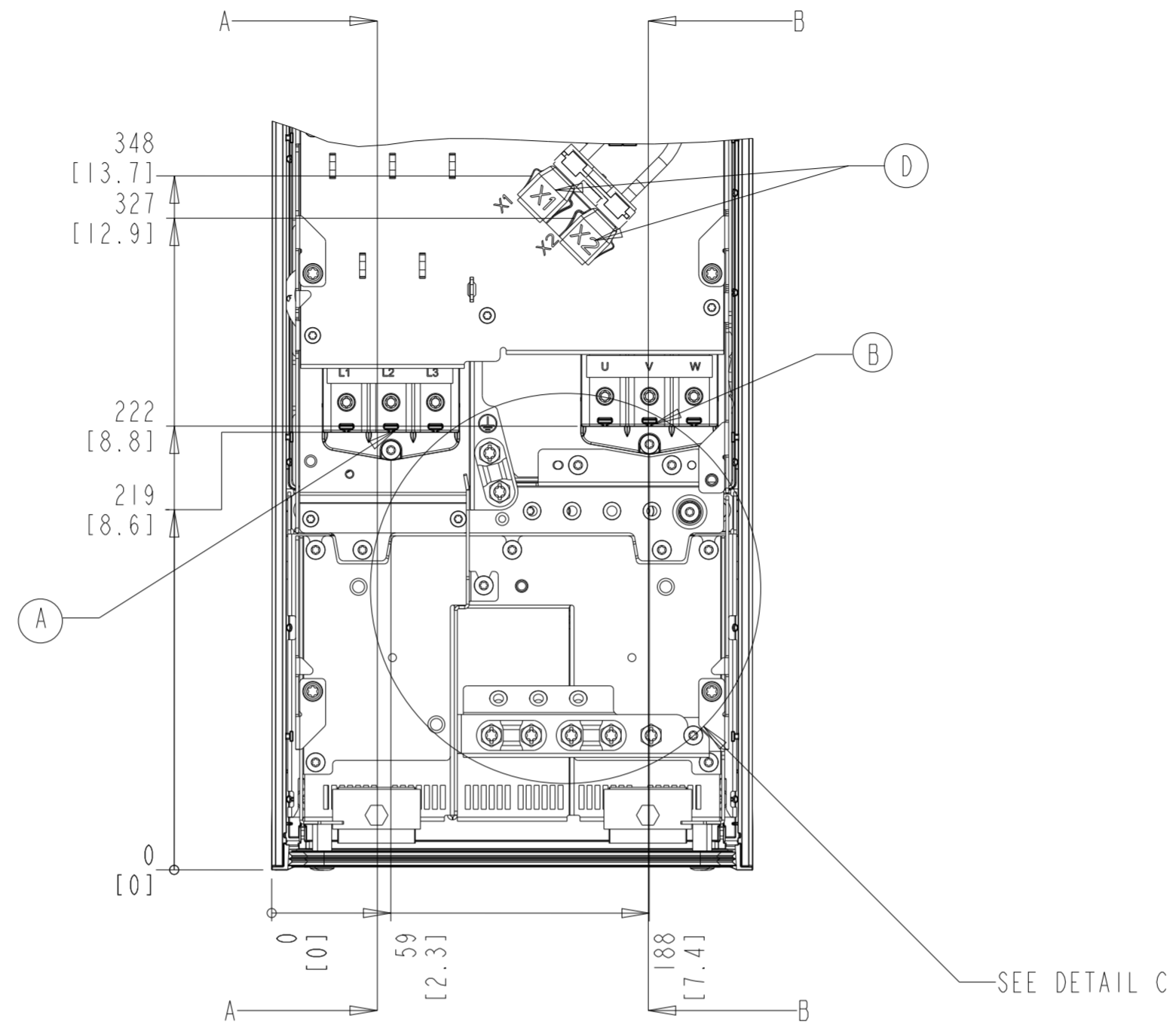
THIS DRAWING SHOWS THE MOST COMMON VERSION OF THIS PRODUCT VARIANT. SMALL DIFFERENCES MAY OCCUR DEPENDING ON THE FINAL PRODUCT CONFIGURATION.

UNLESS OTHERWISE SPECIFIED INTERPRET DIM. & TOL. PER ASME Y14.5M-1994 ALL DIMENSIONS ARE IN MILLIMETERS .X±1.0 .XX±0.50 <±1.0		THIRD ANGLE PROJECTION	SCALE 0.250	SIZE A2	MATERIAL
— PDM CONTROLLED DRAWING — NOT VALID WITHOUT FROZEN DATE IN ID STAMP					FINISH
CHANGED	DESIGNED Danfoss				01/31/24
CHECKED	CONFIDENTIAL: PROPERTY OF DANFOSS A/S NORDBORG, DENMARK. NOT TO BE HANDED OVER TO BE COPIED OR BE USED BY A THIRD PARTY. TWO OR THREE DIMENSIONAL REPRODUCTION OF CONTENTS TO BE AUTHORIZED BY DANFOSS A/S.			DRAWING NUMBER MCAD-FB07-IP55	REV P1
				MODEL MCAD-FB07-IP55	SHEET 1 OF 2

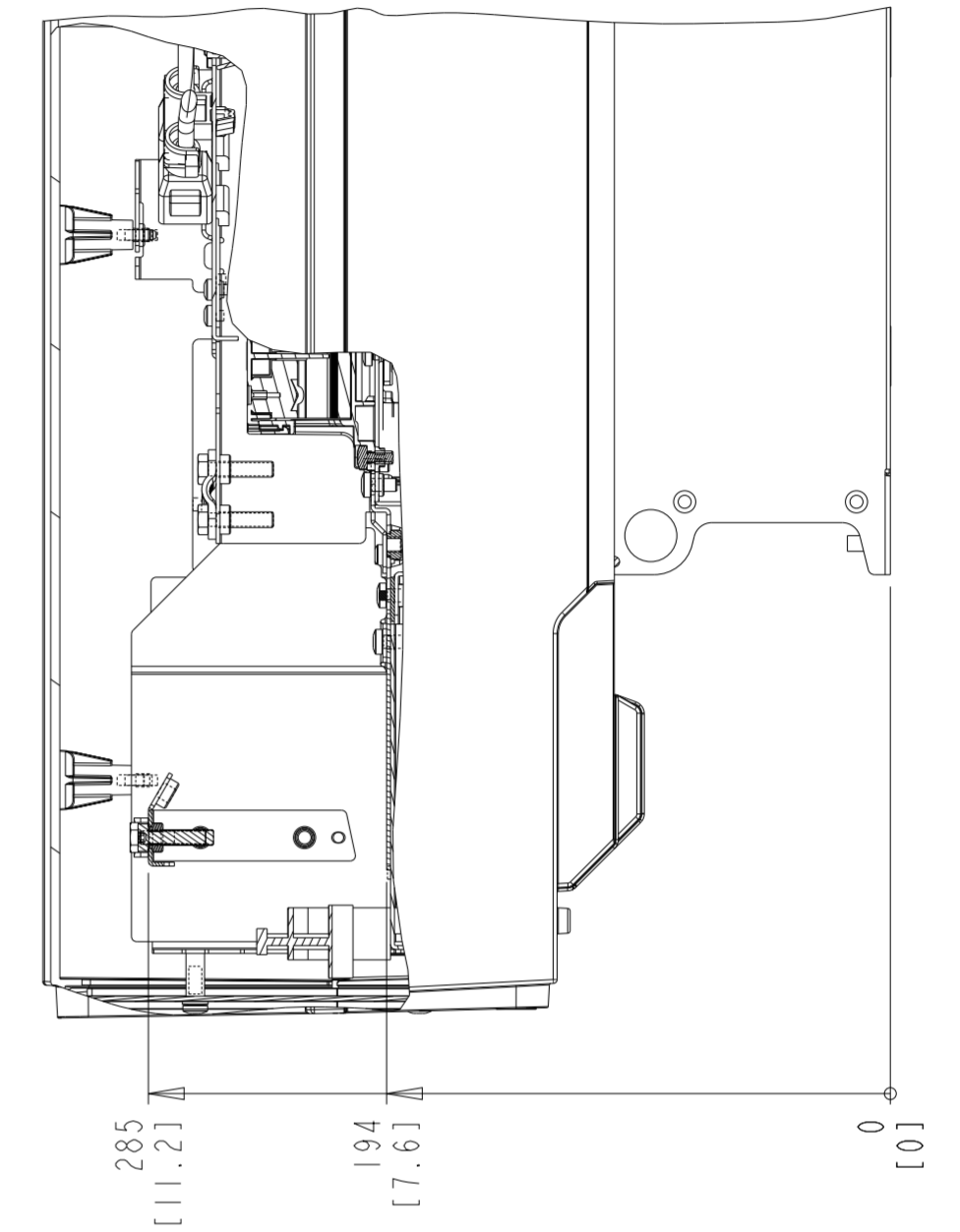
SECTION A-A  
LINE TERMINALS



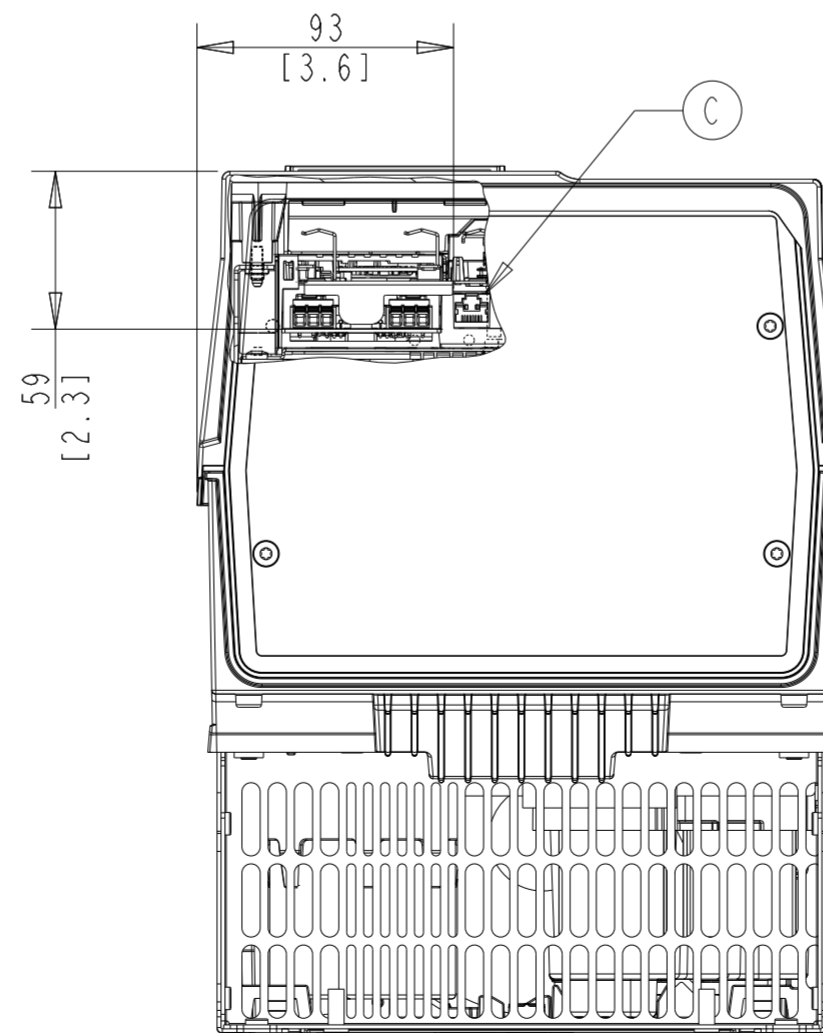
SCALE 1:3



SECTION B-B  
MOTOR TERMINALS

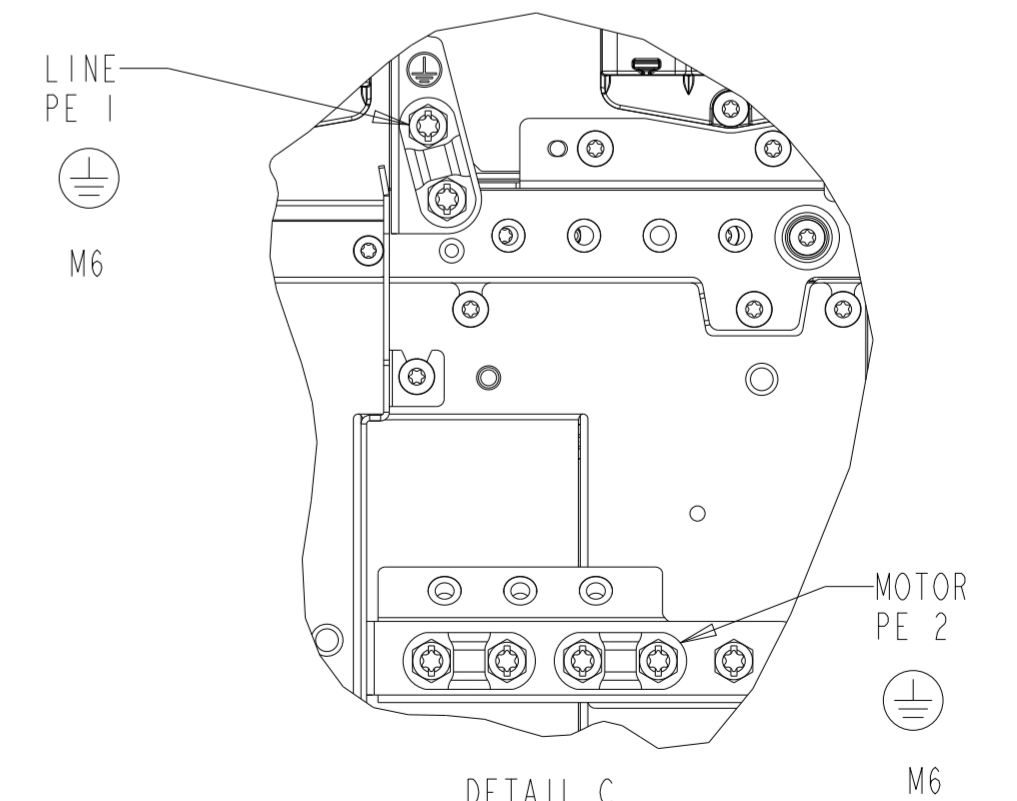


Position of connectors	
A	Line
B	Motor
C	Interface X0
D	Interface X1/X2



BOTTOM VIEW

EARTHING INFORMATION



DETAIL C  
SCALE 1:2