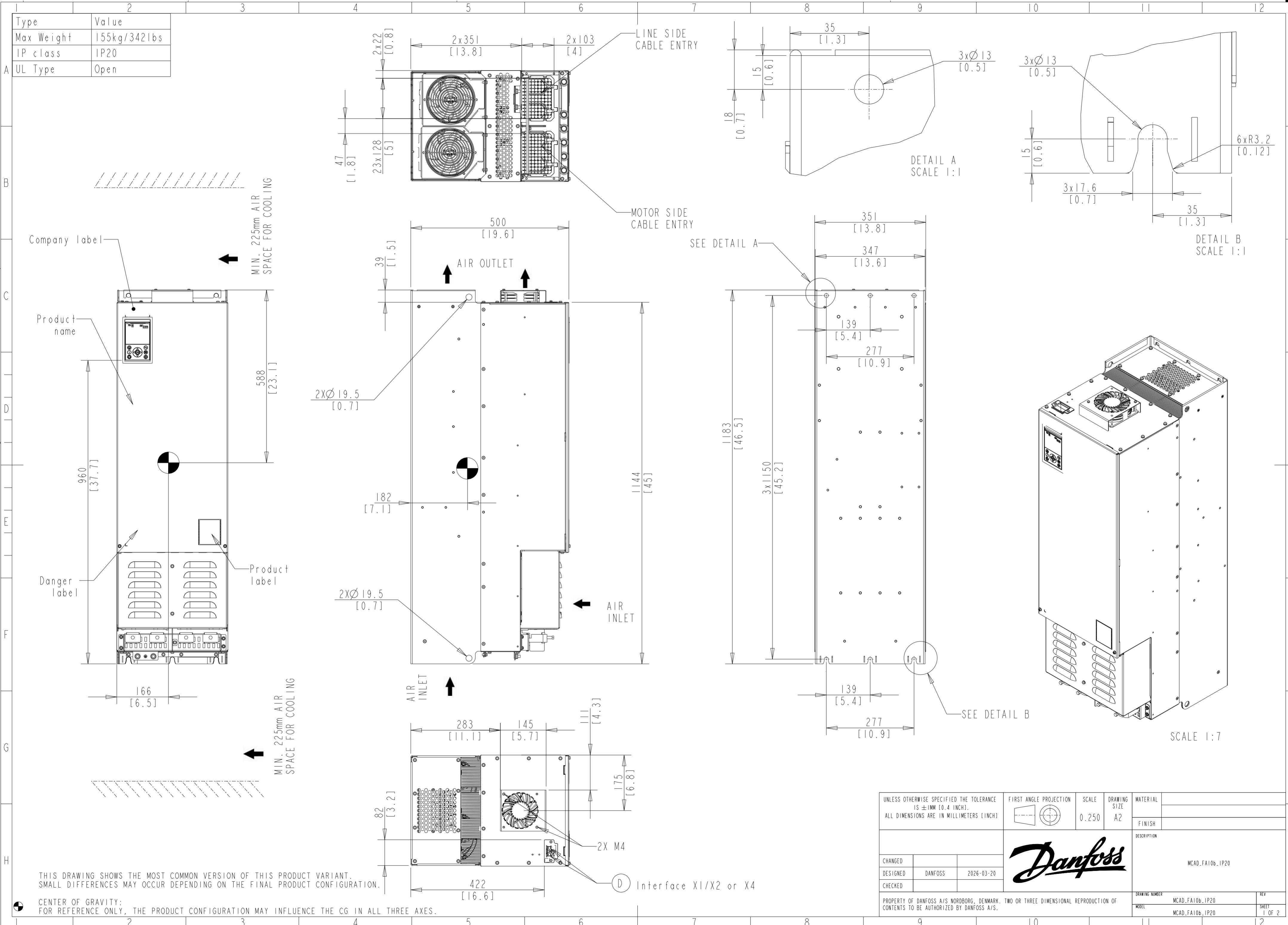


Type	Value
Max Weight	155kg/342lbs
IP class	IP20
UL Type	Open



THIS DRAWING SHOWS THE MOST COMMON VERSION OF THIS PRODUCT VARIANT. SMALL DIFFERENCES MAY OCCUR DEPENDING ON THE FINAL PRODUCT CONFIGURATION.

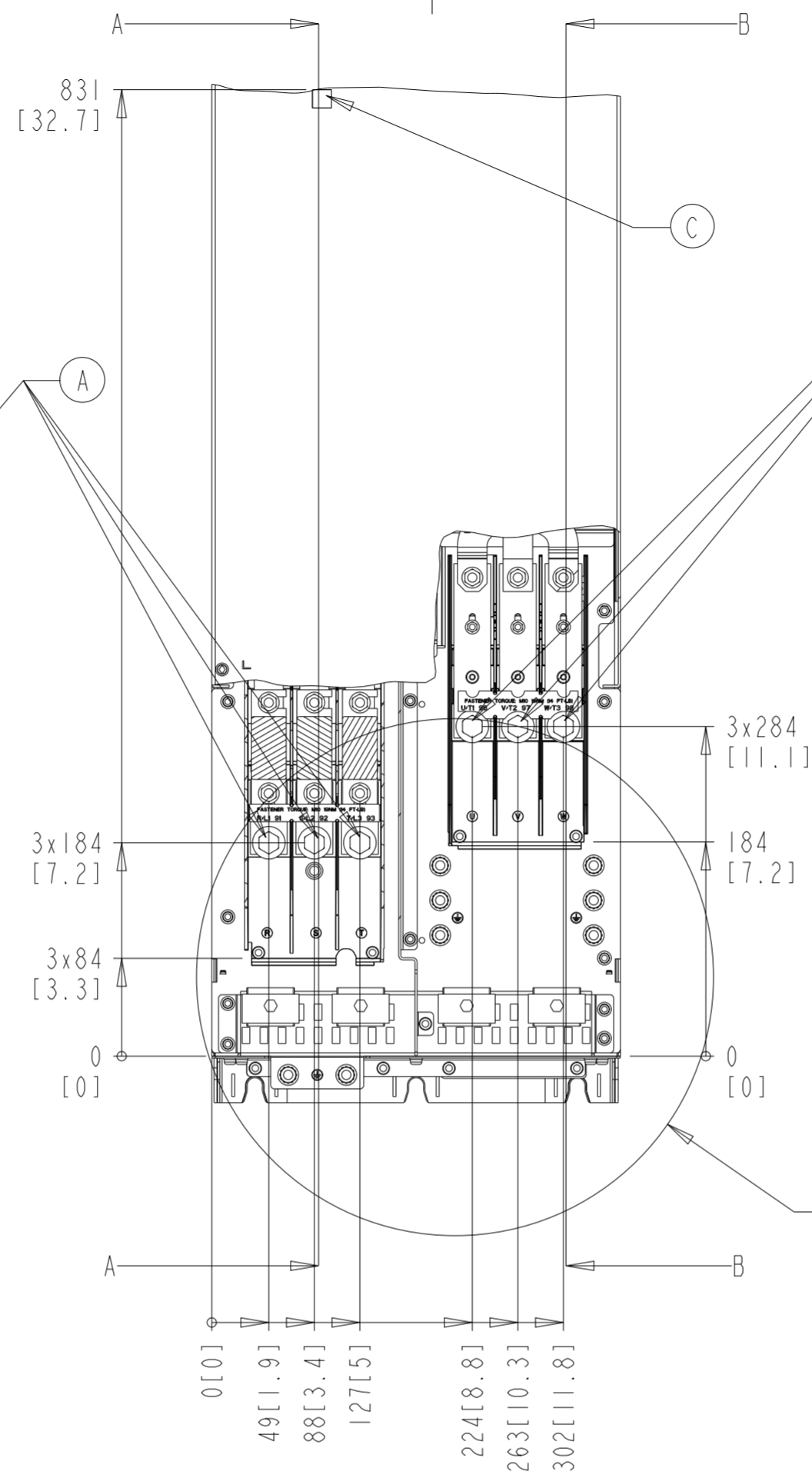
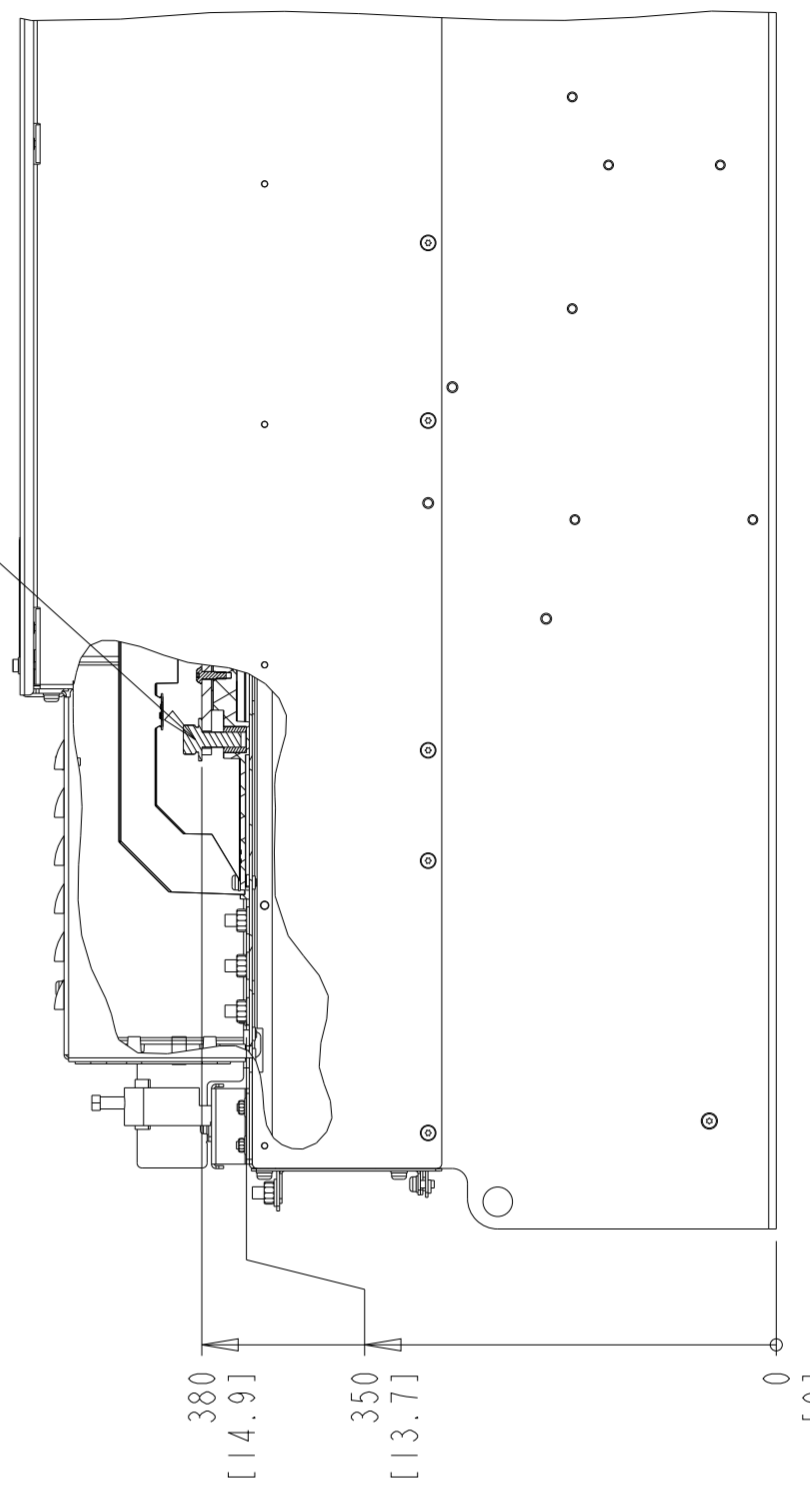
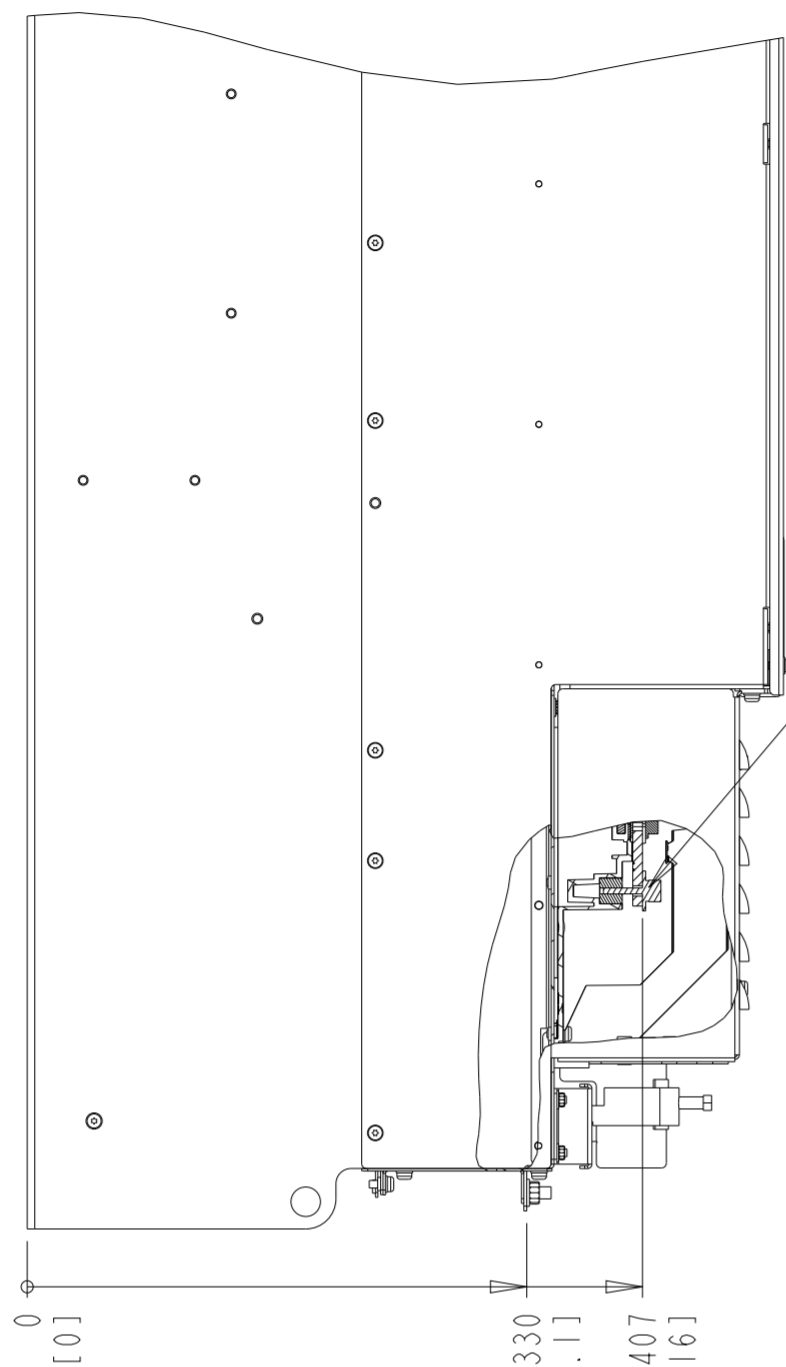
CENTER OF GRAVITY: FOR REFERENCE ONLY, THE PRODUCT CONFIGURATION MAY INFLUENCE THE CG IN ALL THREE AXES.

UNLESS OTHERWISE SPECIFIED THE TOLERANCE IS ±1MM (0.4 INCH). ALL DIMENSIONS ARE IN MILLIMETERS (INCH)		FIRST ANGLE PROJECTION	SCALE	DRAWING SIZE	MATERIAL
			0.250	A2	
		FINISH			
		DESCRIPTION			
CHANGED		MCAD_FA10b_IP20			
DESIGNED	DANFOSS	2026-03-20			
CHECKED					
PROPERTY OF DANFOSS A/S NORDBORG, DENMARK. TWO OR THREE DIMENSIONAL REPRODUCTION OF CONTENTS TO BE AUTHORIZED BY DANFOSS A/S.		DRAWING NUMBER		REV	
		MCAD_FA10b_IP20		1	
		MCAD_FA10b_IP20		1 OF 2	

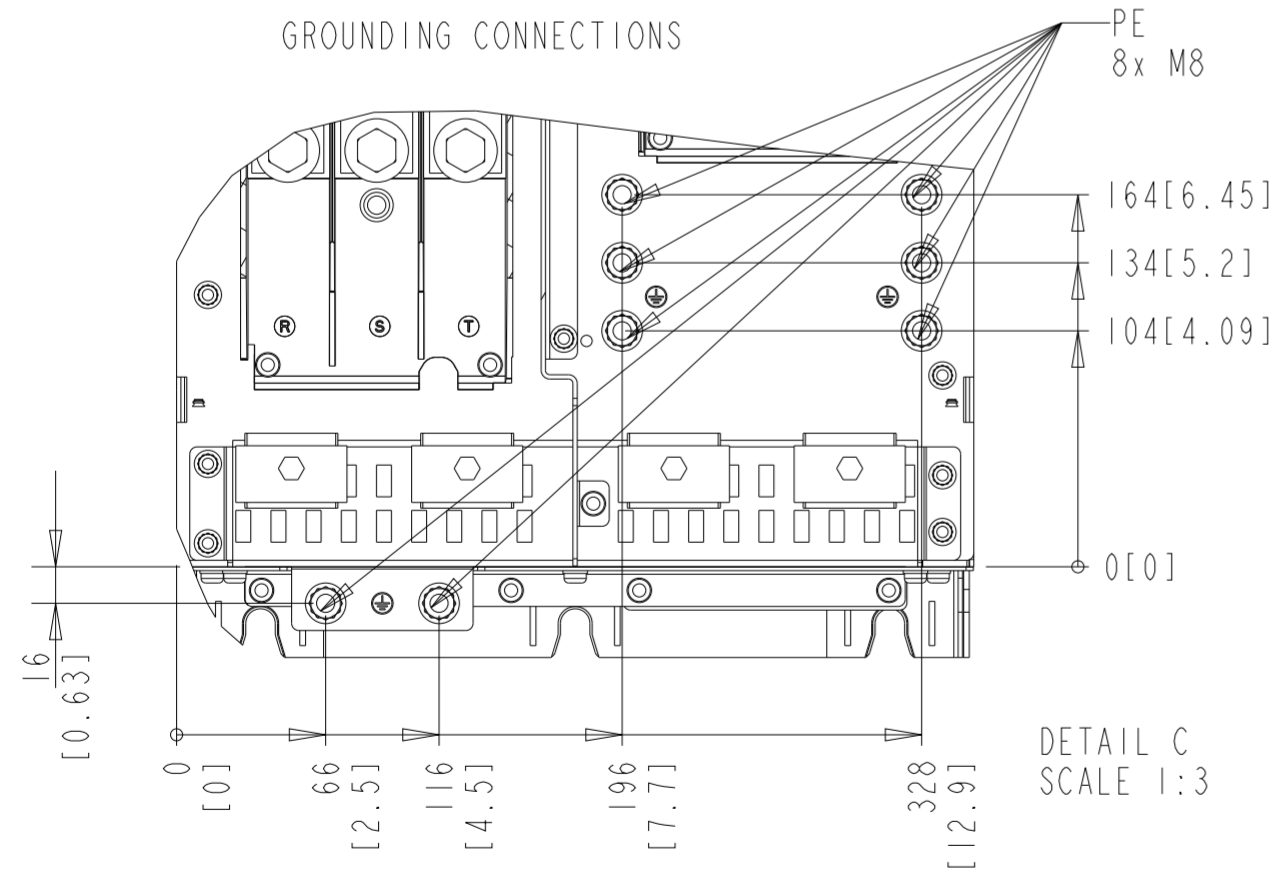


SECTION A-A
LINE TERMINALS

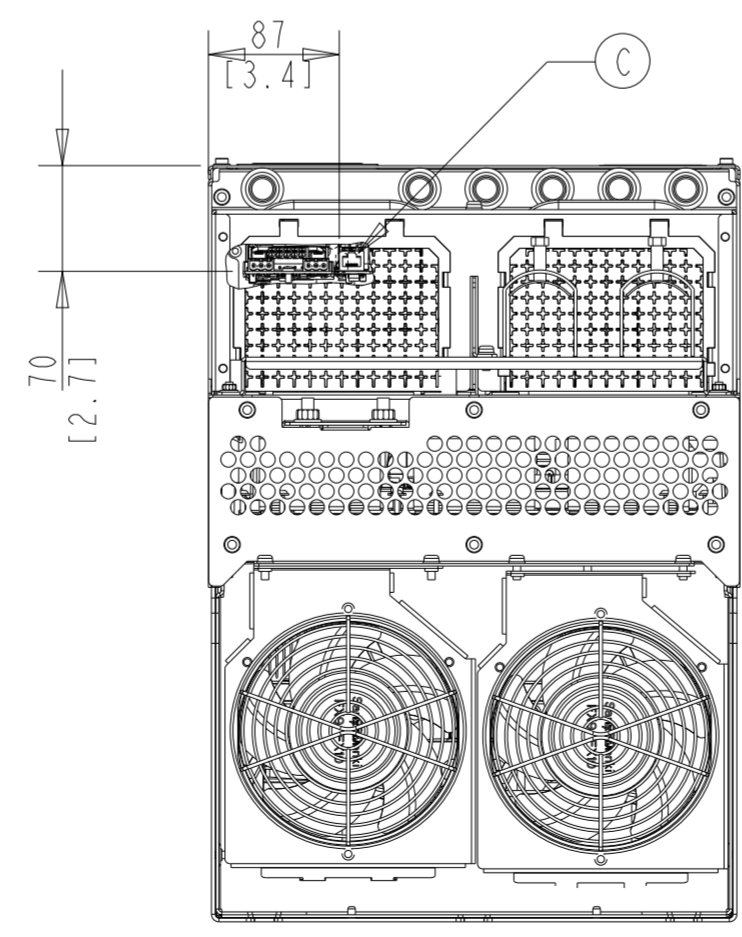
SECTION B-B
MOTOR TERMINALS



GROUNDING CONNECTIONS

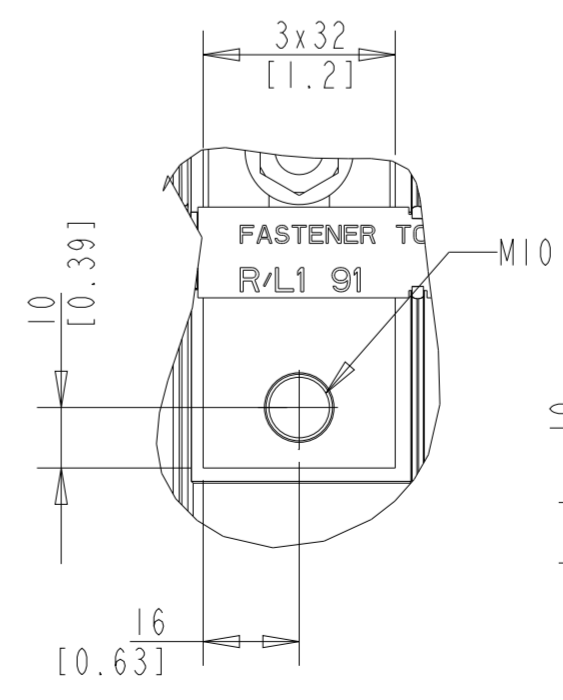


DETAIL C
SCALE 1:3

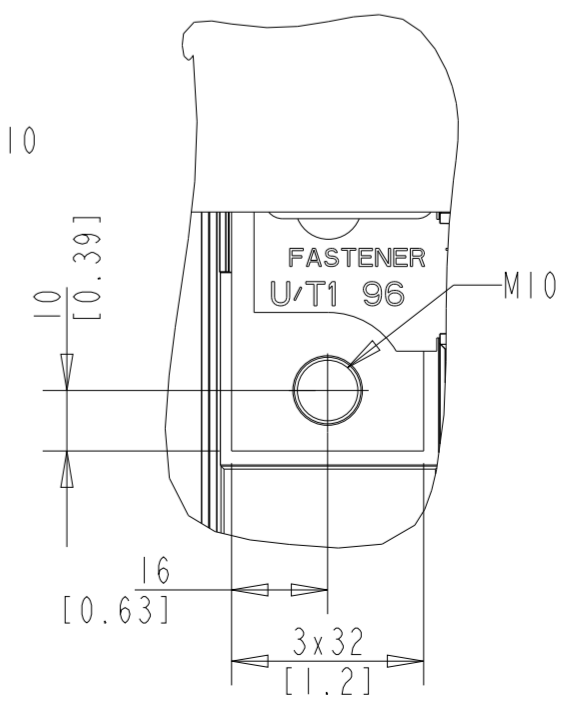


BOTTOM VIEW

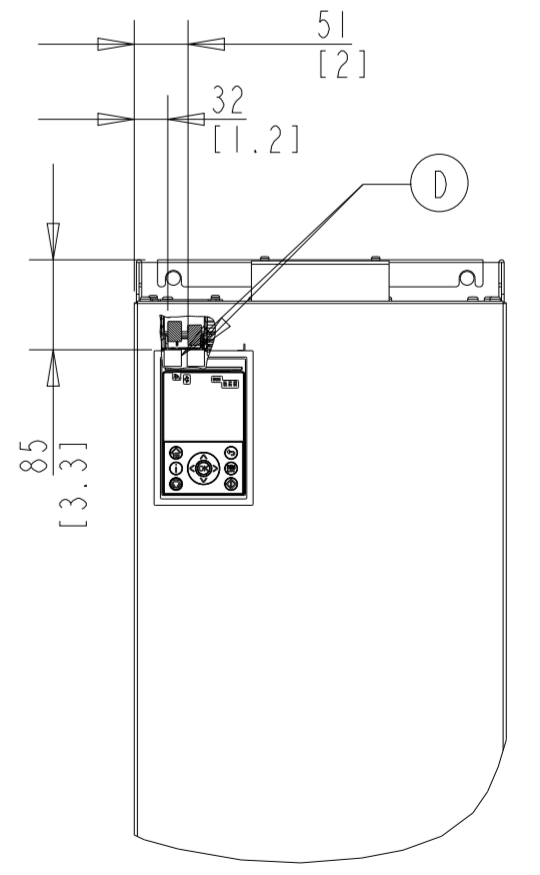
LINE TERMINAL



MOTOR TERMINAL



INTERFACE XI/X2 or X4



Position of connectors	
A	Line
B	Motor
C	Interface X0
D	Interface XI/X2 or X4