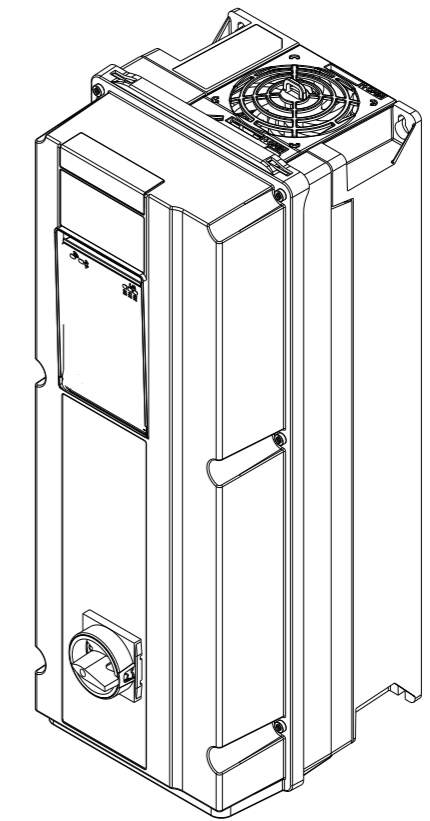
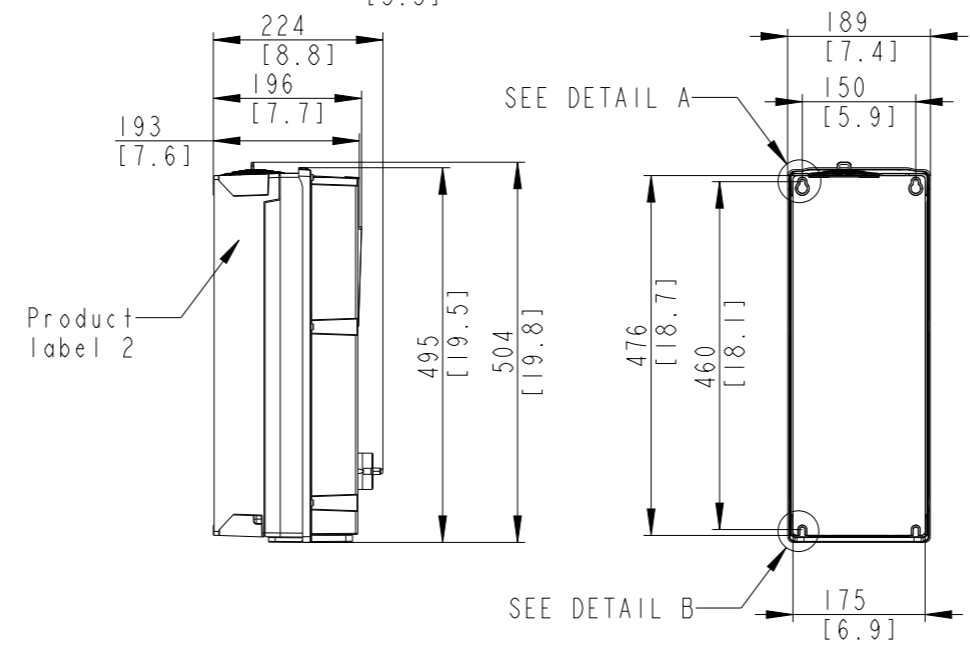
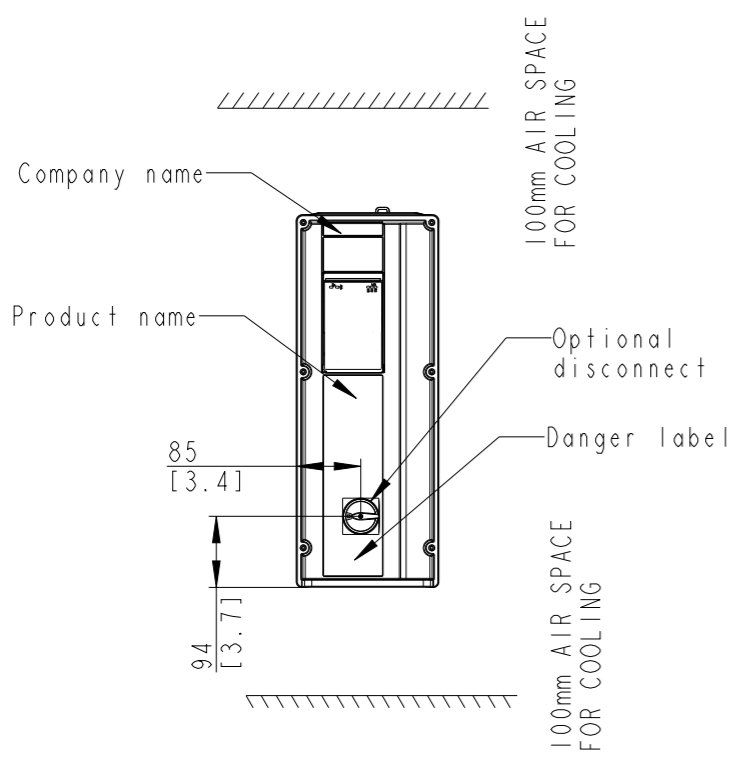
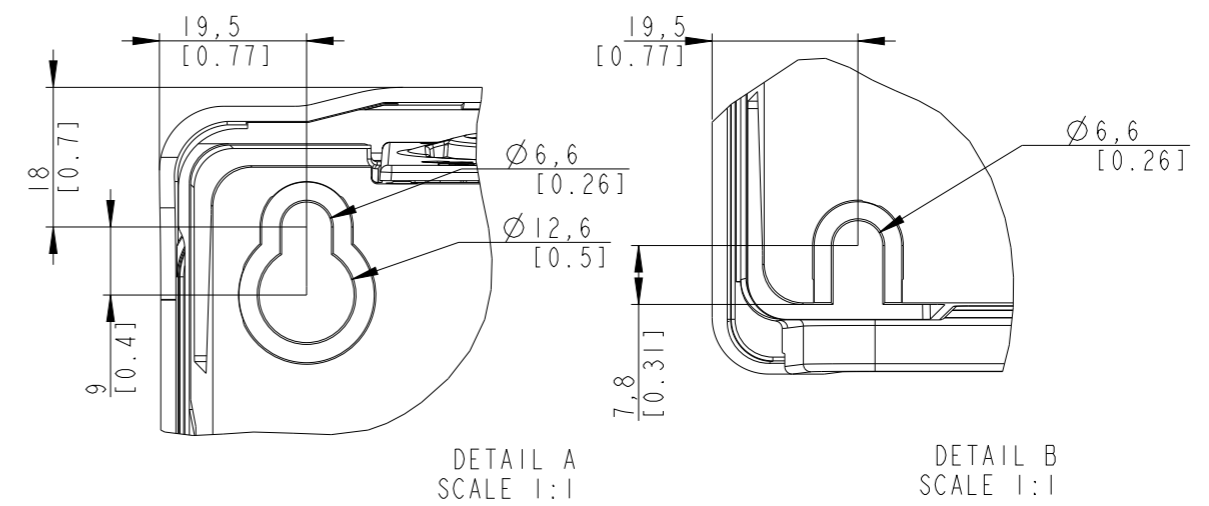
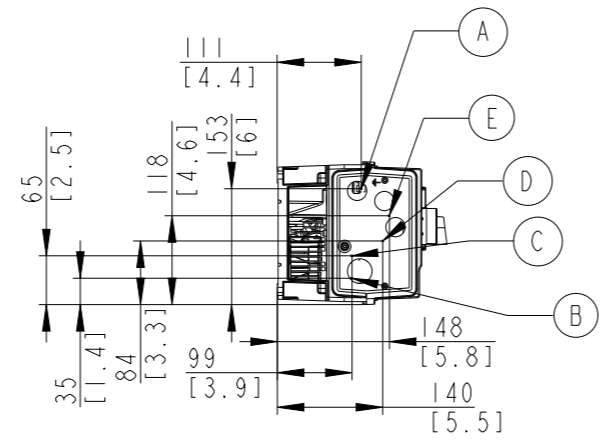
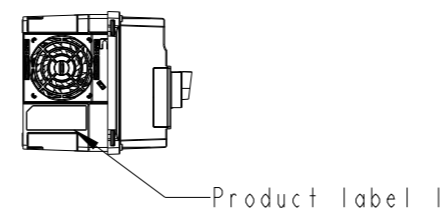


Type	Value
Max Weight	9.6kg/21.1lb
IP Class	IP55
UL type	Type I2



SCALE 1:5



Position of connectors	
A	Line
B	Motor
C	Brake/DC
D	Interface X0
E	Interface X1/X2 or X4

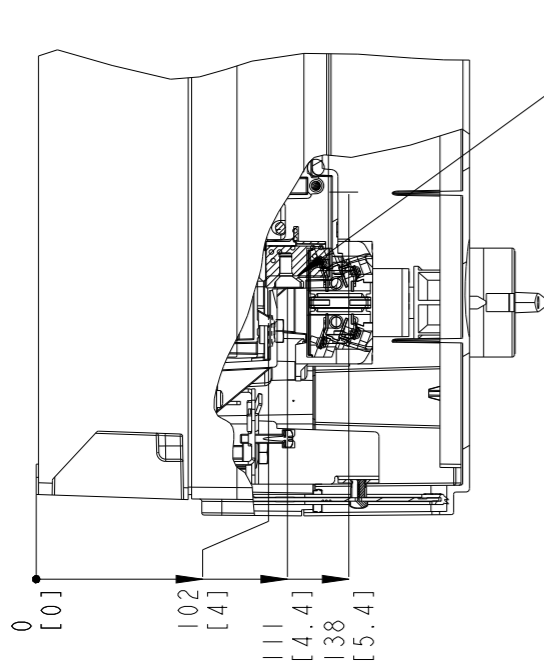
THIS DRAWING SHOWS THE MOST COMMON VERSION OF THIS PRODUCT VARIANT. SMALL DIFFERENCES MAY OCCUR DEPENDING ON THE FINAL PRODUCT CONFIGURATION.

CENTER OF GRAVITY: FOR REFERENCE ONLY, THE PRODUCT CONFIGURATION MAY INFLUENCE THE CG IN ALL THREE AXES.

UNLESS OTHERWISE SPECIFIED THE TOLERANCE IS ± 0.1 MM [0.4 INCH]. ALL DIMENSIONS ARE IN MILLIMETERS [INCH]			FIRST ANGLE PROJECTION	SCALE 1:10	DRAWING SIZE A3	MATERIAL
						FINISH
						DESCRIPTION
						MCAD-FB03-IP55
CHANGED						DRAWING NUMBER
DESIGNED	Danfoss	2026-03-04				MCAD-FB03-IP55
CHECKED						MODEL
						FB03
						REV
						SHEET
						1 OF 2

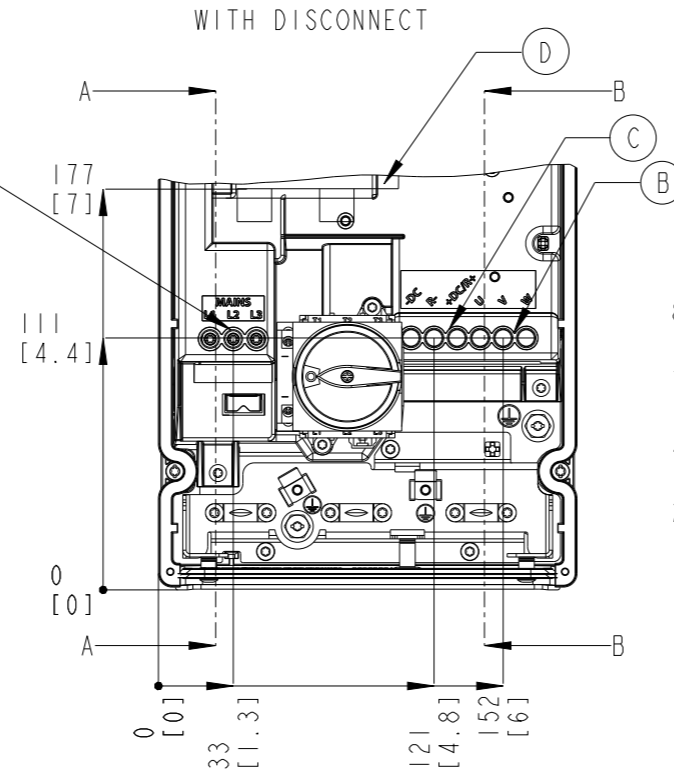
PROPERTY OF DANFOSS A/S NORDBOG, DENMARK. TWO OR THREE DIMENSIONAL REPRODUCTION OF CONTENTS TO BE AUTHORIZED BY DANFOSS A/S.

SECTION A-A
LINE TERMINALS

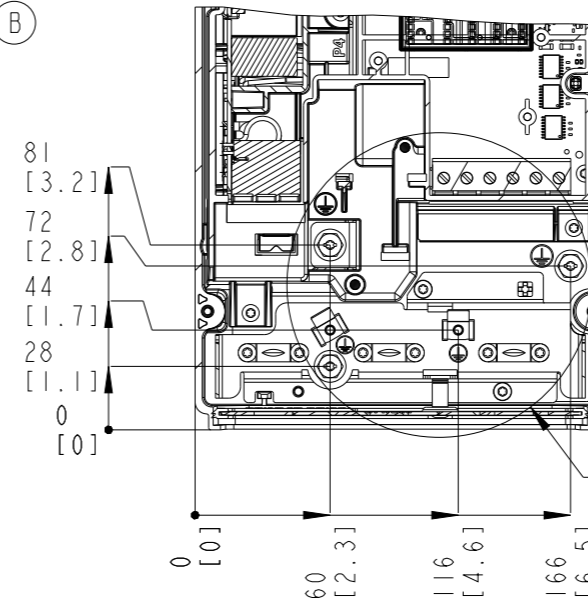


SECTION C-C
PE POSITIONS

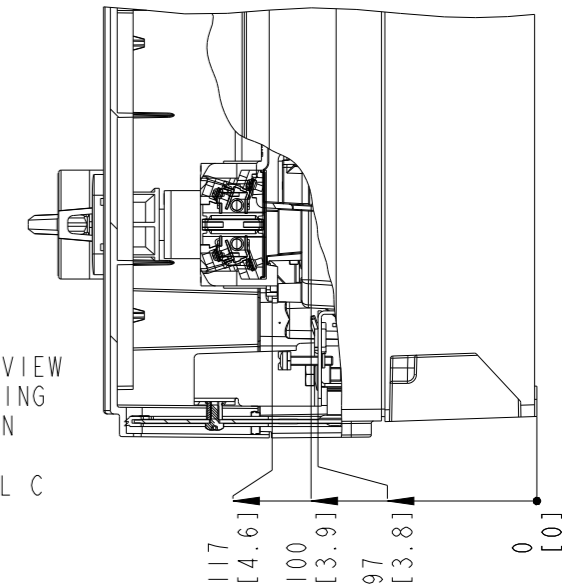
WITH DISCONNECT



WITHOUT DISCONNECT



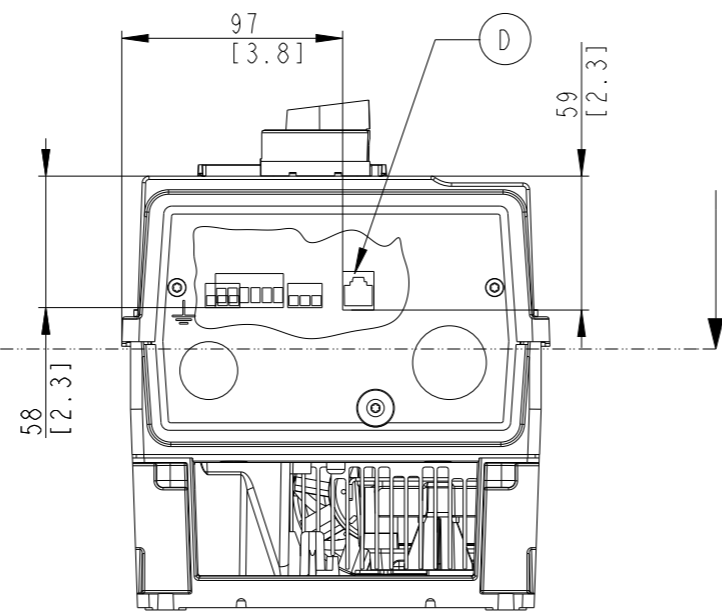
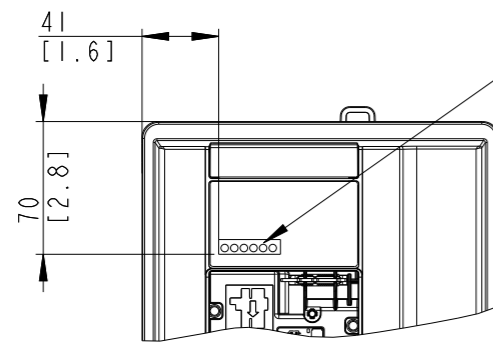
SECTION B-B
MOTOR TERMINALS



DETAILED VIEW OF GROUNDING CONNECTION

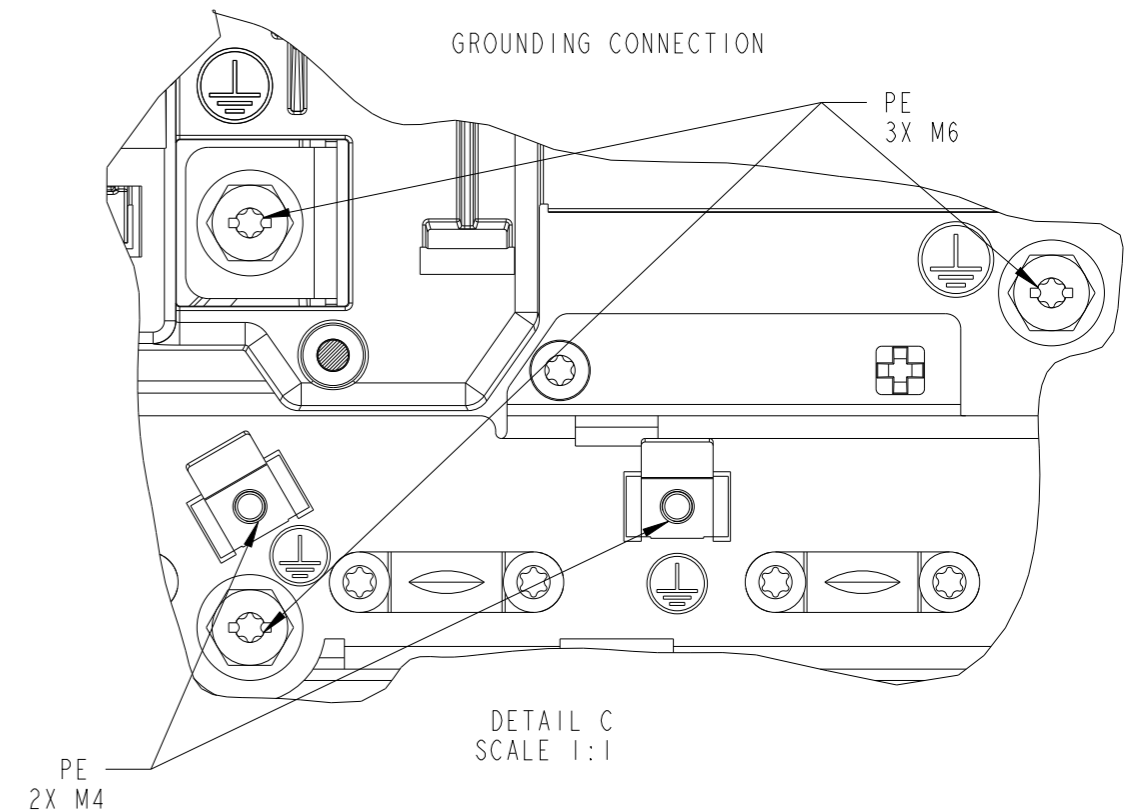
SEE DETAIL C

INTERFACE X4



BOTTOM VIEW

GROUNDING CONNECTION



DETAIL C
SCALE 1:1

Position of connectors	
A	Line
B	Motor
C	Brake/DC
D	Interface X0
E	Interface X1/X2 or X4

THIS DRAWING SHOWS THE MOST COMMON VERSION OF THIS PRODUCT VARIANT.
SMALL DIFFERENCES MAY OCCUR DEPENDING ON THE FINAL PRODUCT CONFIGURATION.

PROPERTY OF DANFOSS A/S NORDBOG, DENMARK. TWO OR THREE DIMENSIONAL REPRODUCTION OF CONTENTS TO BE AUTHORIZED BY DANFOSS A/S.

DRAWING NUMBER	REV
MCAD-FB03-1P55	
MODEL	SHEET
FB03	2 OF 2