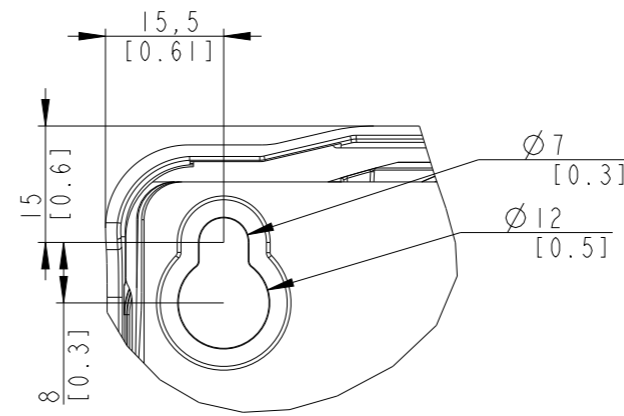
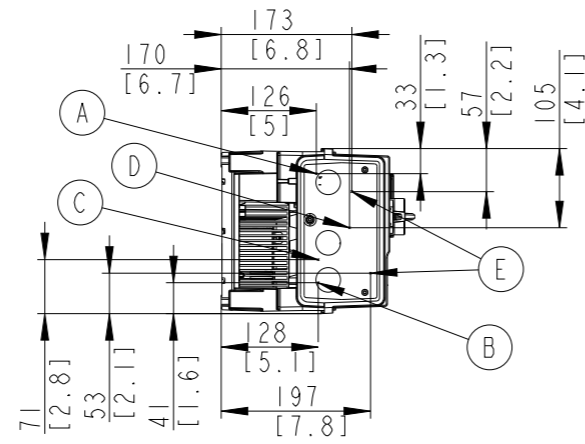
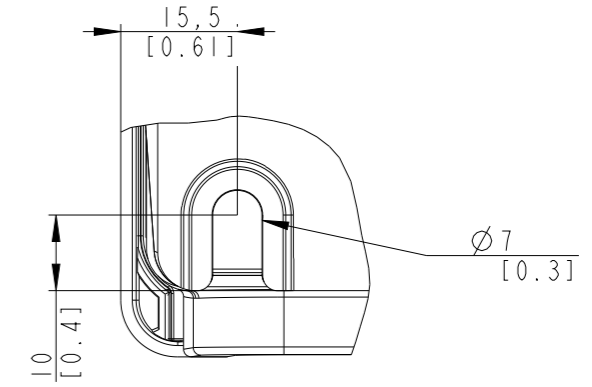


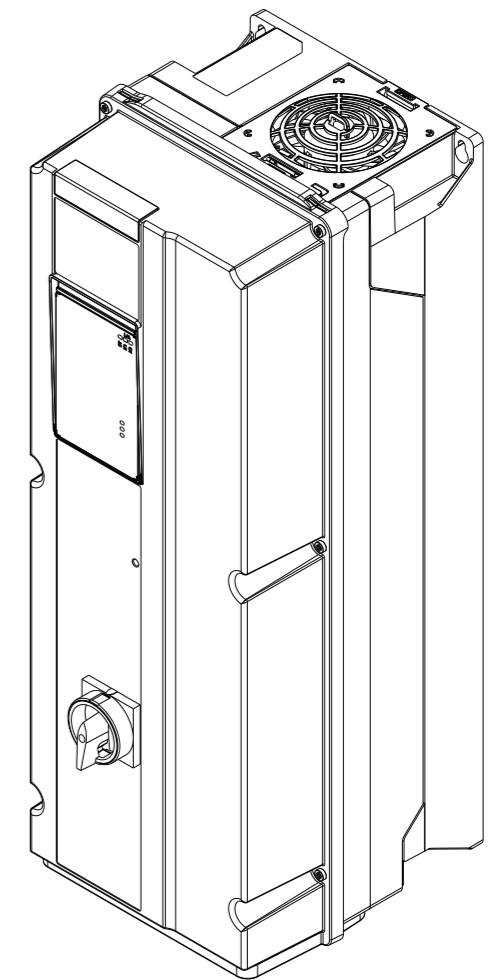
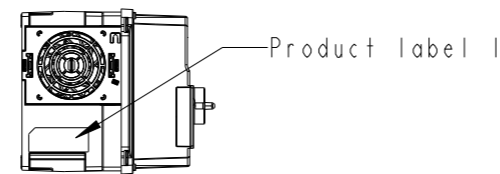
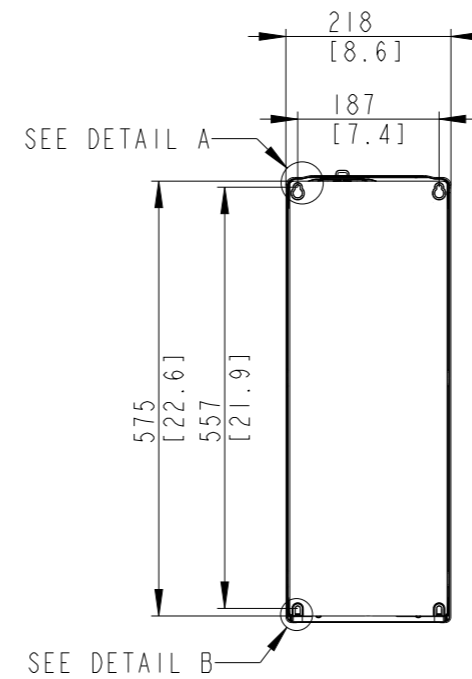
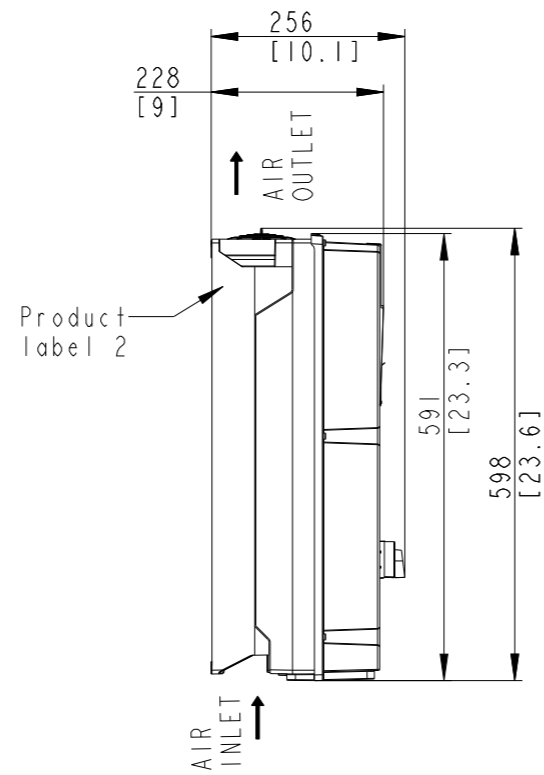
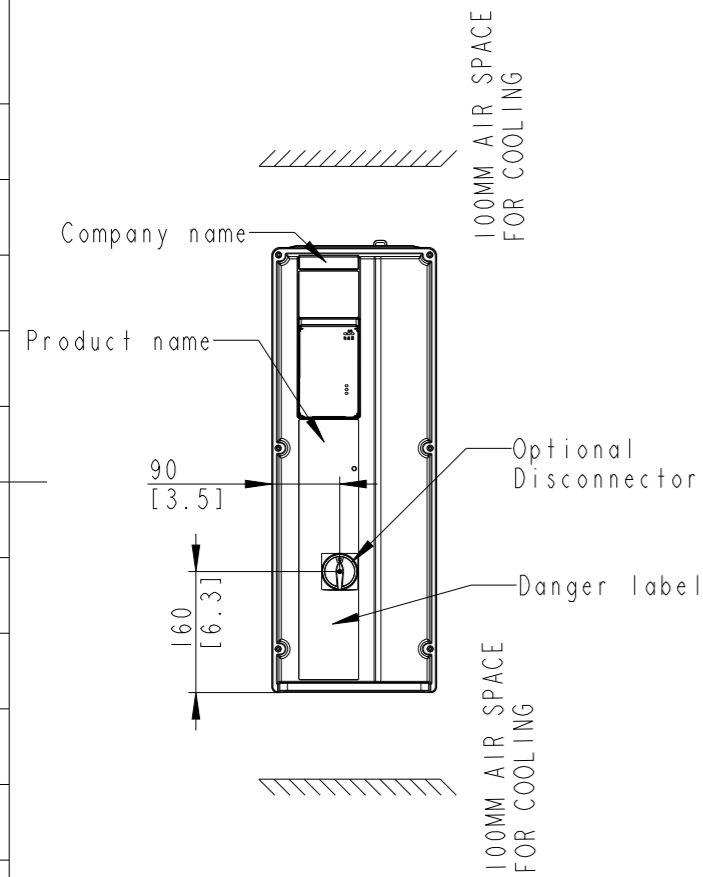
Type	Value
Max Weight	15kg / 33 lb
IP Class	IP55
UL Type	Type 12



DETAIL A  
SCALE 1:1



DETAIL B  
SCALE 1:1



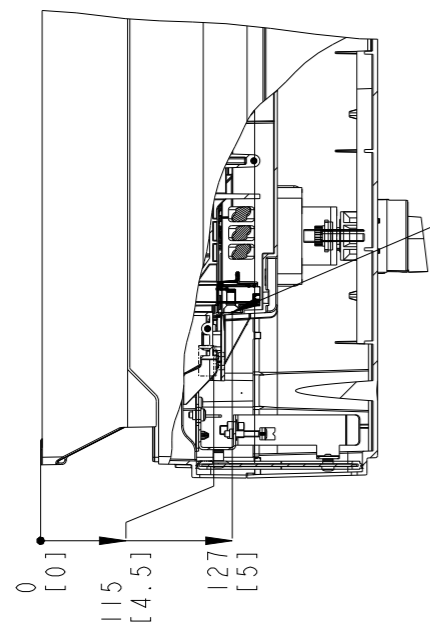
Position of connectors	
A	Line
B	Motor
C	Brake / DC
D	Interface X0
E	Interface X1/X2 or X4

THIS DRAWING SHOWS THE MOST COMMON VERSION OF THIS PRODUCT VARIANT.  
SMALL DIFFERENCES MAY OCCUR DEPENDING ON THE FINAL PRODUCT CONFIGURATION.

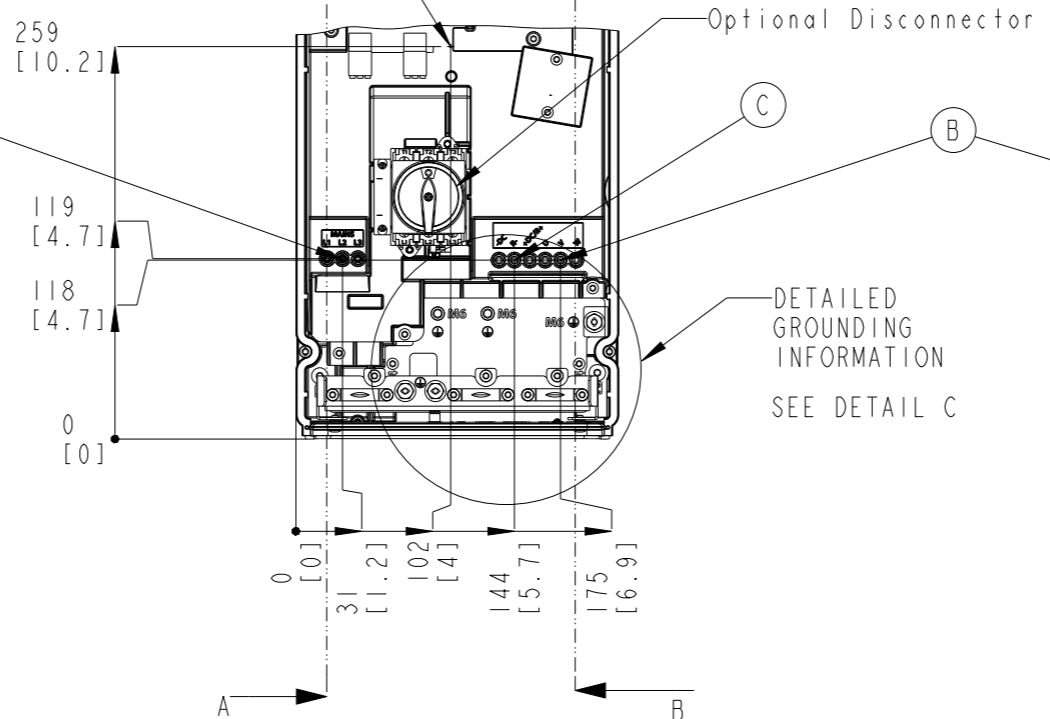
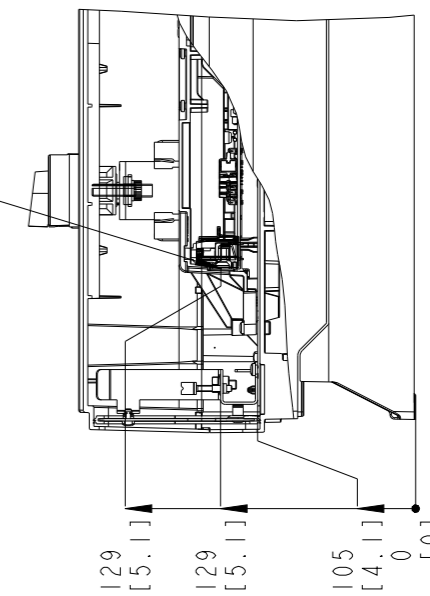
CENTER OF GRAVITY:  
FOR REFERENCE ONLY, THE PRODUCT CONFIGURATION MAY INFLUENCE THE CG IN ALL THREE AXES.

UNLESS OTHERWISE SPECIFIED THE TOLERANCE IS ±0.1MM [0.4 INCH]. ALL DIMENSIONS ARE IN MILLIMETERS [INCH]			FIRST ANGLE PROJECTION	SCALE 1:10	DRAWING SIZE A3	MATERIAL
						FINISH
						DESCRIPTION
CHANGED						MCAD-FB05-IP55
DESIGNED	Danfoss	2026-04-30				
CHECKED						
PROPERTY OF DANFOSS A/S NORDBORG, DENMARK. TWO OR THREE DIMENSIONAL REPRODUCTION OF CONTENTS TO BE AUTHORIZED BY DANFOSS A/S.						DRAWING NUMBER
						MCAD-FB05-IP55
						MODEL
						FB05
						REV
						SHEET 1 OF 2

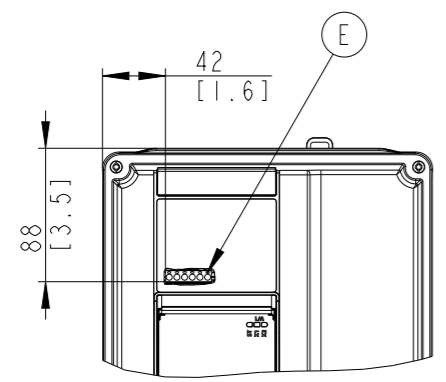
SECTION A-A  
LINE TERMINALS



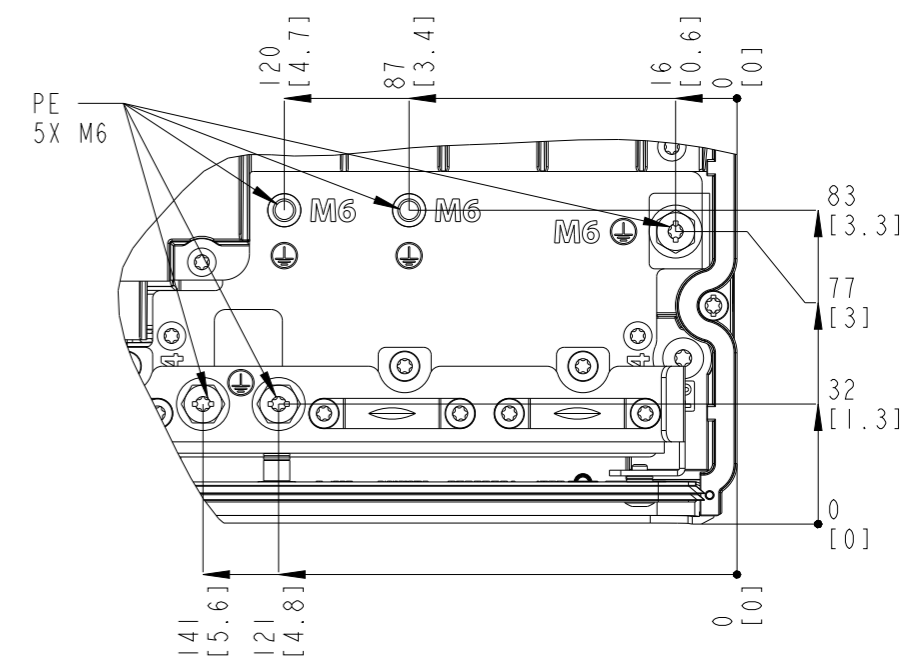
SECTION B-B  
MOTOR / DC / BRAKE TERMINALS



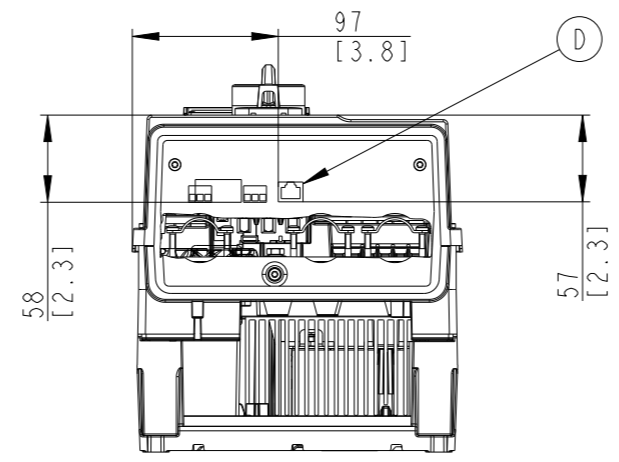
INTERFACE X4



GROUNDING INFORMATION



BOTTOM VIEW



DETAIL C  
SCALE 1:2

Position of connectors	
A	Line
B	Motor
C	Brake / DC
D	Interface X0
E	Interface X1/X2 or X4

THIS DRAWING SHOWS THE MOST COMMON VERSION OF THIS PRODUCT VARIANT.  
SMALL DIFFERENCES MAY OCCUR DEPENDING ON THE FINAL PRODUCT CONFIGURATION.

PROPERTY OF DANFOSS A/S NORDBOG, DENMARK. TWO OR THREE DIMENSIONAL REPRODUCTION OF CONTENTS TO BE AUTHORIZED BY DANFOSS A/S.

DRAWING NUMBER	MCAD-FB05-1P55	REV
MODEL	FB05	SHEET 2 OF 2