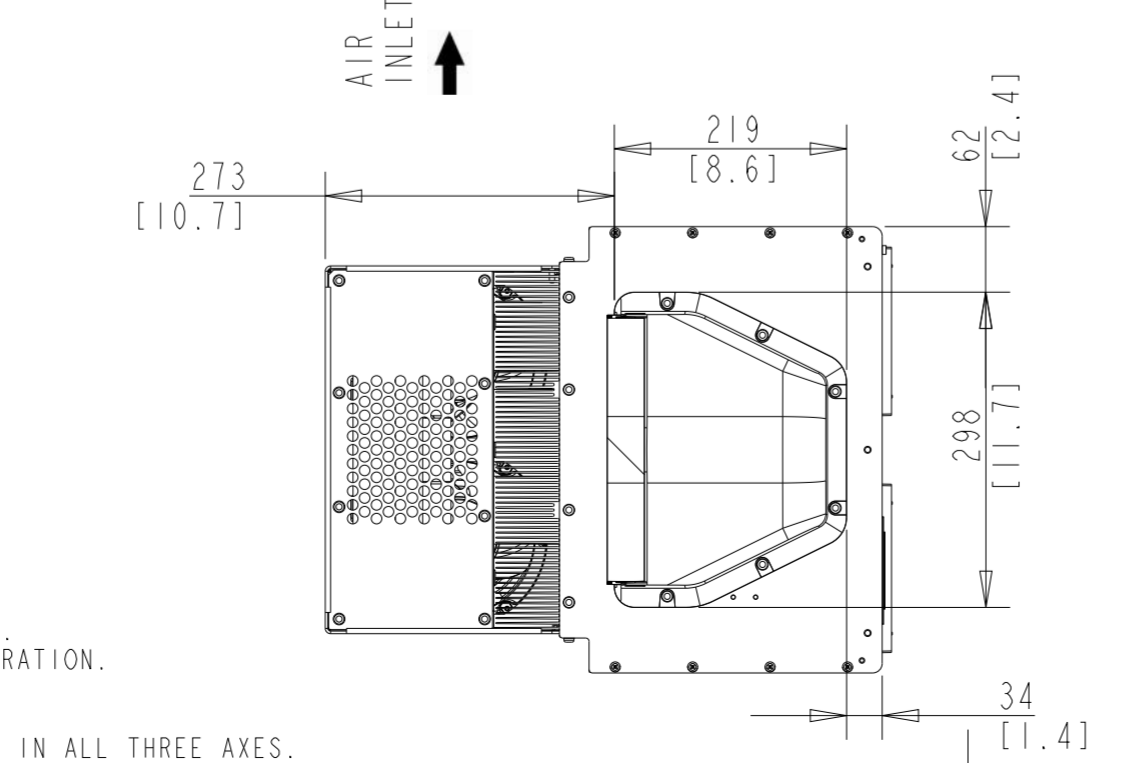
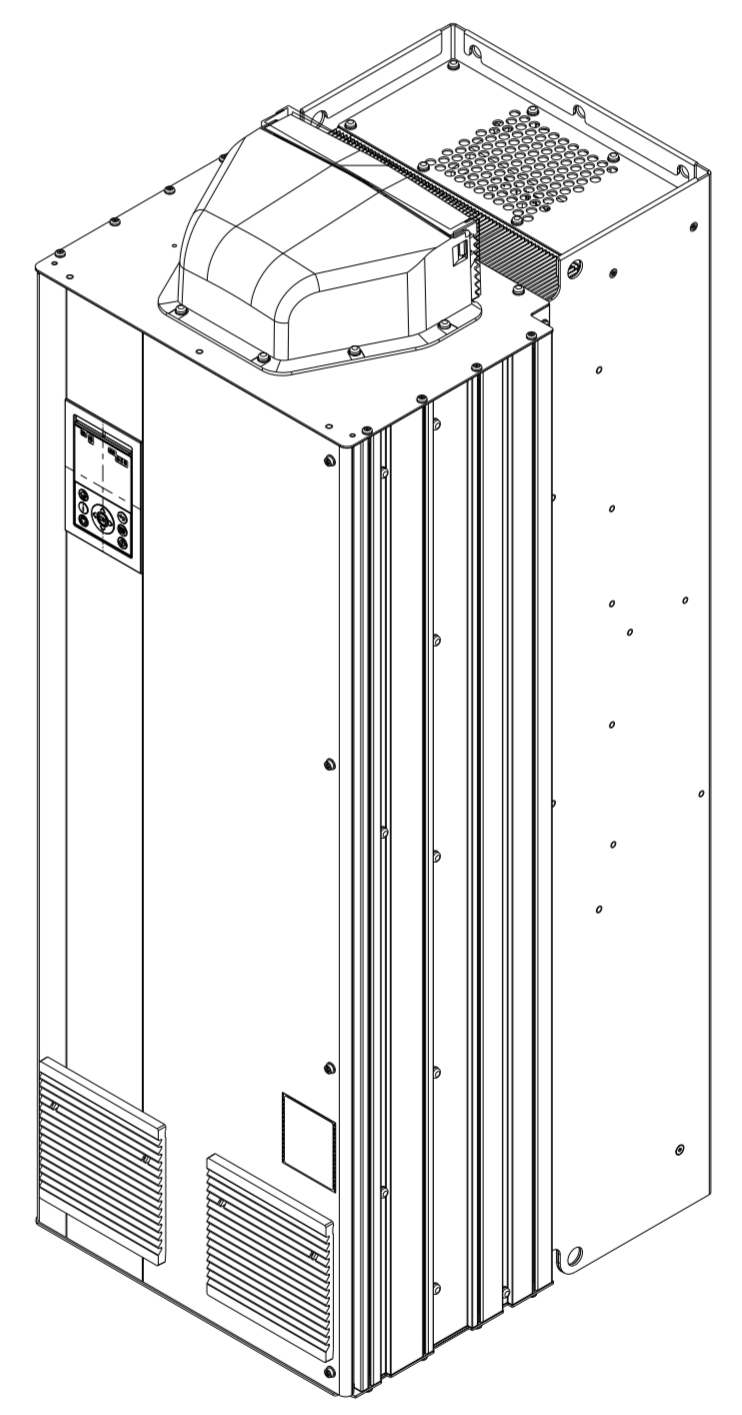
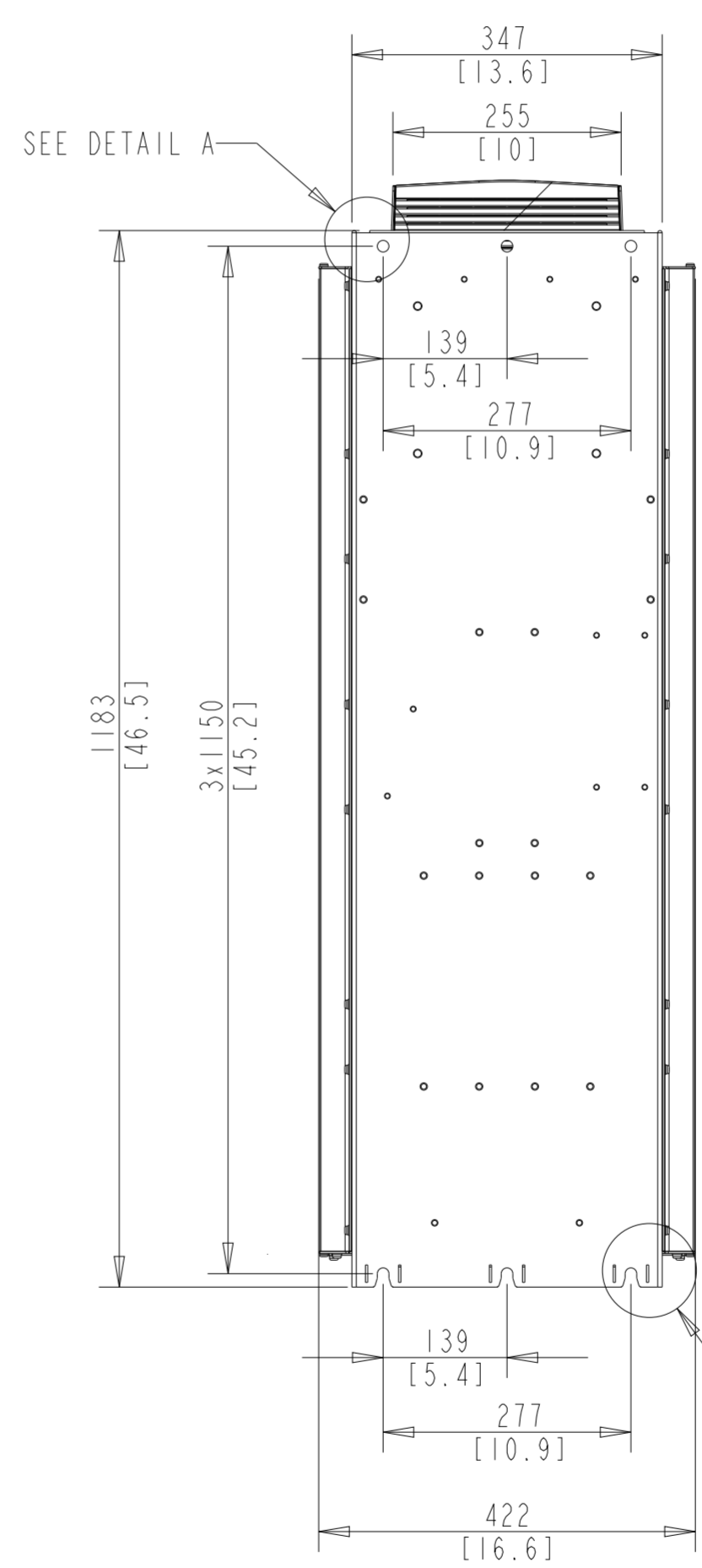
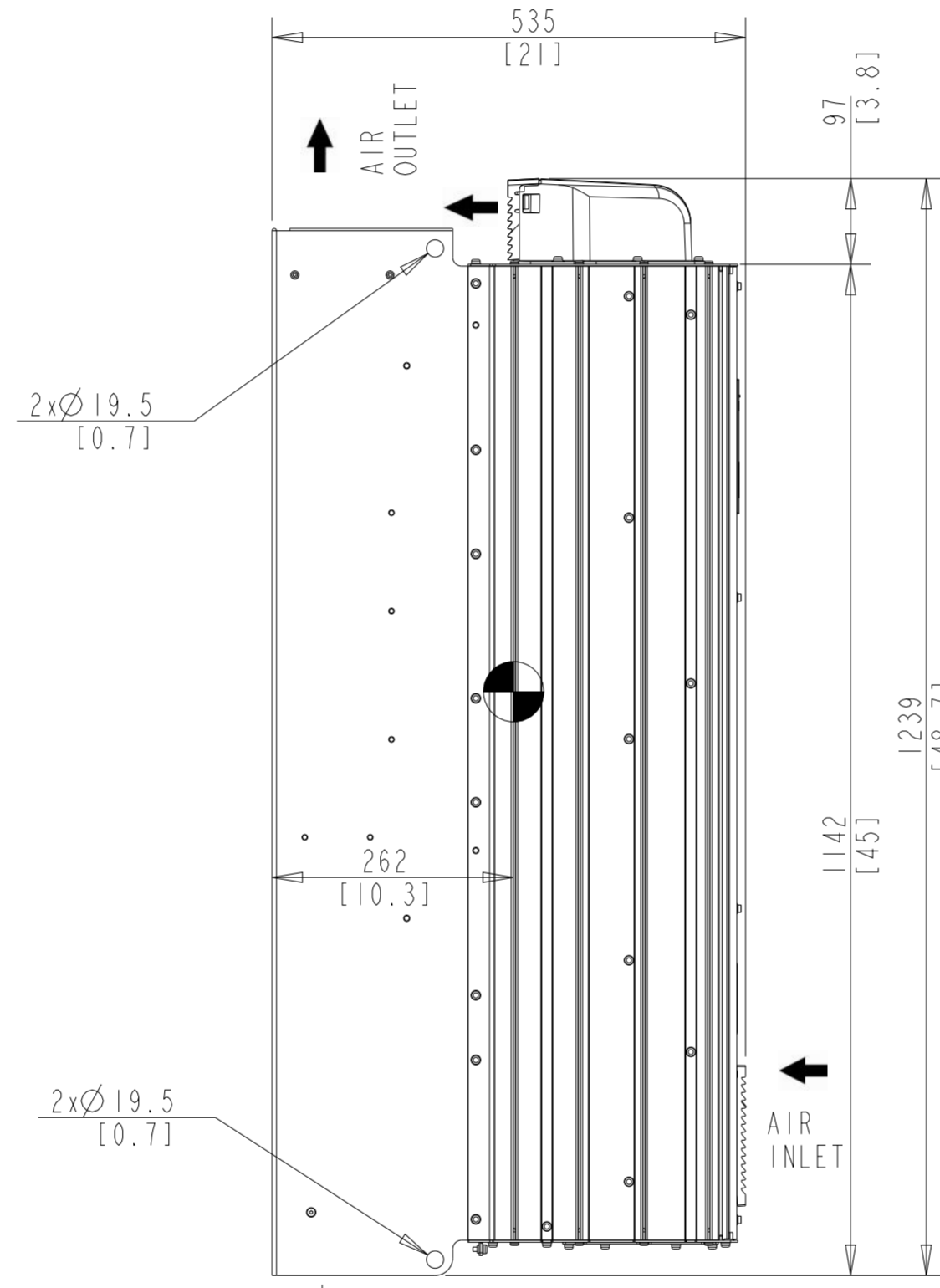
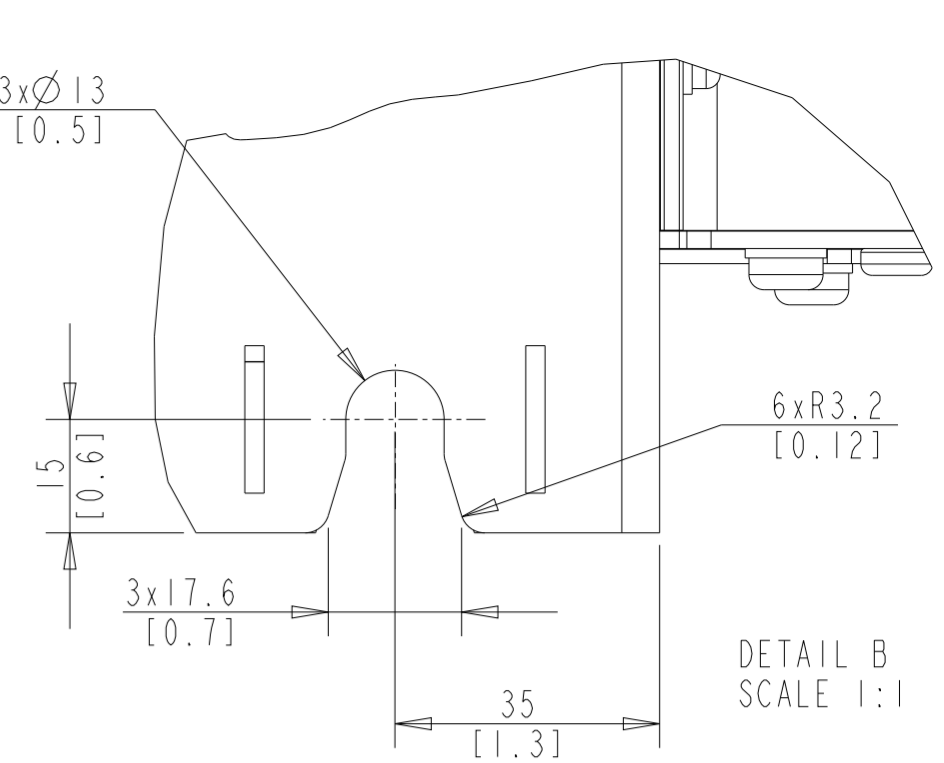
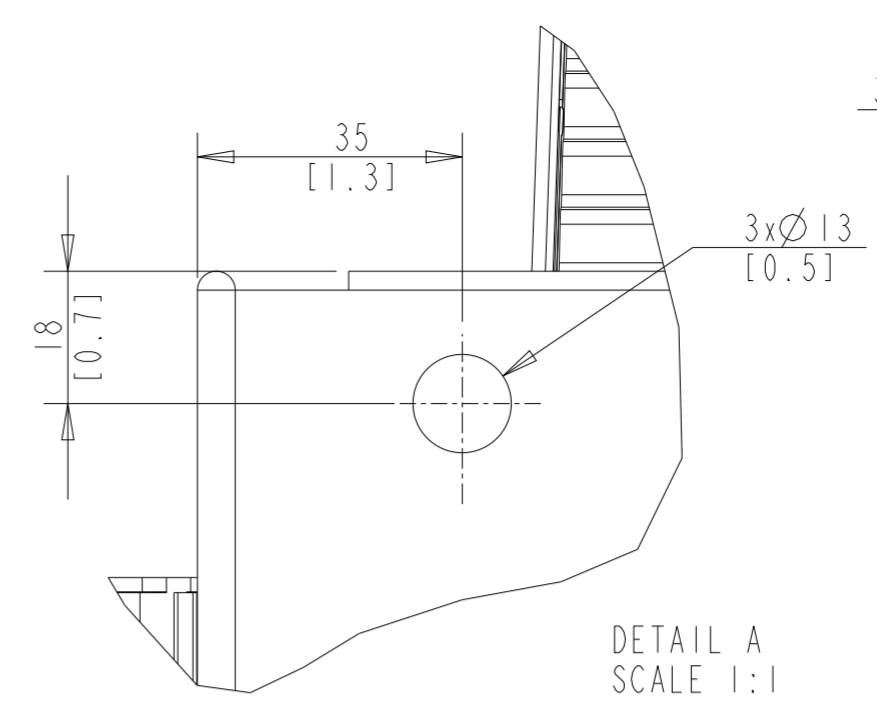
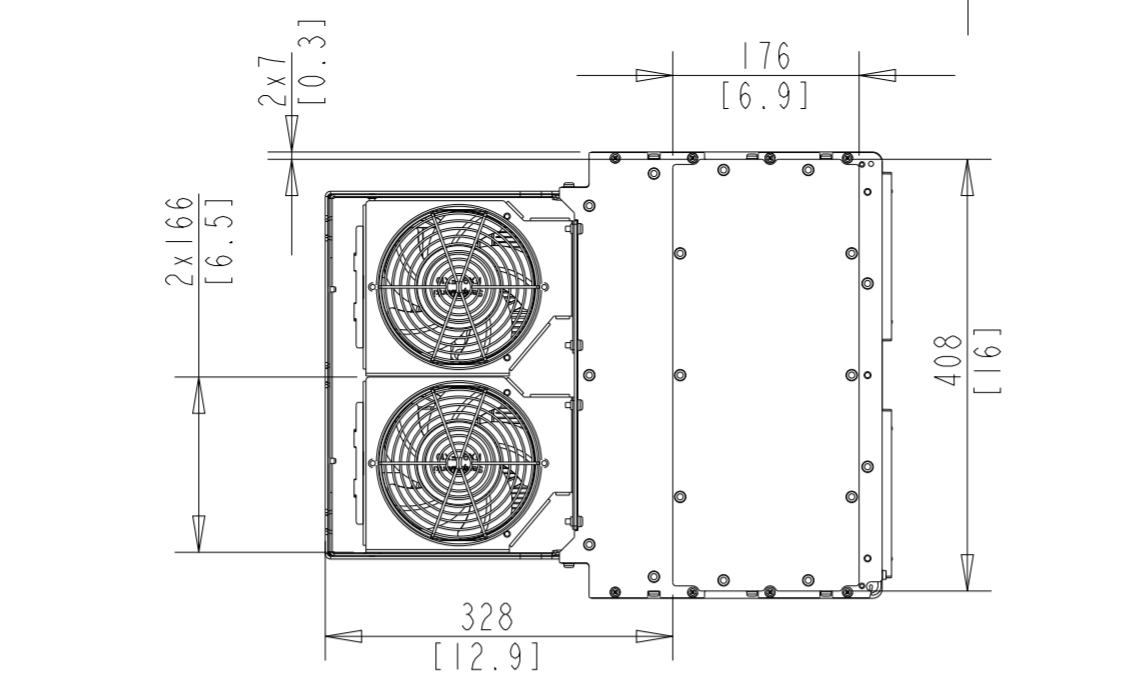
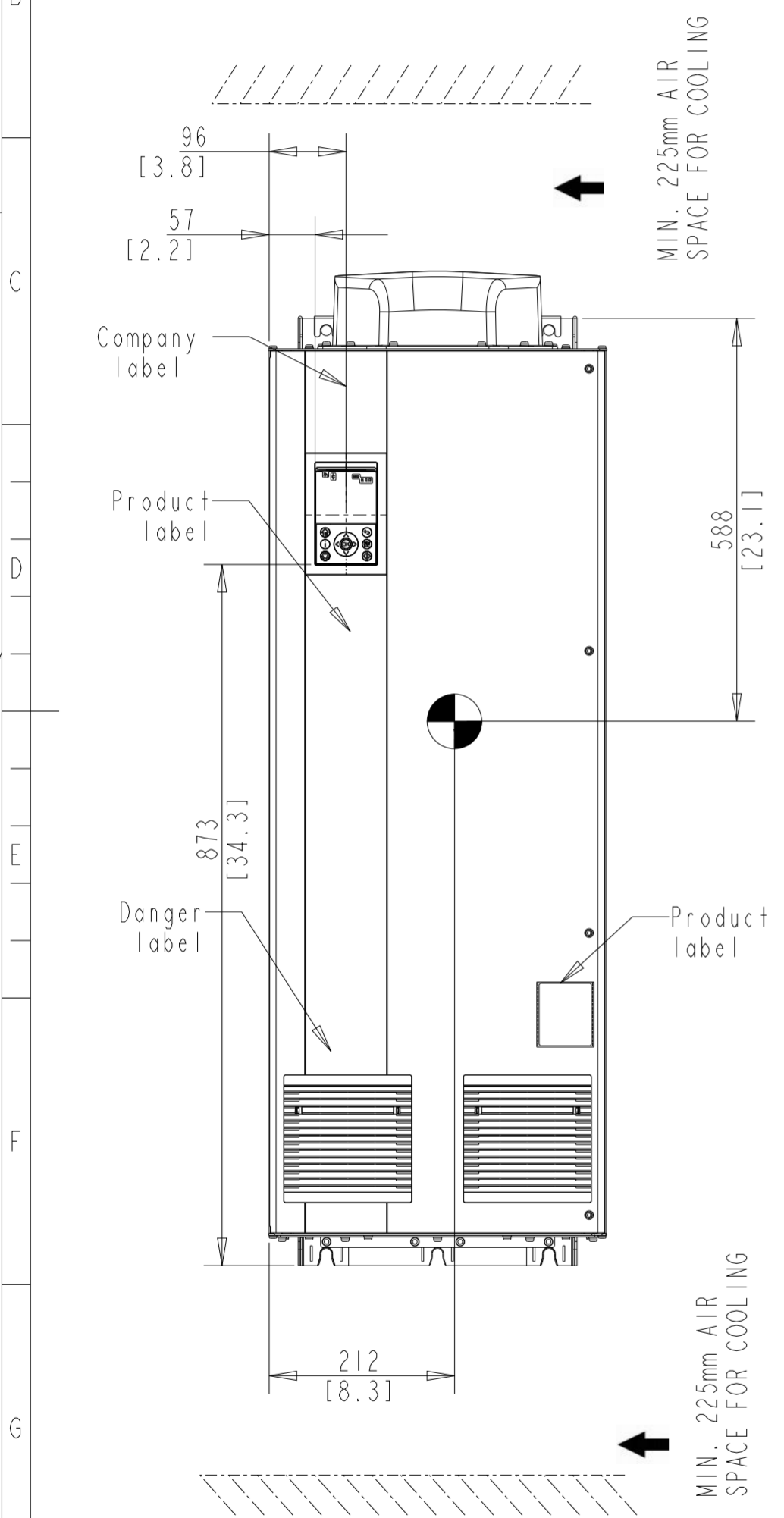


| Type       | Value       |
|------------|-------------|
| Max Weight | 158kg/348lb |
| IP class   | IP54        |
| UL Type    | Type 12     |



THIS DRAWING SHOWS THE MOST COMMON VERSION OF THIS PRODUCT VARIANT. SMALL DIFFERENCES MAY OCCUR DEPENDING ON THE FINAL PRODUCT CONFIGURATION.

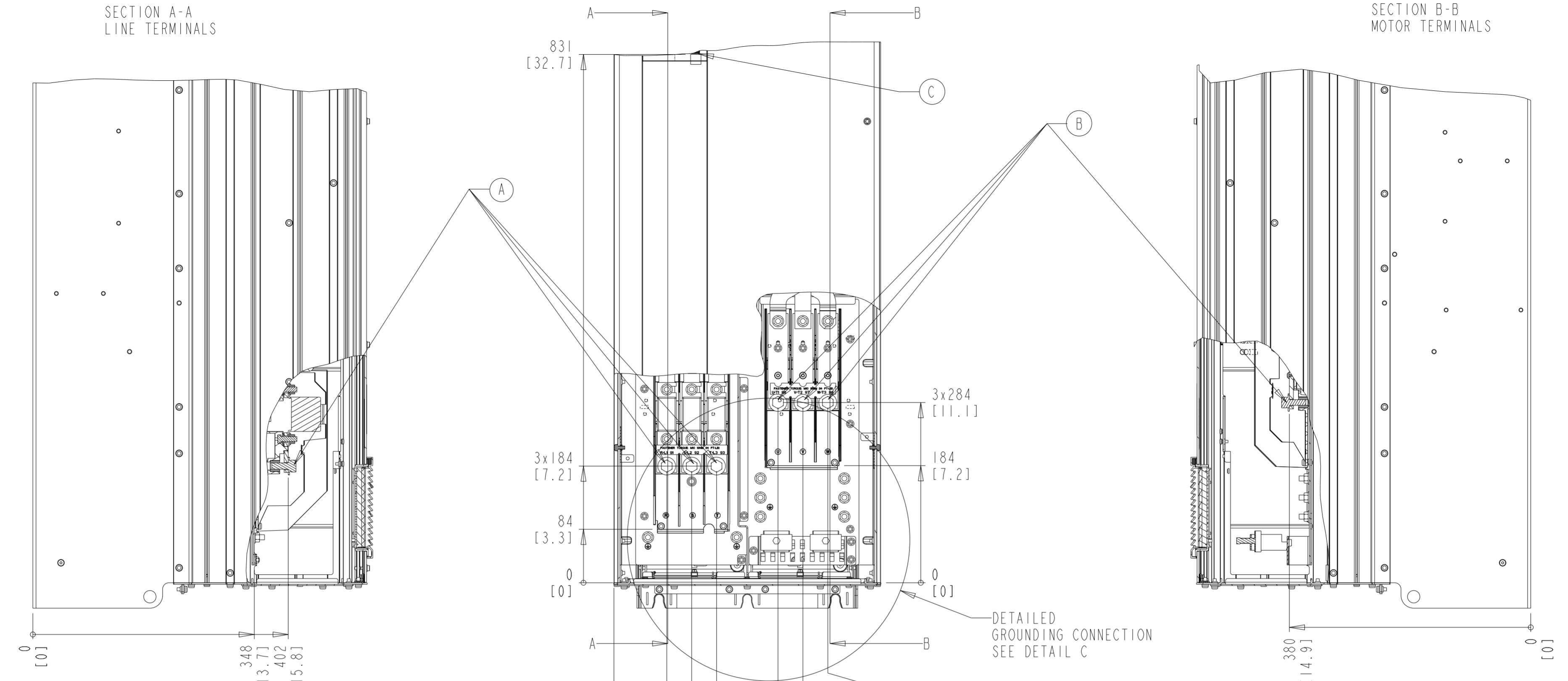
CENTER OF GRAVITY: FOR REFERENCE ONLY, THE PRODUCT CONFIGURATION MAY INFLUENCE THE CG IN ALL THREE AXES.

|  |         |                        |                 |              |          |
|--|---------|------------------------|-----------------|--------------|----------|
| UNLESS OTHERWISE SPECIFIED THE TOLERANCE IS ±1MM (0.4 INCH). ALL DIMENSIONS ARE IN MILLIMETERS (INCH)                        |         | FIRST ANGLE PROJECTION | SCALE           | DRAWING SIZE | MATERIAL |
|  |         |                        | 0.250           | A2           |          |
|  |         | FINISH                 |                 |              |          |
|  |         | DESCRIPTION            |                 |              |          |
| CHANGED  |         | MCAD-FB106-IP54        |                 |              |          |
| DESIGNED   | DANFOSS | 2026-04-10             |                 |              |          |
| CHECKED  |         |                        |                 |              |          |
| PROPERTY OF DANFOSS A/S NORDBOG, DENMARK. TWO OR THREE DIMENSIONAL REPRODUCTION OF CONTENTS TO BE AUTHORIZED BY DANFOSS A/S. |         | DRAWING NUMBER         | MCAD-FB106-IP54 | REV          | 001      |
|  |         | MODEL                  | MCAD-FB106-IP54 | SHEET        | 1 OF 2   |



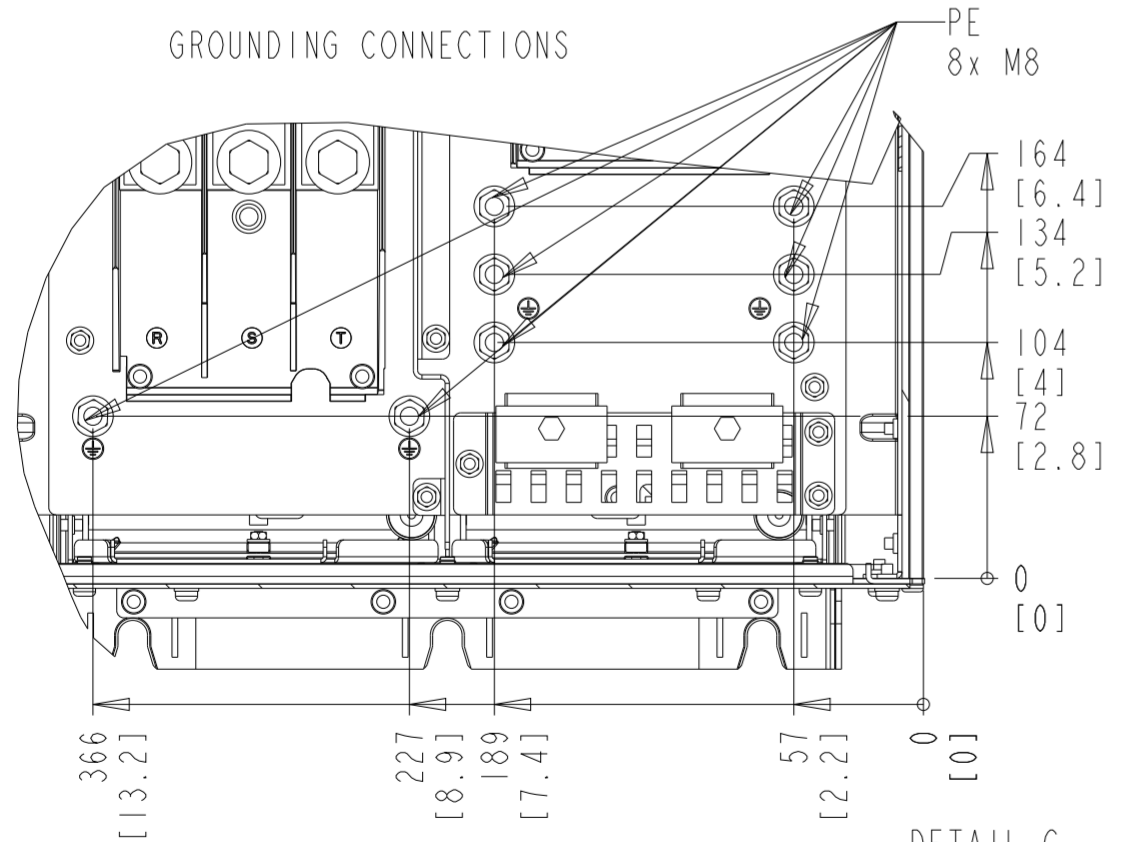
SECTION A-A  
LINE TERMINALS

SECTION B-B  
MOTOR TERMINALS



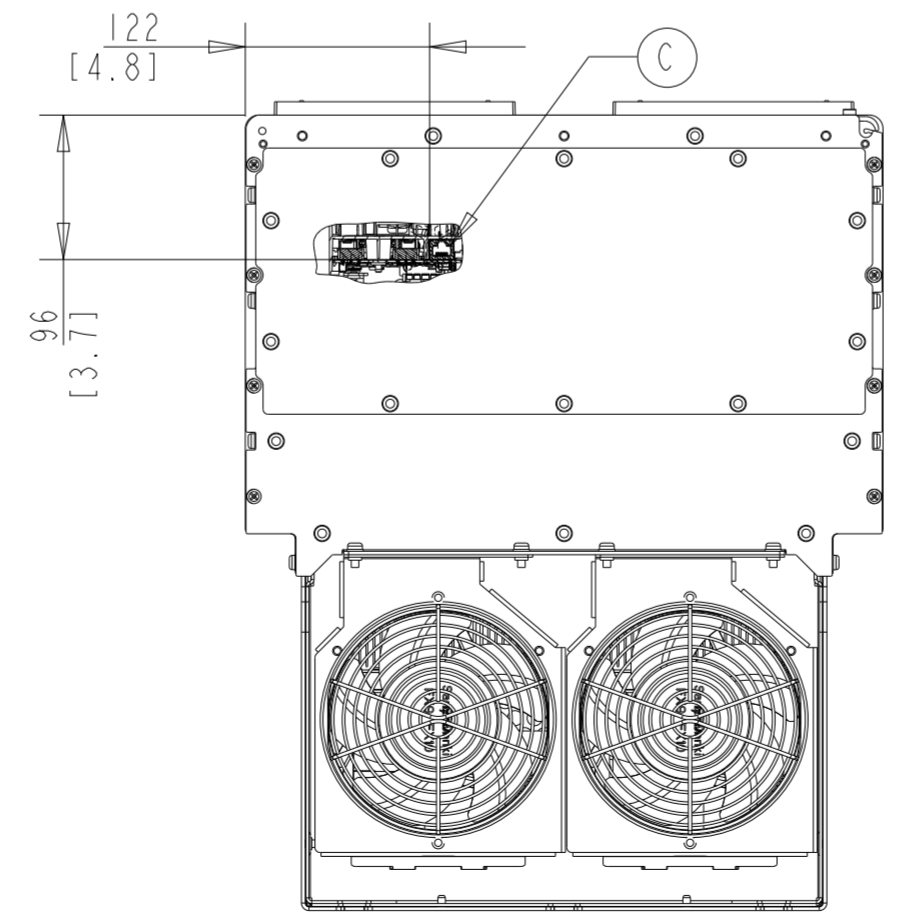
DETAILED  
GROUNDING CONNECTION  
SEE DETAIL C

GROUNDING CONNECTIONS



DETAIL C  
SCALE 1:3

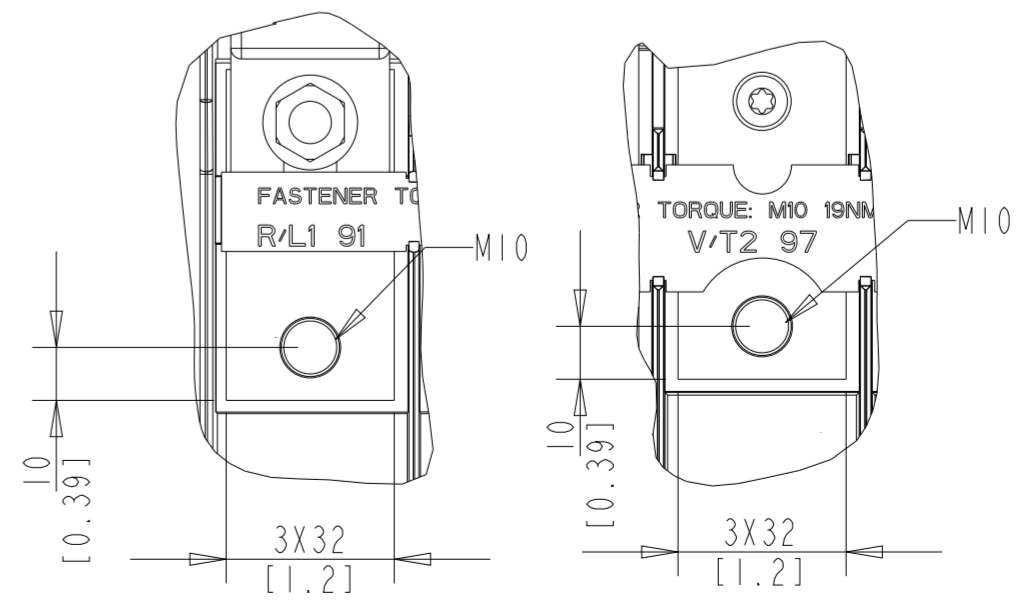
| Position of connectors |                       |
|------------------------|-----------------------|
| A                      | Line                  |
| B                      | Motor                 |
| C                      | Interface X0          |
| D                      | Interface X1/X2 OR X4 |



BOTTOM VIEW

LINE TERMINAL

MOTOR TERMINAL



INTERFACE X1/X2 OR X4

