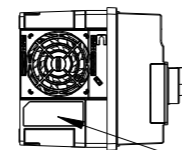
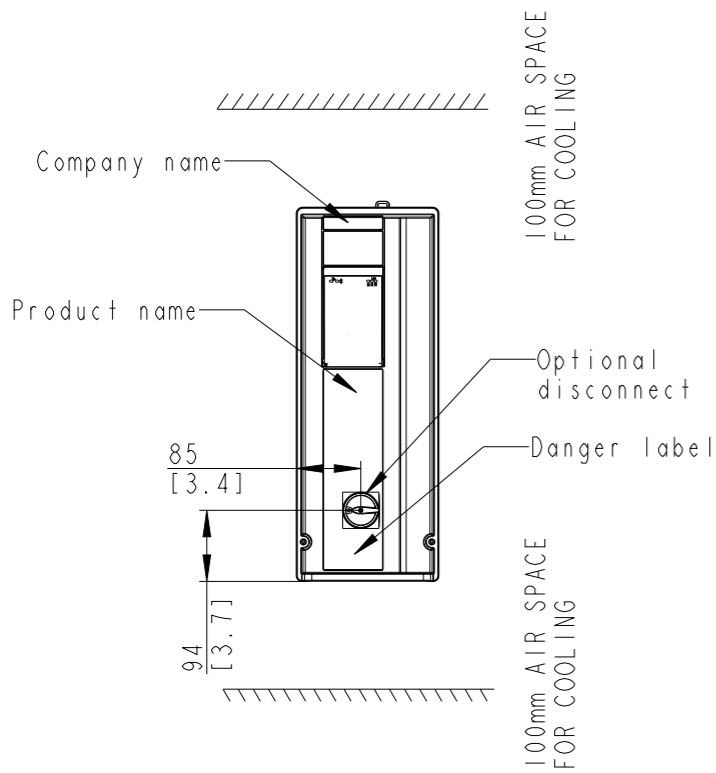
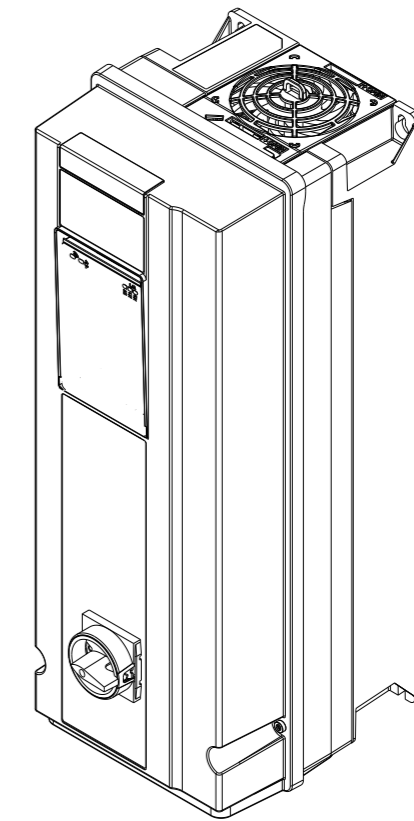
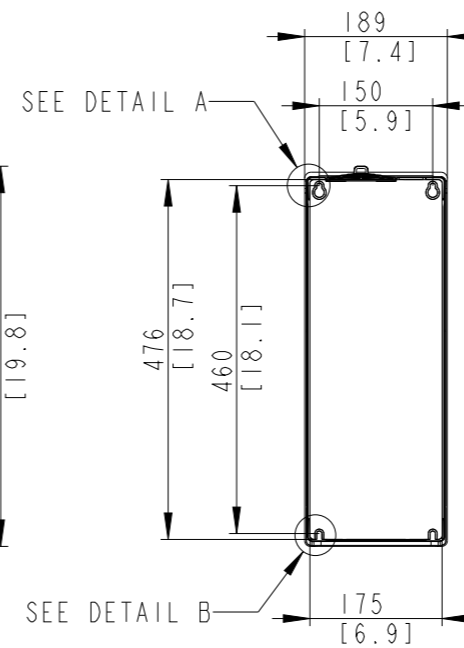
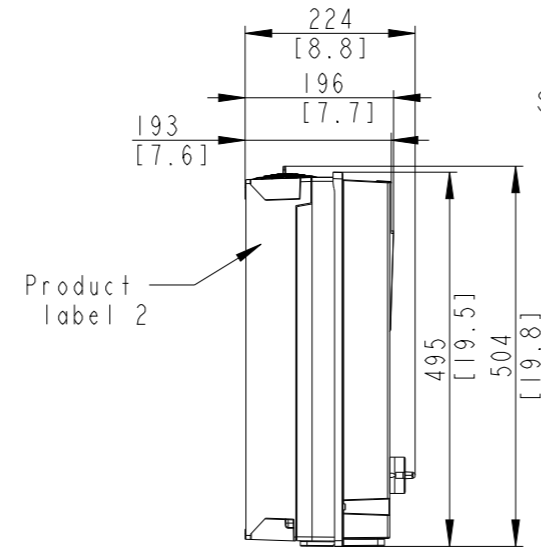
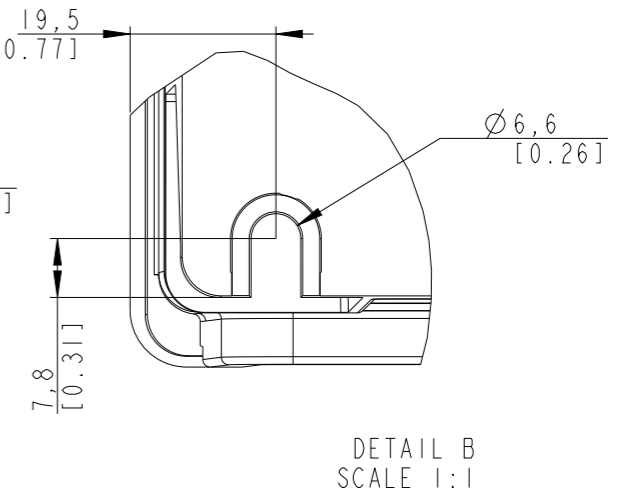
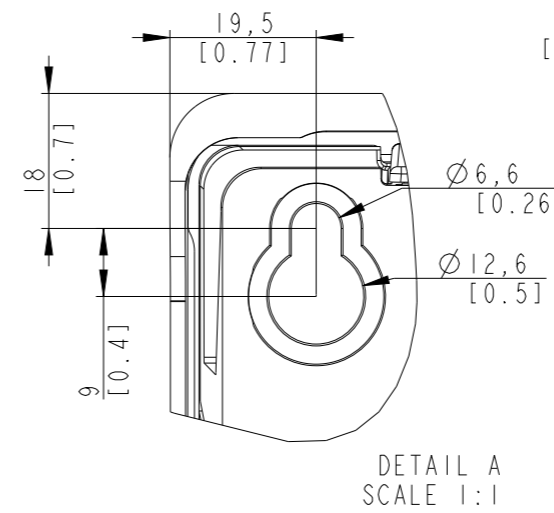
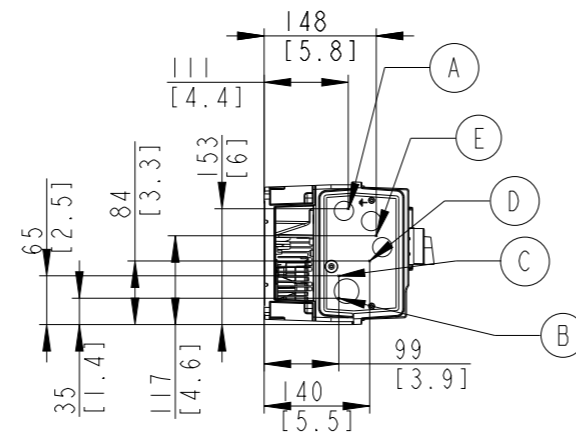


Type	Value
Max Weight	9.5kg/20.9lb
IP Class	IP21
UL type	Type I



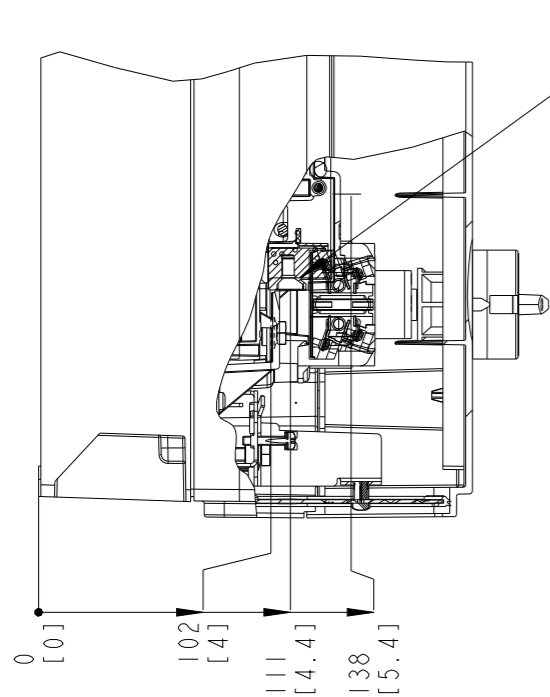
Position of connectors	
A	Line
B	Motor
C	Brake/DC
D	Interface X0
E	Interface X1/X2 or X4

THIS DRAWING SHOWS THE MOST COMMON VERSION OF THIS PRODUCT VARIANT. SMALL DIFFERENCES MAY OCCUR DEPENDING ON THE FINAL PRODUCT CONFIGURATION.

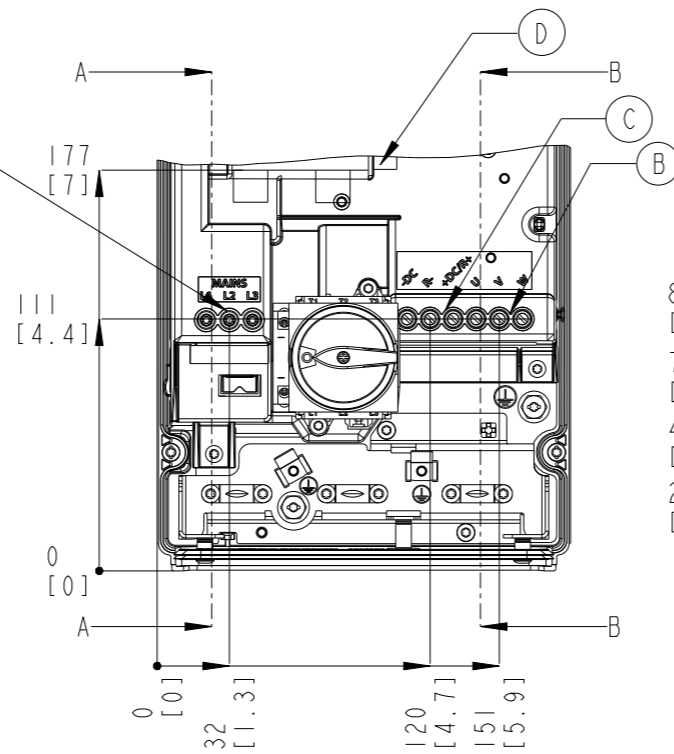
CENTER OF GRAVITY: FOR REFERENCE ONLY, THE PRODUCT CONFIGURATION MAY INFLUENCE THE CG IN ALL THREE AXES.

UNLESS OTHERWISE SPECIFIED THE TOLERANCE IS ± 0.1 MM [0.4 INCH]. ALL DIMENSIONS ARE IN MILLIMETERS [INCH]			FIRST ANGLE PROJECTION	SCALE 1:10	DRAWING SIZE A3	MATERIAL	
						FINISH	
						DESCRIPTION	
CHANGED						MCAD-FK03-IP21	
DESIGNED	Danfoss	2026-03-04					
CHECKED			PROPERTY OF DANFOSS A/S NORDBOG, DENMARK. TWO OR THREE DIMENSIONAL REPRODUCTION OF CONTENTS TO BE AUTHORIZED BY DANFOSS A/S.			DRAWING NUMBER	
						MCAD-FK03-IP21	
						MODEL	
						FK03	
						REV	
						SHEET 1 OF 2	

SECTION A-A
LINE TERMINALS

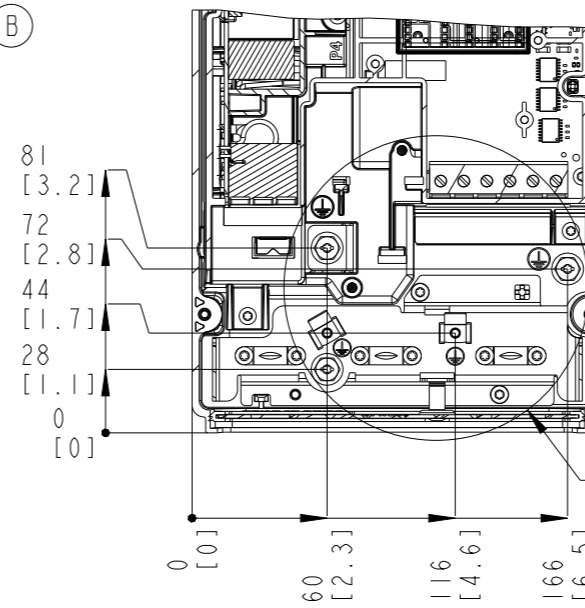


WITH DISCONNECT

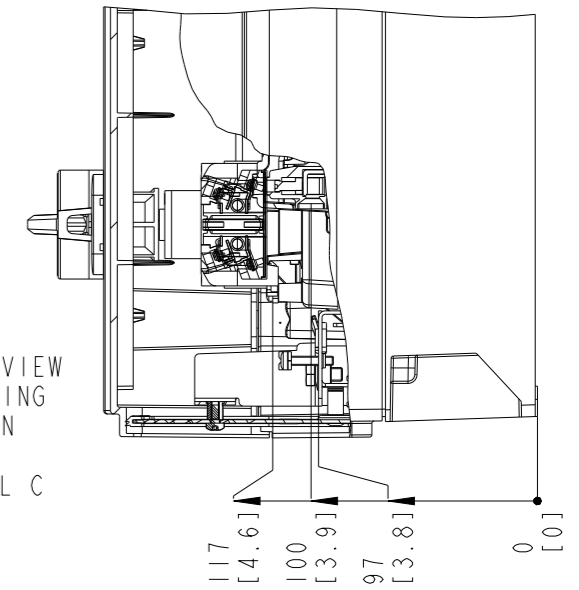


SECTION C-C
PE POSITIONS

WITHOUT DISCONNECT

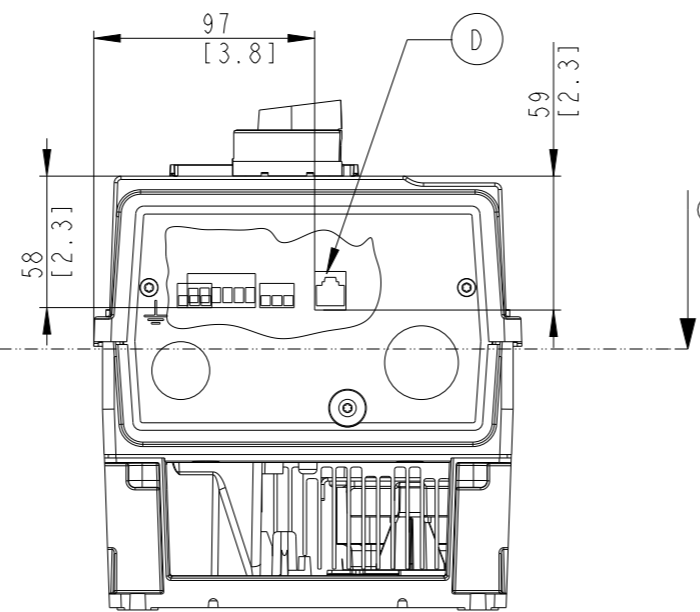
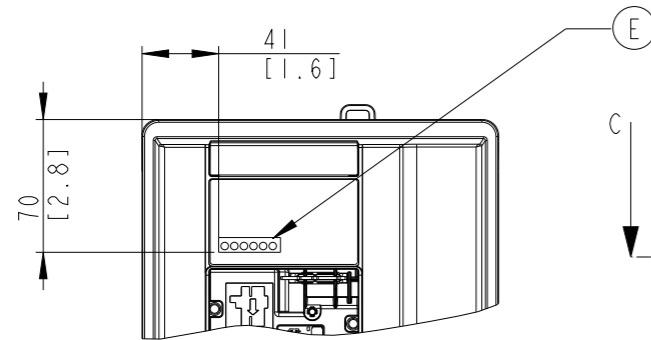


SECTION B-B
MOTOR TERMINALS



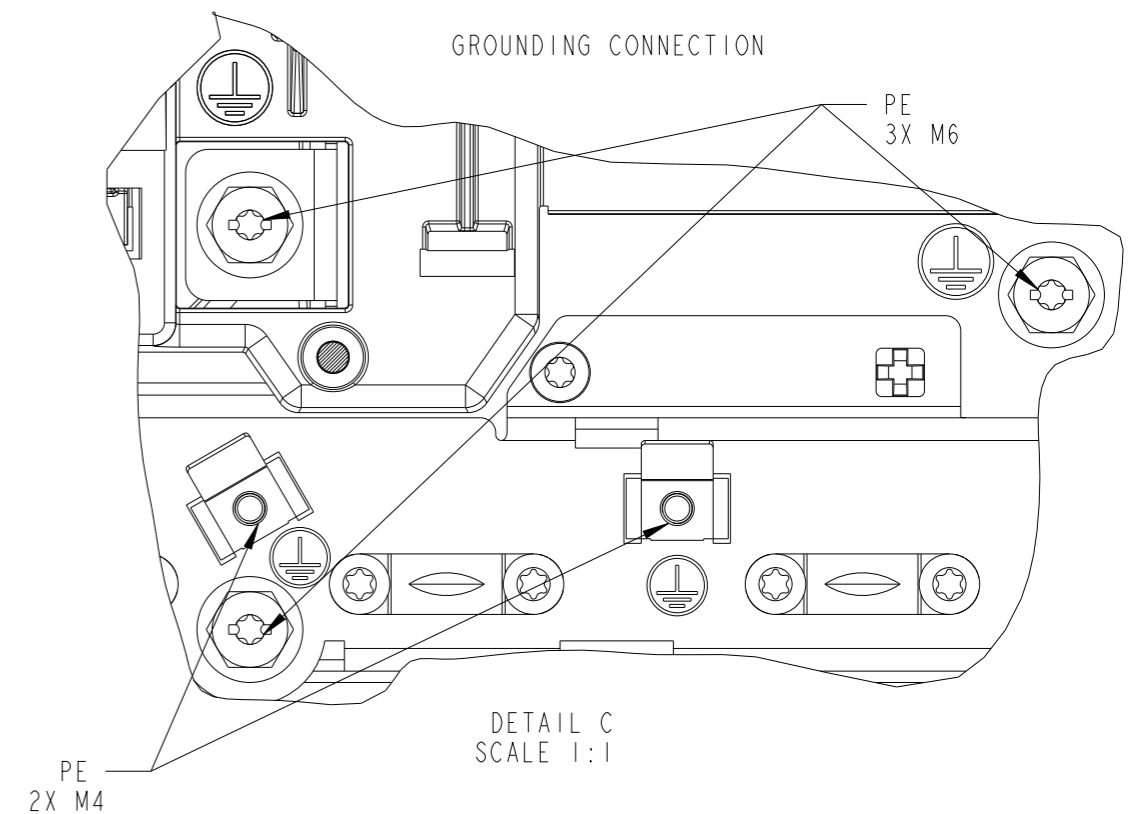
DETAILED VIEW OF GROUNDING CONNECTION
SEE DETAIL C

INTERFACE X4



BOTTOM VIEW

GROUNDING CONNECTION



DETAIL C
SCALE 1:1

Position of connectors	
A	Line
B	Motor
C	Brake/DC
D	Interface X0
E	Interface X1/X2 or X4

THIS DRAWING SHOWS THE MOST COMMON VERSION OF THIS PRODUCT VARIANT.
SMALL DIFFERENCES MAY OCCUR DEPENDING ON THE FINAL PRODUCT CONFIGURATION.

PROPERTY OF DANFOSS A/S NORDBOG, DENMARK. TWO OR THREE DIMENSIONAL REPRODUCTION OF CONTENTS TO BE AUTHORIZED BY DANFOSS A/S.

DRAWING NUMBER	MCAD-FK03-1P21	REV
MODEL	FK03	SHEET 2 OF 2