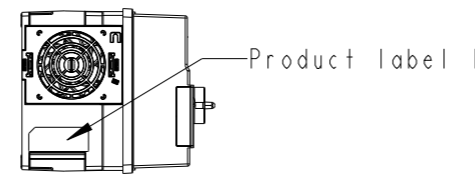
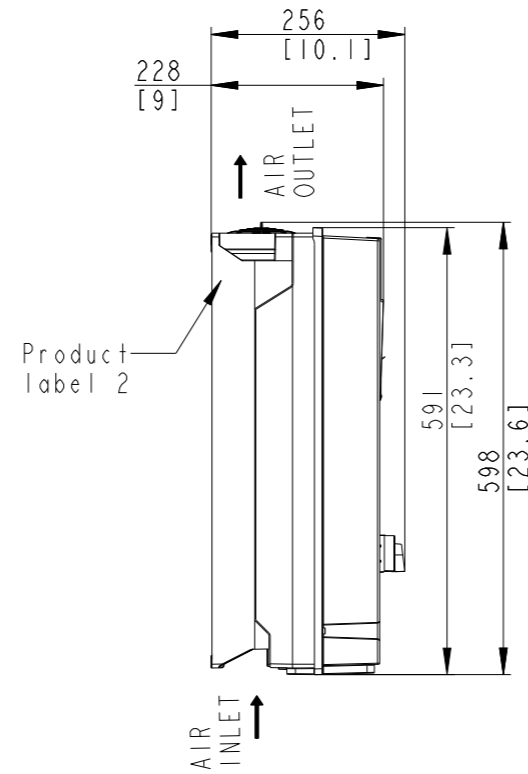
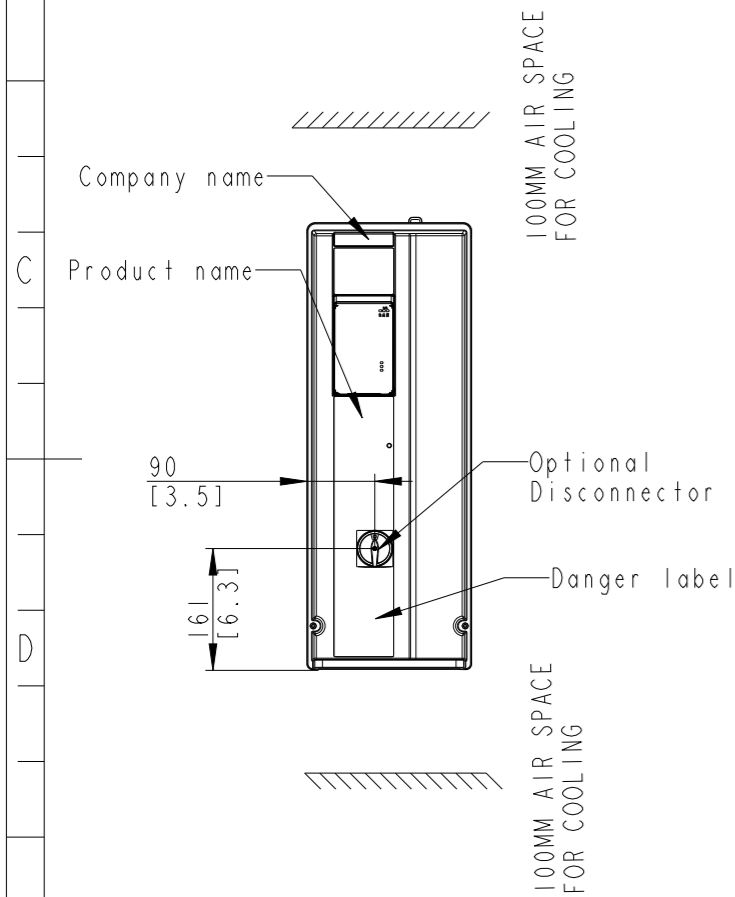
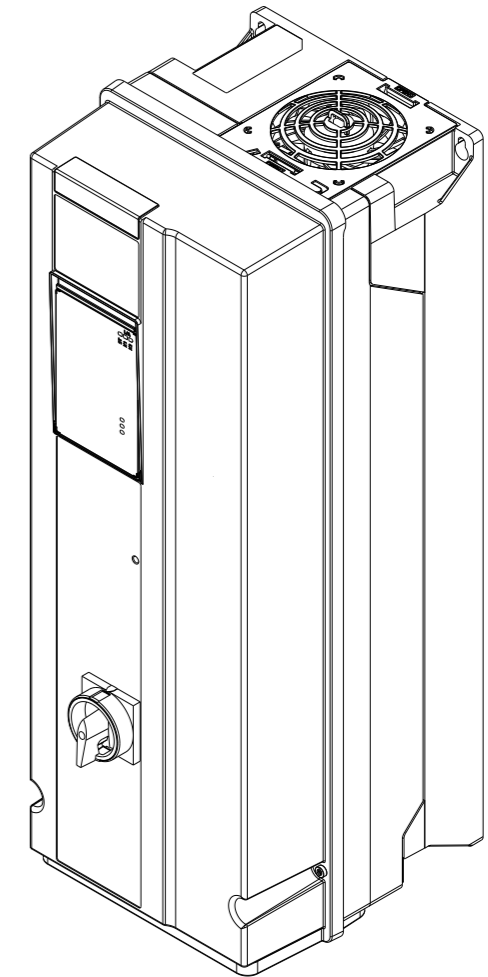
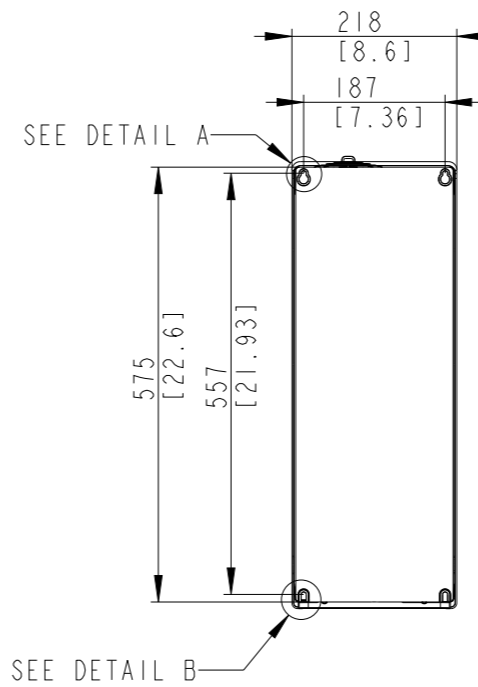
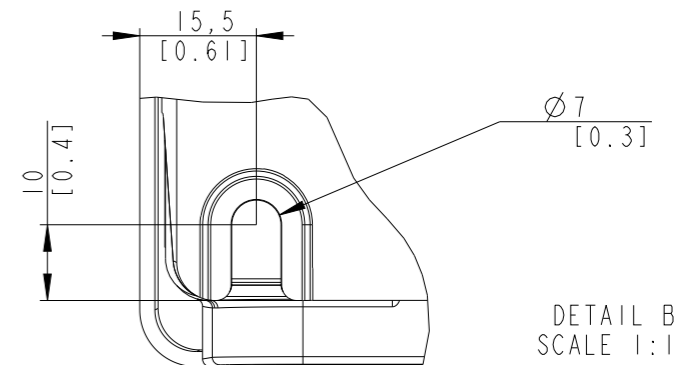
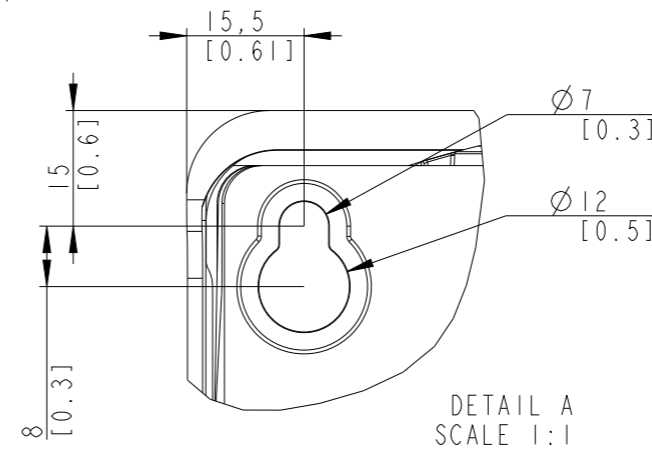
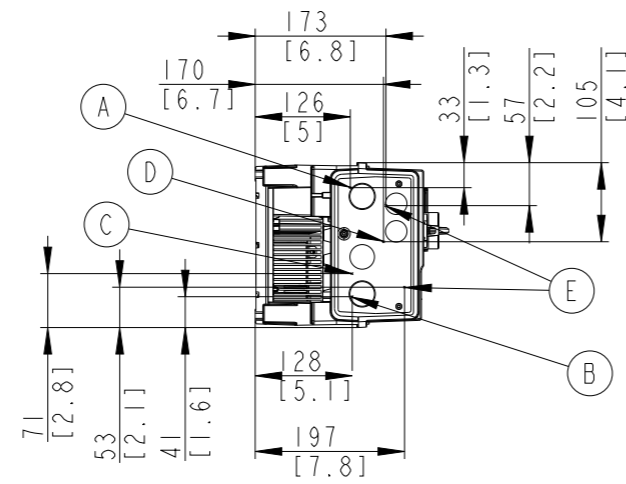


Type	Value
Max Weight	15kg / 33 lb
IP Class	IP21
UL Type	Type I



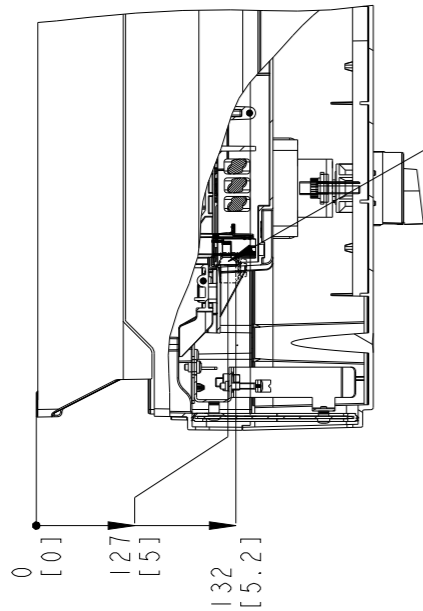
Position of connectors	
A	Line
B	Motor
C	Brake / DC
D	Interface X0
E	Interface X1/X2 or X4

THIS DRAWING SHOWS THE MOST COMMON VERSION OF THIS PRODUCT VARIANT. SMALL DIFFERENCES MAY OCCUR DEPENDING ON THE FINAL PRODUCT CONFIGURATION.

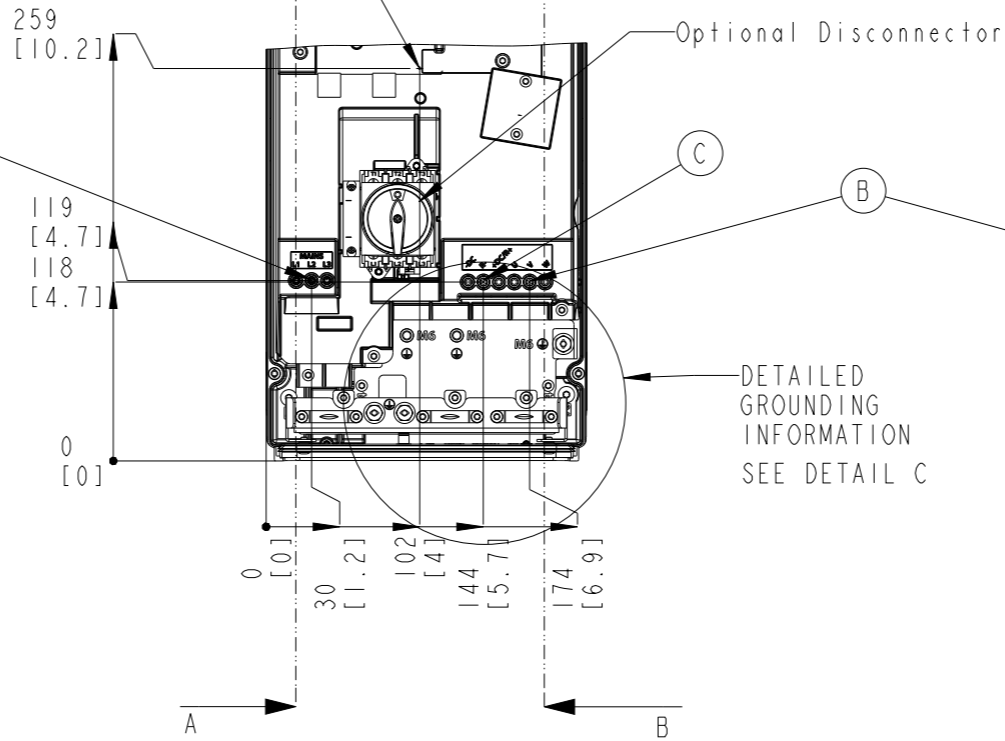
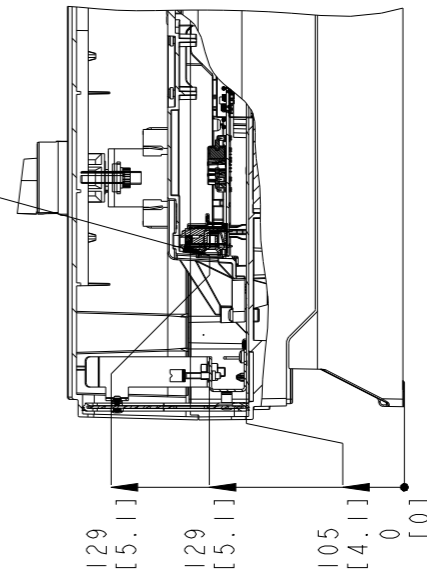
CENTER OF GRAVITY: FOR REFERENCE ONLY, THE PRODUCT CONFIGURATION MAY INFLUENCE THE CG IN ALL THREE AXES.

UNLESS OTHERWISE SPECIFIED THE TOLERANCE IS ± 0.1 MM [0.004 INCH]. ALL DIMENSIONS ARE IN MILLIMETERS [INCH].			FIRST ANGLE PROJECTION	SCALE 1:10	DRAWING SIZE A3	MATERIAL
						FINISH
						DESCRIPTION
CHANGED						MCAD-FK05-IP21
DESIGNED	Danfoss	2026-04-28				
CHECKED						
PROPERTY OF DANFOSS A/S NORDBORG, DENMARK. TWO OR THREE DIMENSIONAL REPRODUCTION OF CONTENTS TO BE AUTHORIZED BY DANFOSS A/S.						DRAWING NUMBER
						MCAD-FK05-IP21
						MODEL
						FK05
						REV
						SHEET 1 OF 2

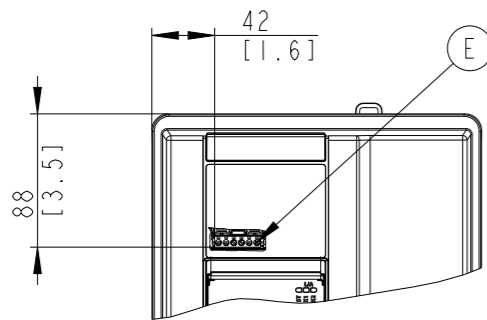
SECTION A-A
LINE TERMINALS



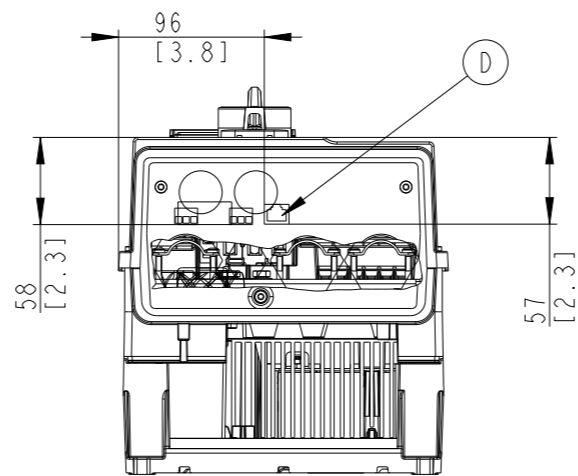
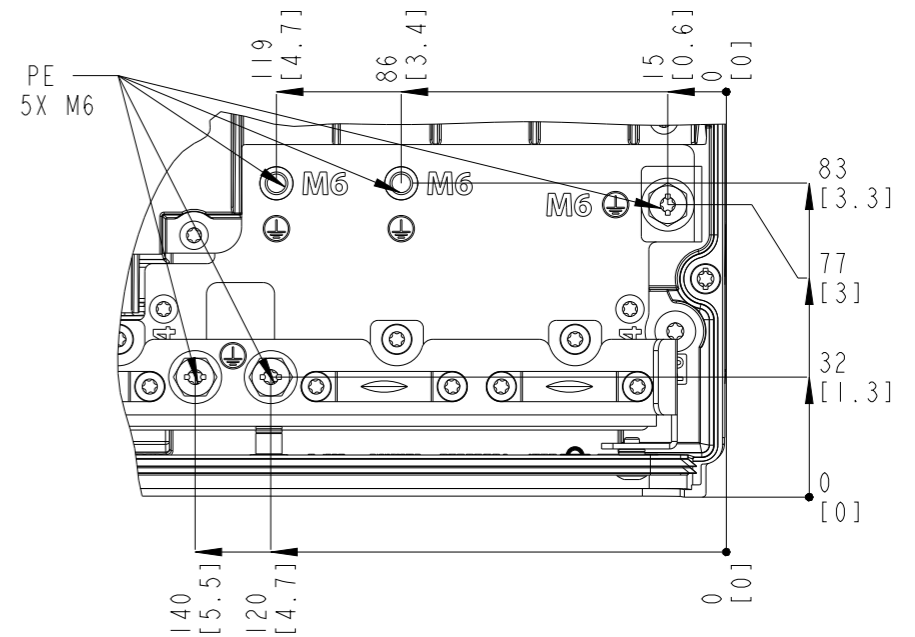
SECTION B-B
MOTOR / DC / BRAKE TERMINALS



INTERFACE X4



GROUNDING INFORMATION



BOTTOM VIEW

DETAIL C
SCALE 1:2

Position of connectors	
A	Line
B	Motor
C	Brake / DC
D	Interface X0
E	Interface X1/X2 or X4

THIS DRAWING SHOWS THE MOST COMMON VERSION OF THIS PRODUCT VARIANT.
SMALL DIFFERENCES MAY OCCUR DEPENDING ON THE FINAL PRODUCT CONFIGURATION.

PROPERTY OF DANFOSS A/S NORDBOG, DENMARK. TWO OR THREE DIMENSIONAL REPRODUCTION OF CONTENTS TO BE AUTHORIZED BY DANFOSS A/S.

DRAWING NUMBER	MCAD-FK05-1P21	REV
MODEL	FK05	SHEET 2 OF 2