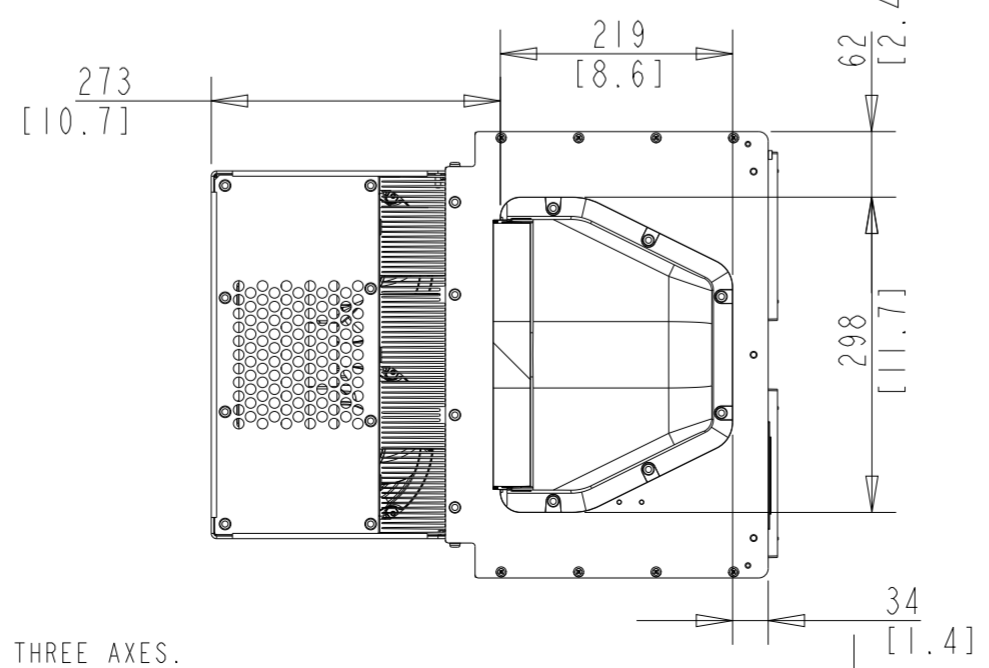
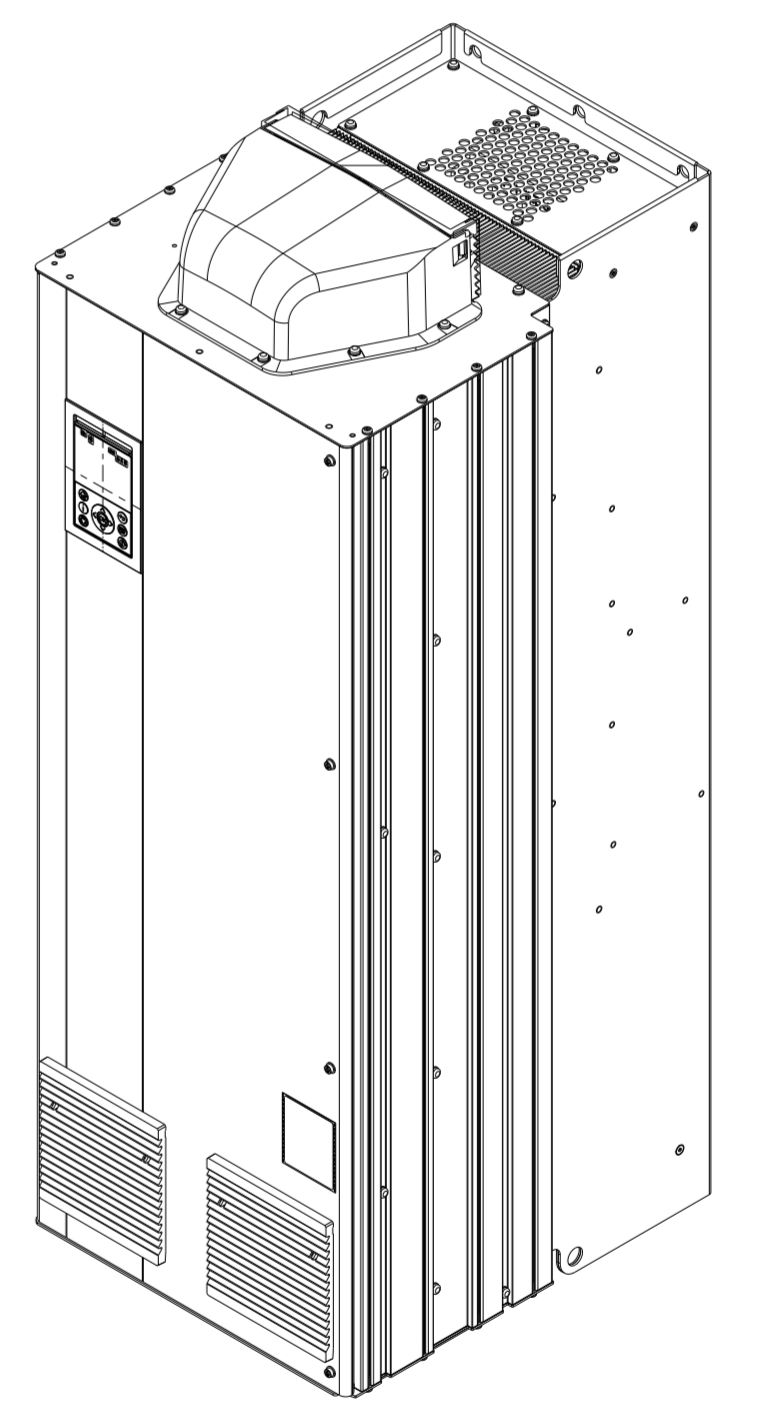
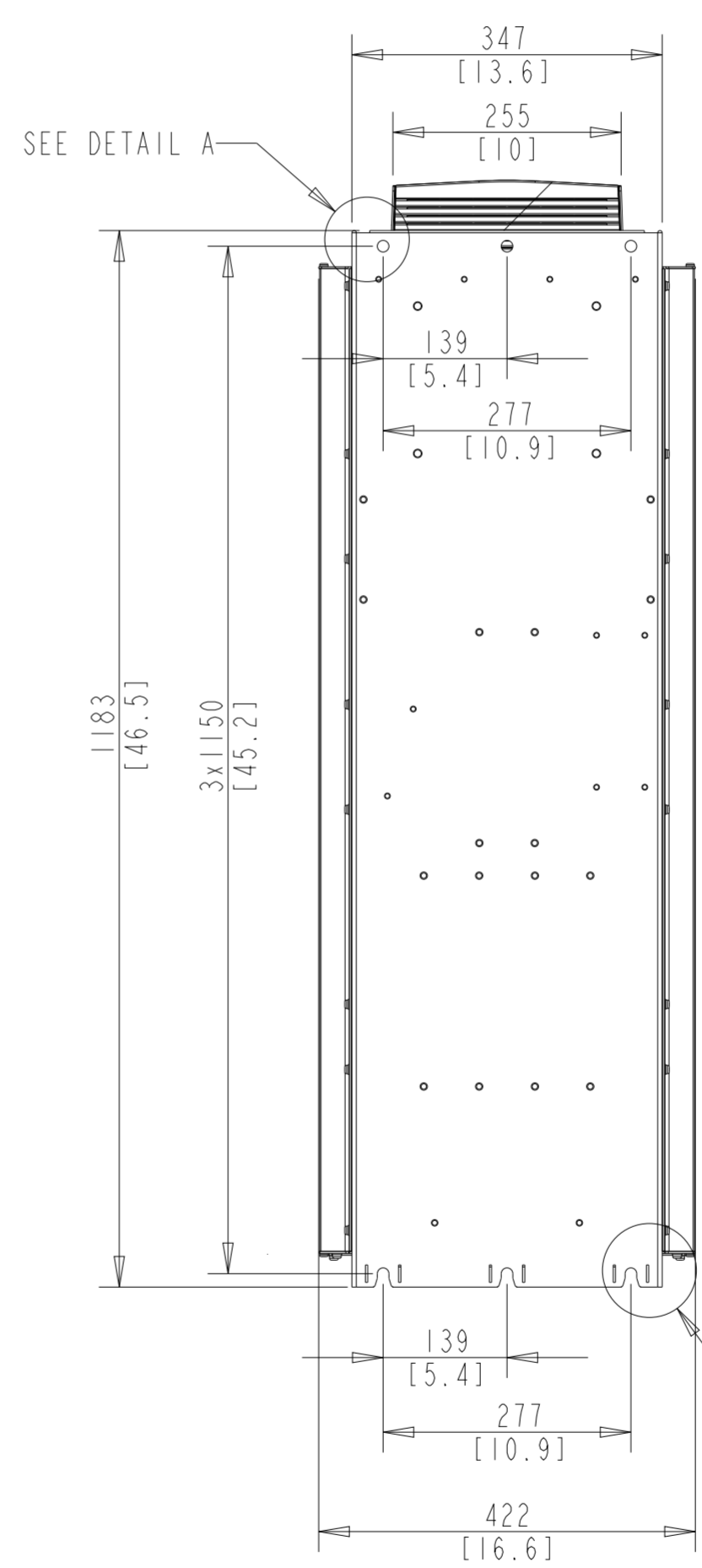
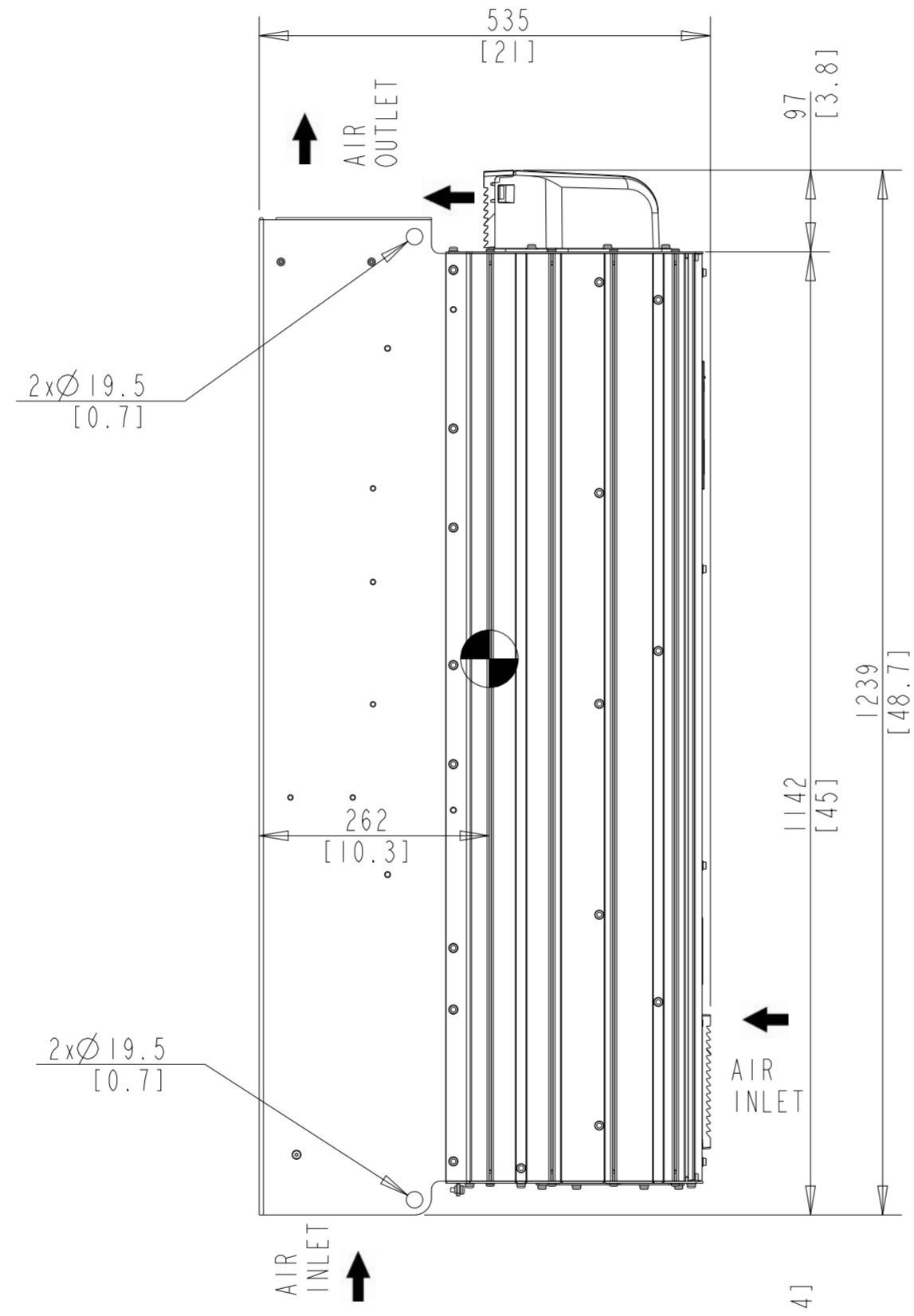
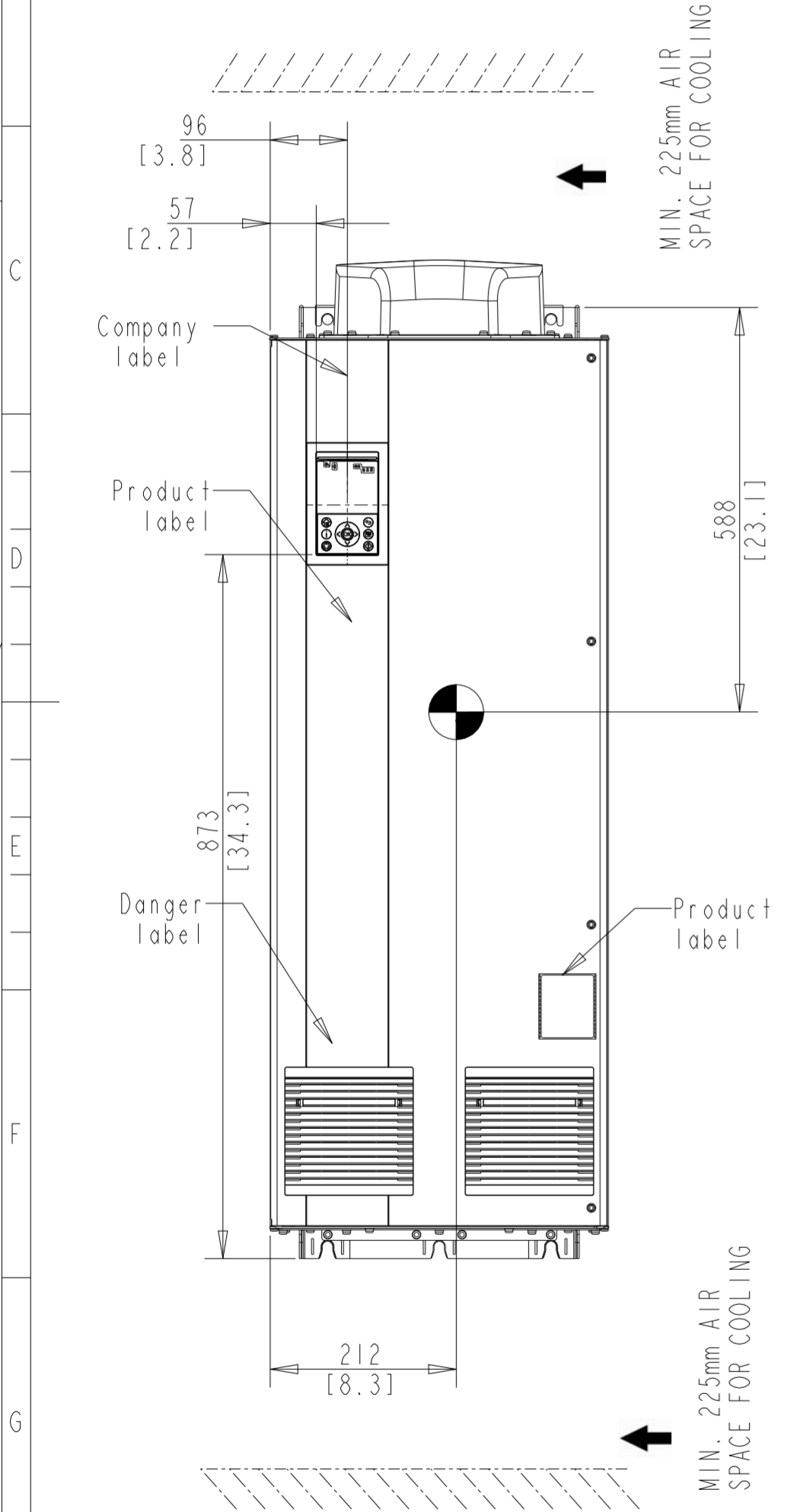
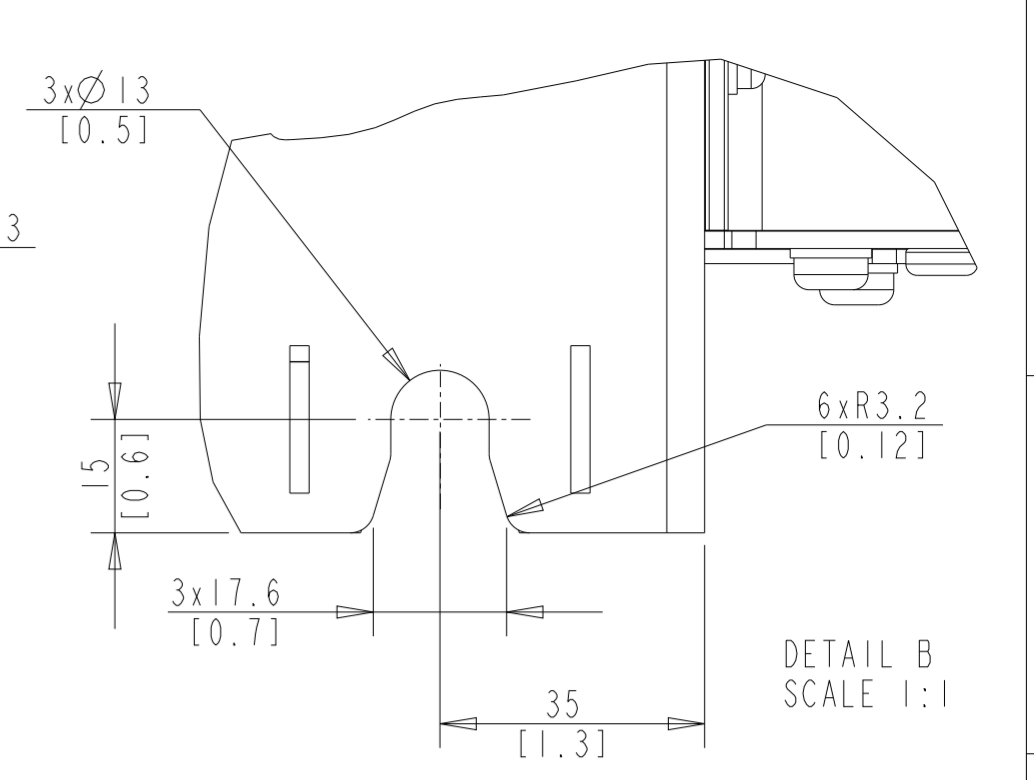
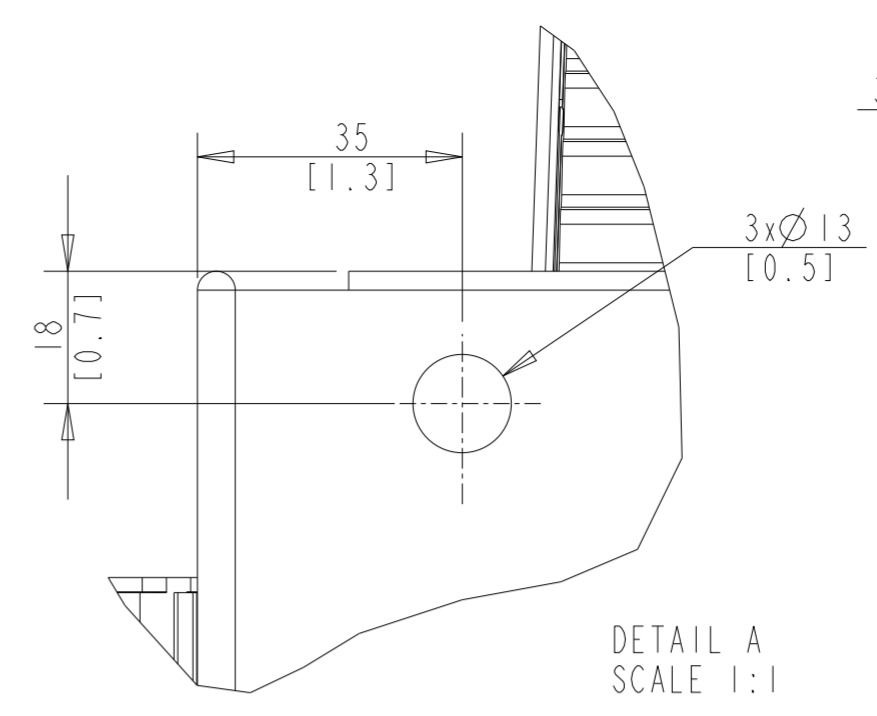
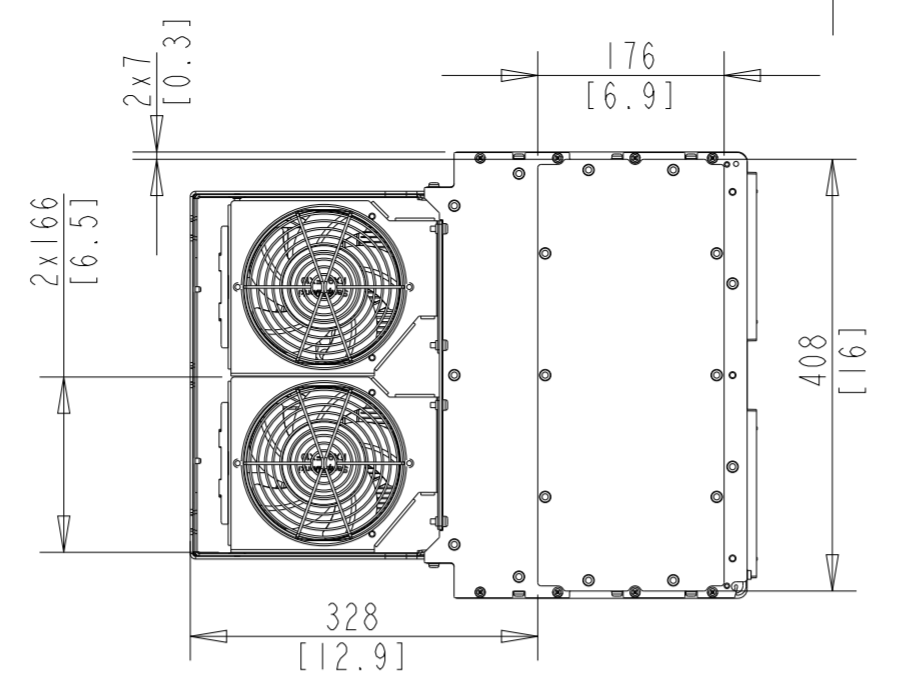


Type	Value
Max Weight	158kg/348lb
IP class	IP21
UL Type	Type I

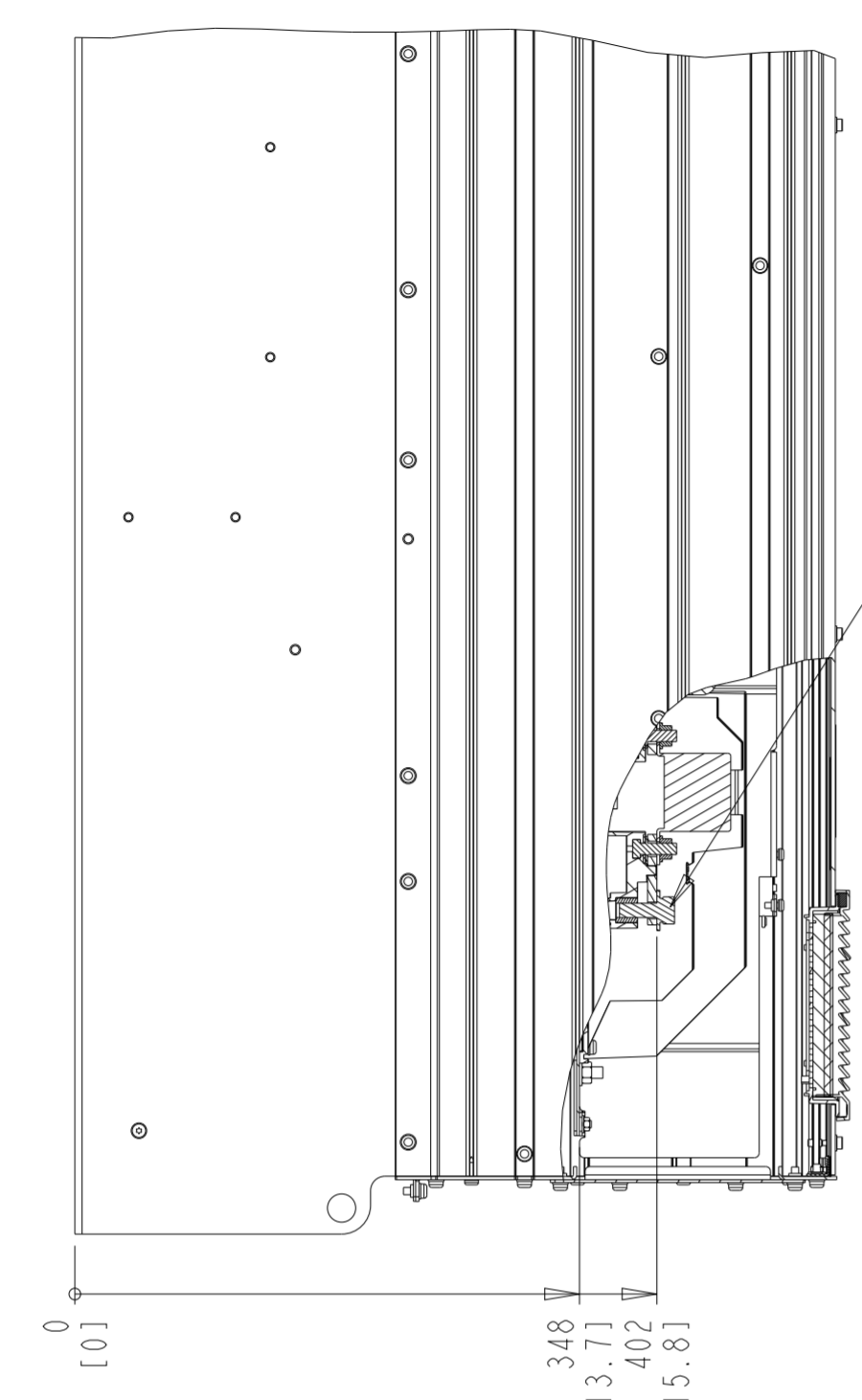


THIS DRAWING SHOWS THE MOST COMMON VERSION OF THIS PRODUCT VARIANT. SMALL DIFFERENCES MAY OCCUR DEPENDING ON THE FINAL PRODUCT CONFIGURATION.

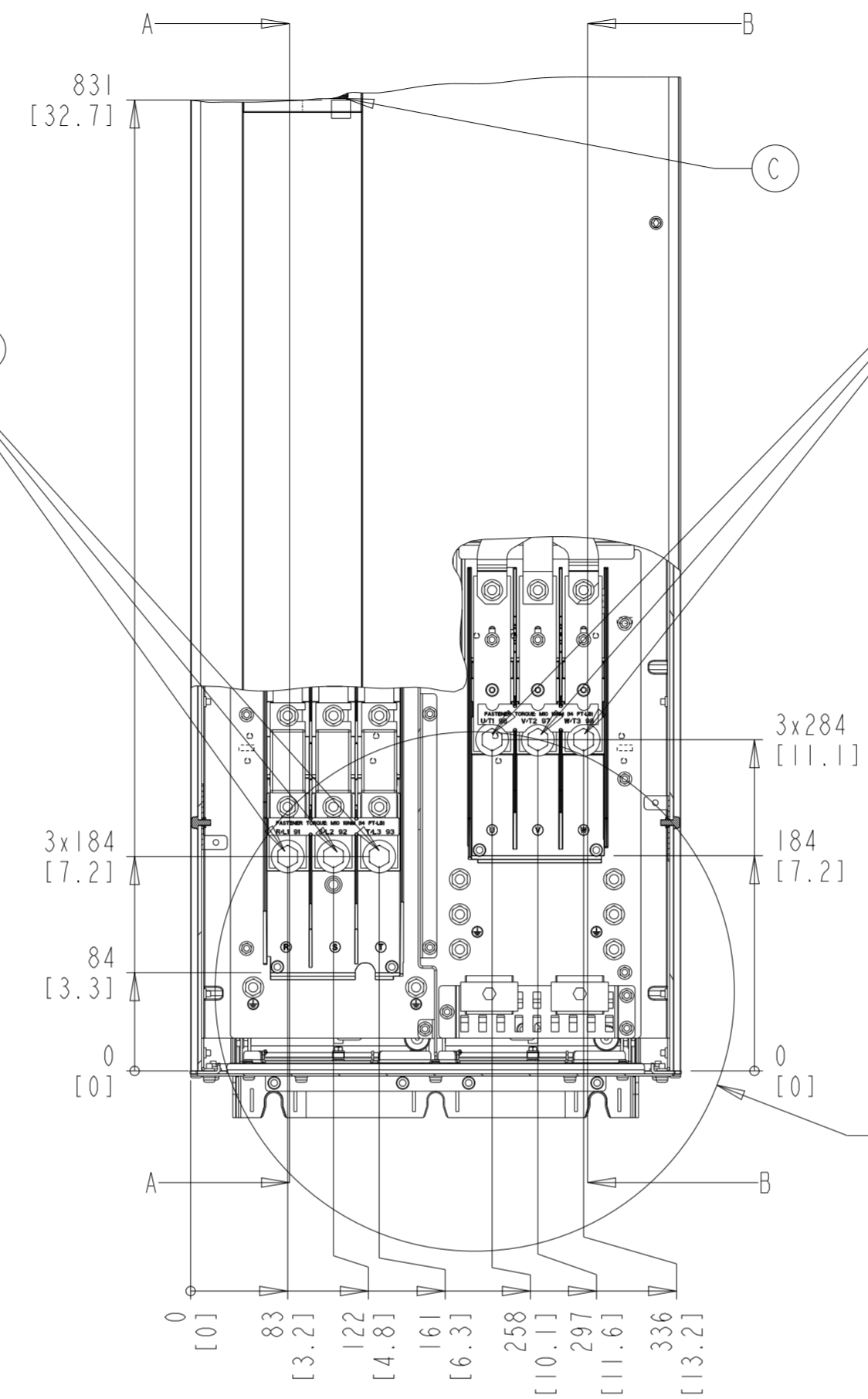
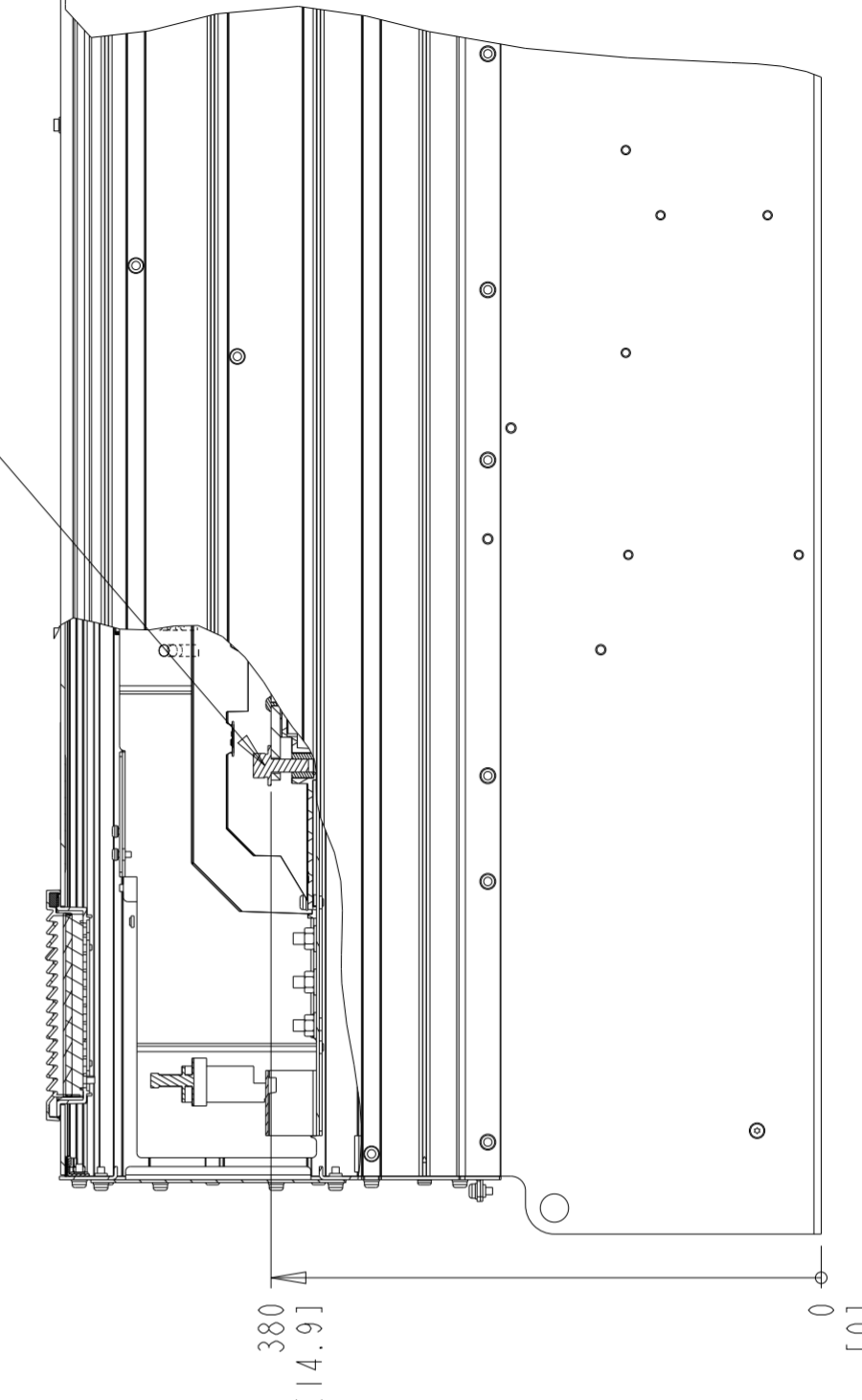
CENTER OF GRAVITY: FOR REFERENCE ONLY, THE PRODUCT CONFIGURATION MAY INFLUENCE THE CG IN ALL THREE AXES.

UNLESS OTHERWISE SPECIFIED THE TOLERANCE IS ±1MM (0.4 INCH). ALL DIMENSIONS ARE IN MILLIMETERS (INCH)			FIRST ANGLE PROJECTION	SCALE	DRAWING SIZE	MATERIAL
				0.250	A2	
CHANGED			DESCRIPTION MCAD-FK106-1P21			
DESIGNED	DANFOSS	2026-04-10				
CHECKED						
PROPERTY OF DANFOSS A/S NORDBORG, DENMARK. TWO OR THREE DIMENSIONAL REPRODUCTION OF CONTENTS TO BE AUTHORIZED BY DANFOSS A/S.			DRAWING NUMBER	MCAD-FK106-1P21	REV	001
			MODEL	MCAD-FK106-1P21	SHEET	1 OF 2

SECTION A-A
LINE TERMINALS

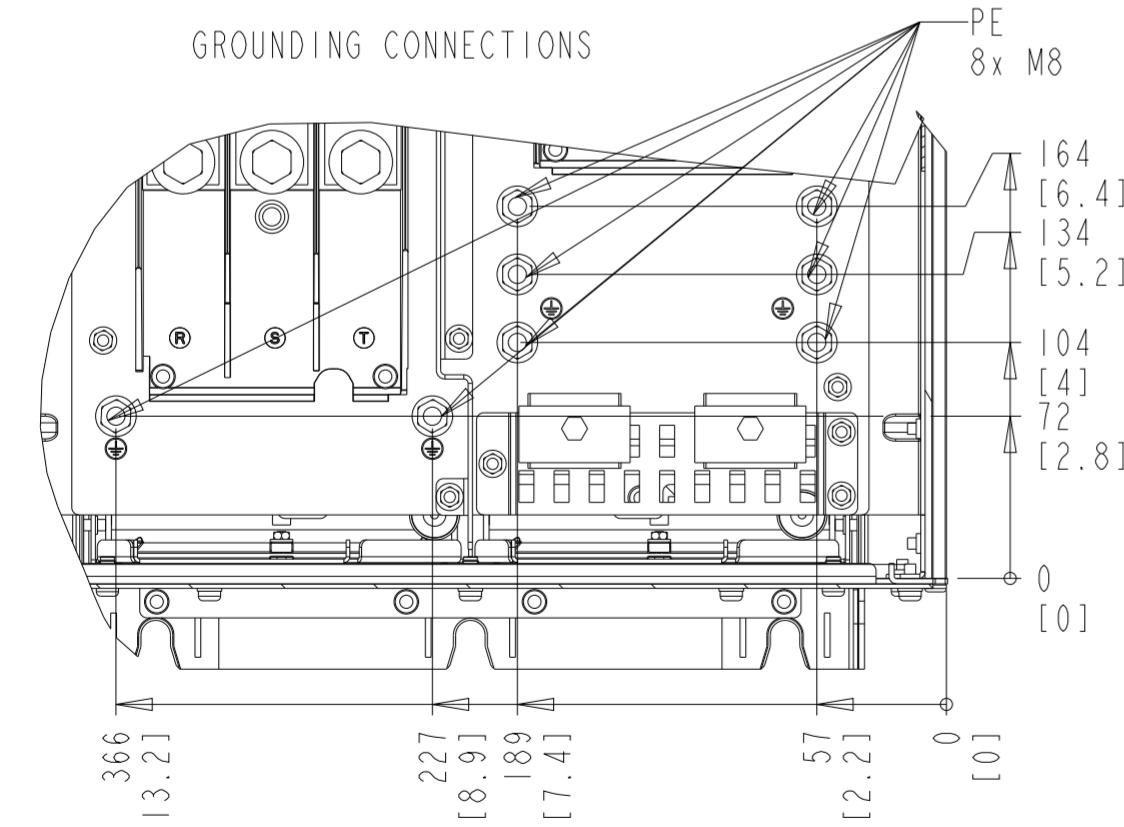


SECTION B-B
MOTOR TERMINALS

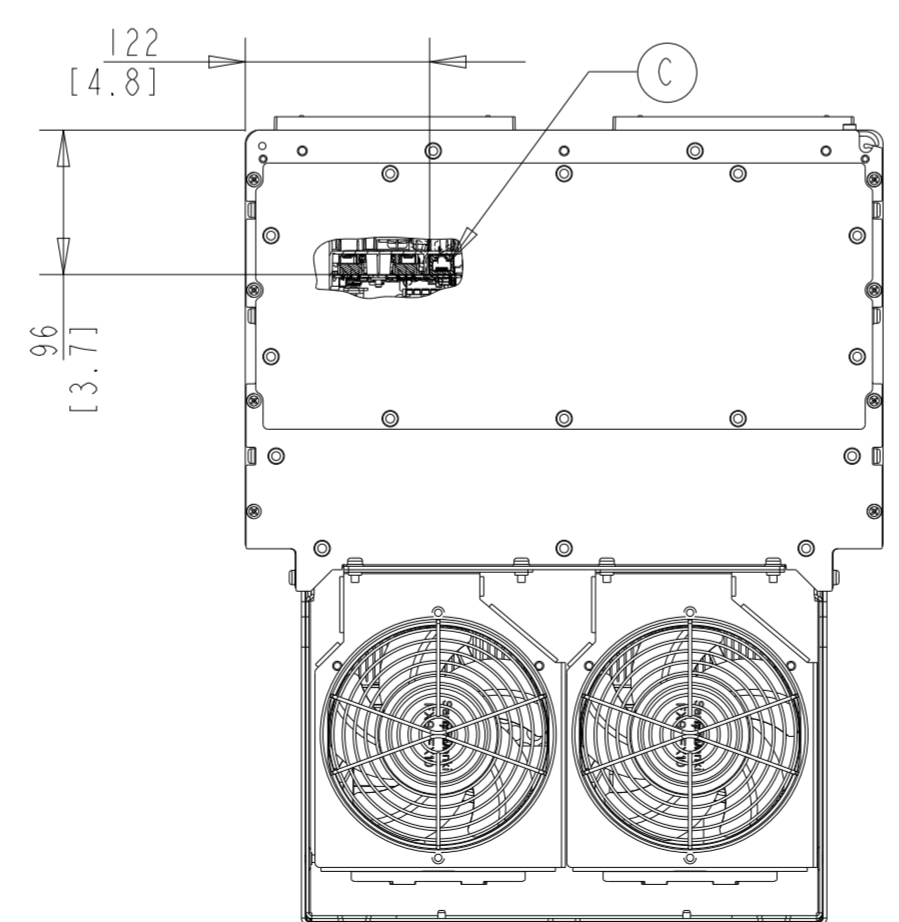


DETAILED
GROUNDING CONNECTION
SEE DETAIL C

GROUNDING CONNECTIONS

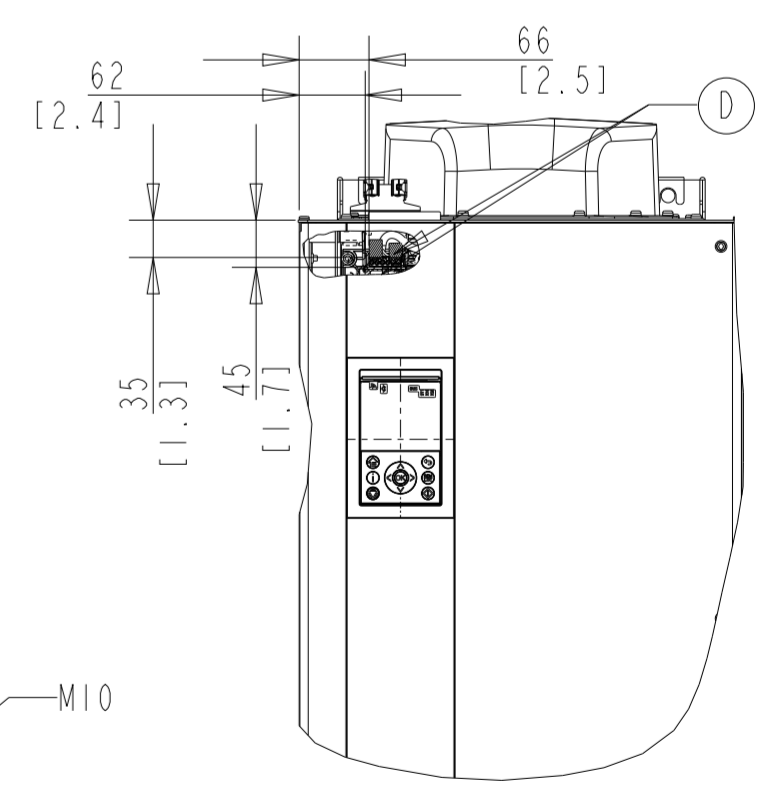


DETAIL C
SCALE 1:3

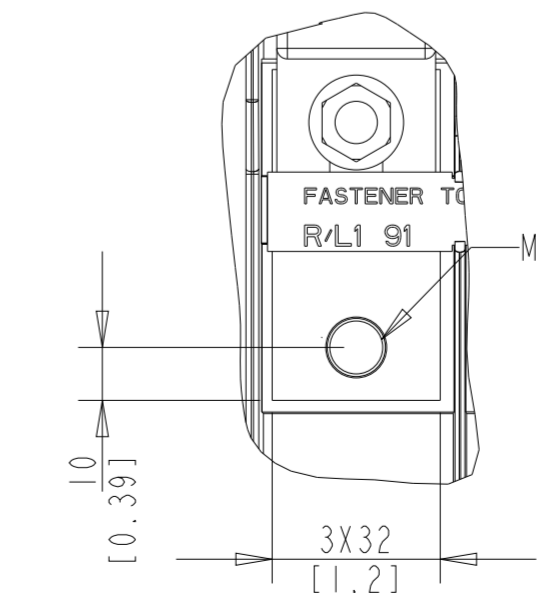


BOTTOM VIEW

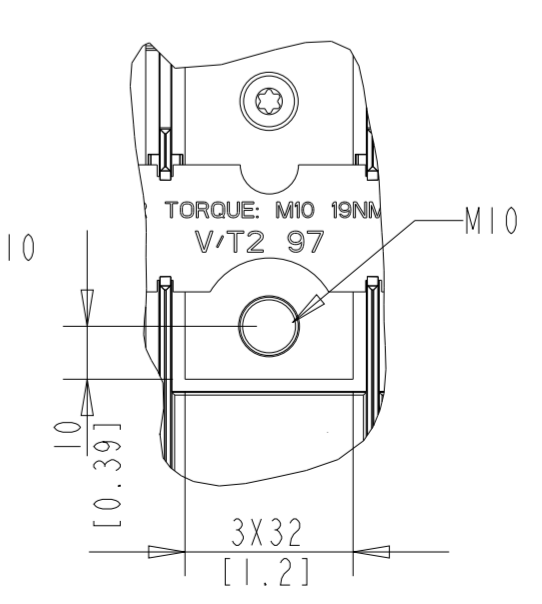
INTERFACE X1/X2 OR X4



LINE TERMINAL



MOTOR TERMINAL



Position of connectors	
A	Line
B	Motor
C	Interface X0
D	Interface X1/X2 OR X4