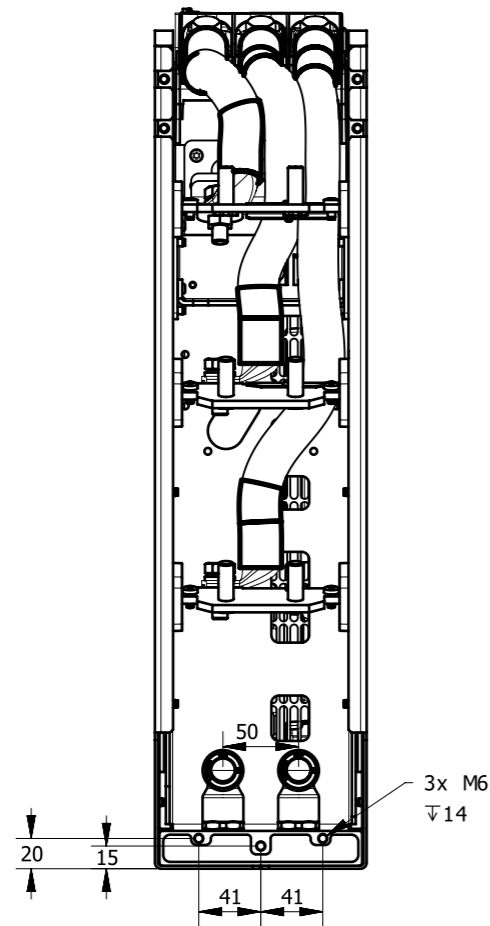
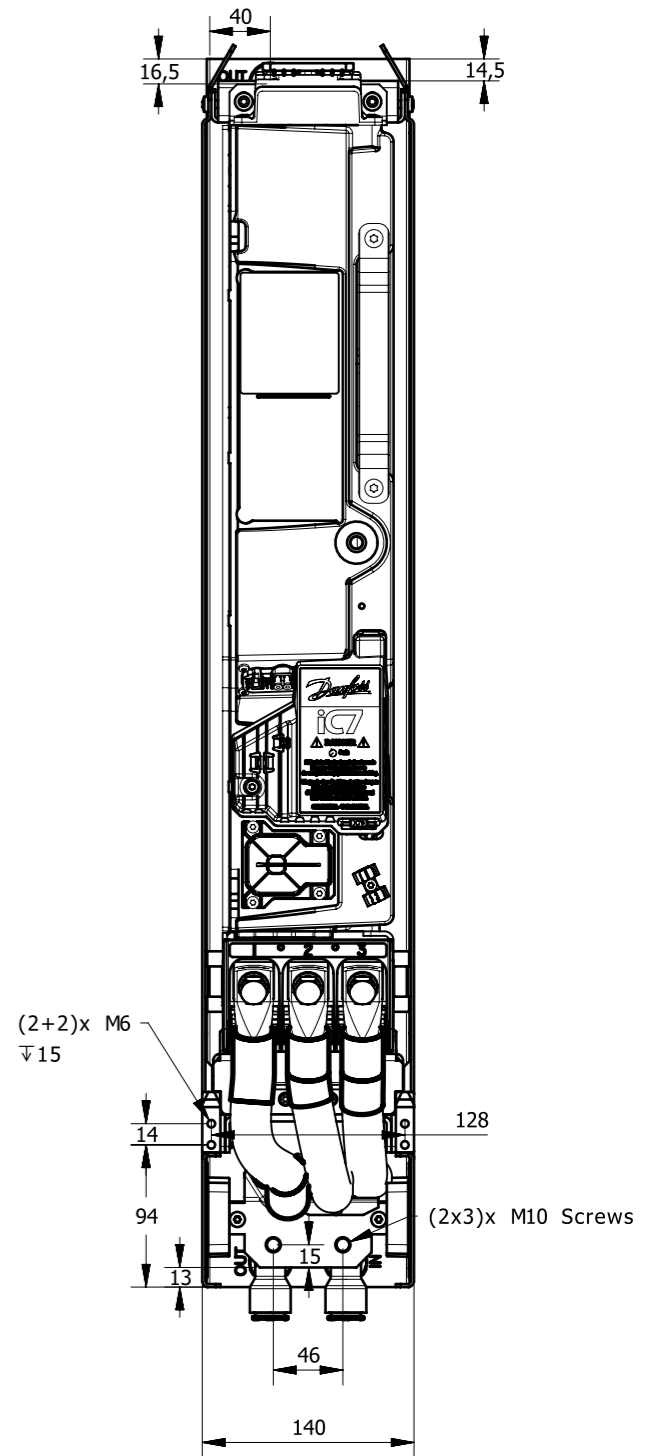
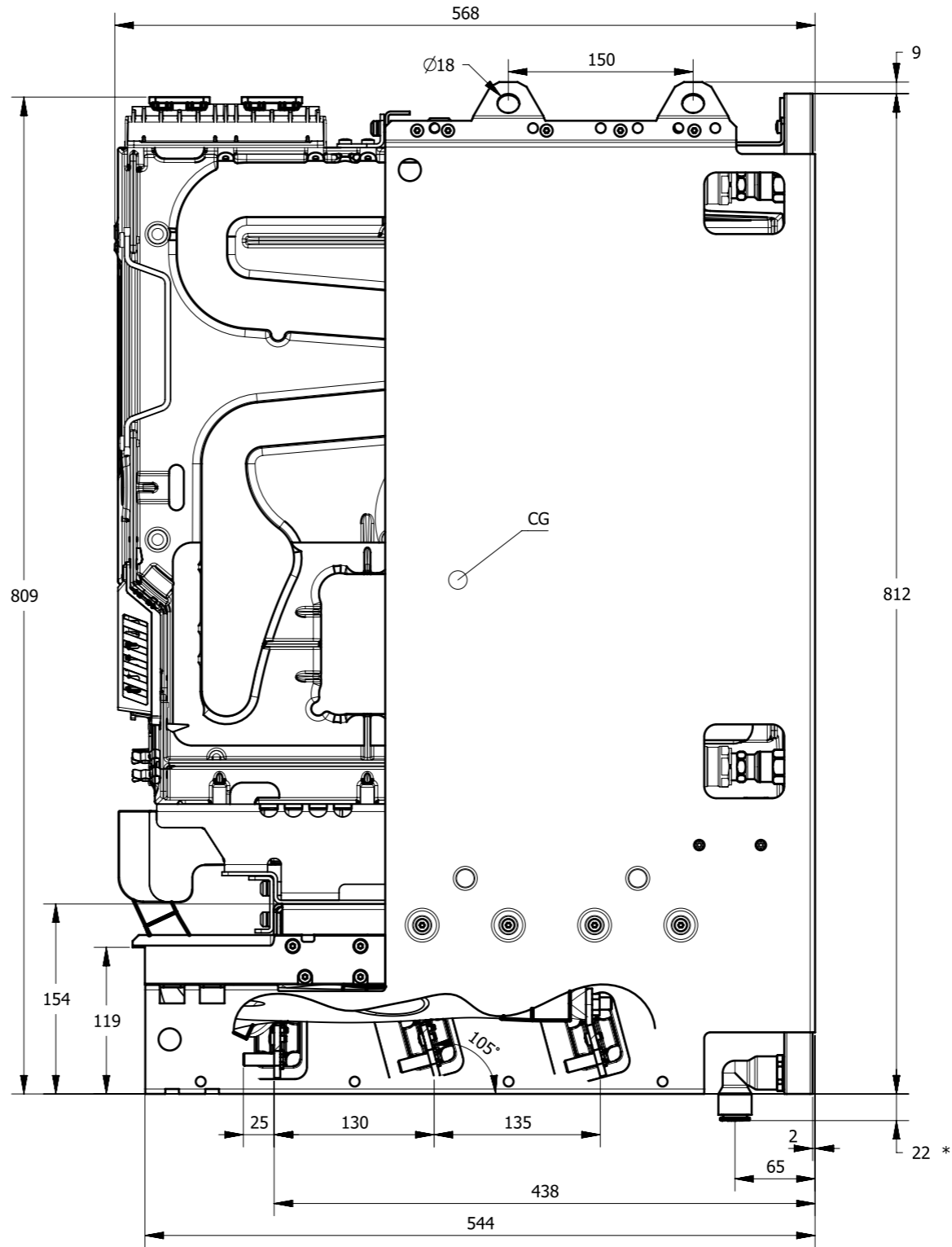
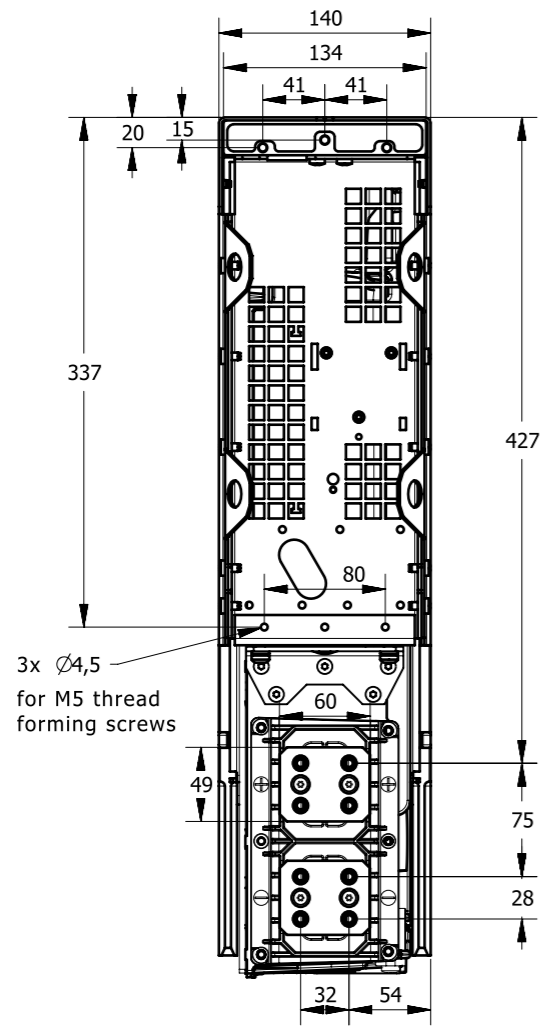


BOTTOM



TOP



\*The fittings are turnable. When delivered, the fittings are oriented with the pipe port facing upwards

All dimensions are in Millimeters  
Unspecified tolerance according to:

Projection	Size	A3
	Thickness	
	Mass	61 Kg

Other dimensions acc. to 3D-model

Replace	
Designer	Danfoss 23-Dec-2025
Modifier	



Material:  
Finish:

Description / Name  
MCAD-ic7-60-xR10L-IP00-AE01

Confidential: Property of Danfoss and its subsidiaries. Not to be copied, handed over to or used by third party. Two- or three dimensional reproduction of content to be authorized by Danfoss Drives A/S

Item Number	REV
DPD02357	A
Sheet	1 of 1

Changes Insert modifications here