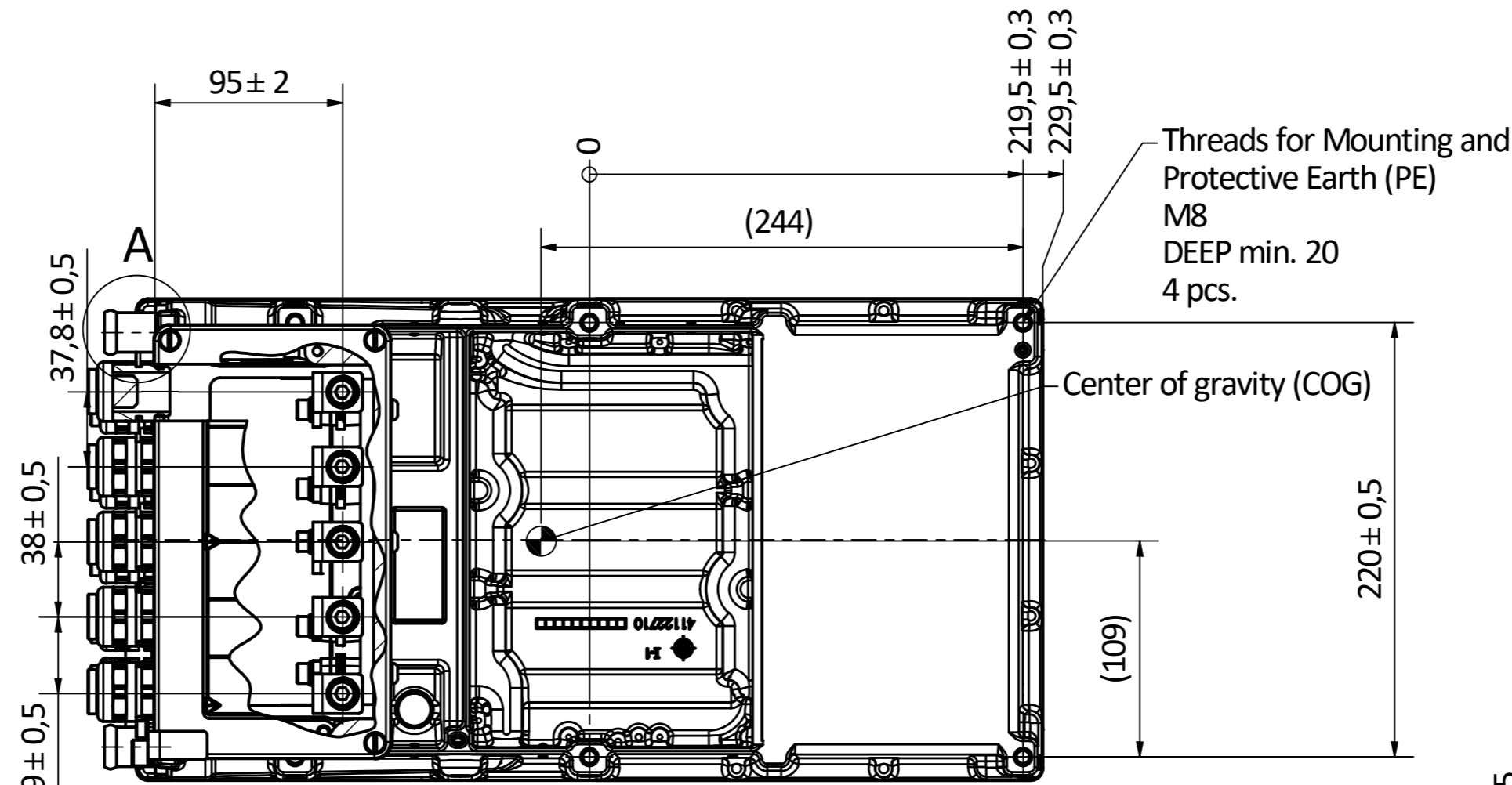
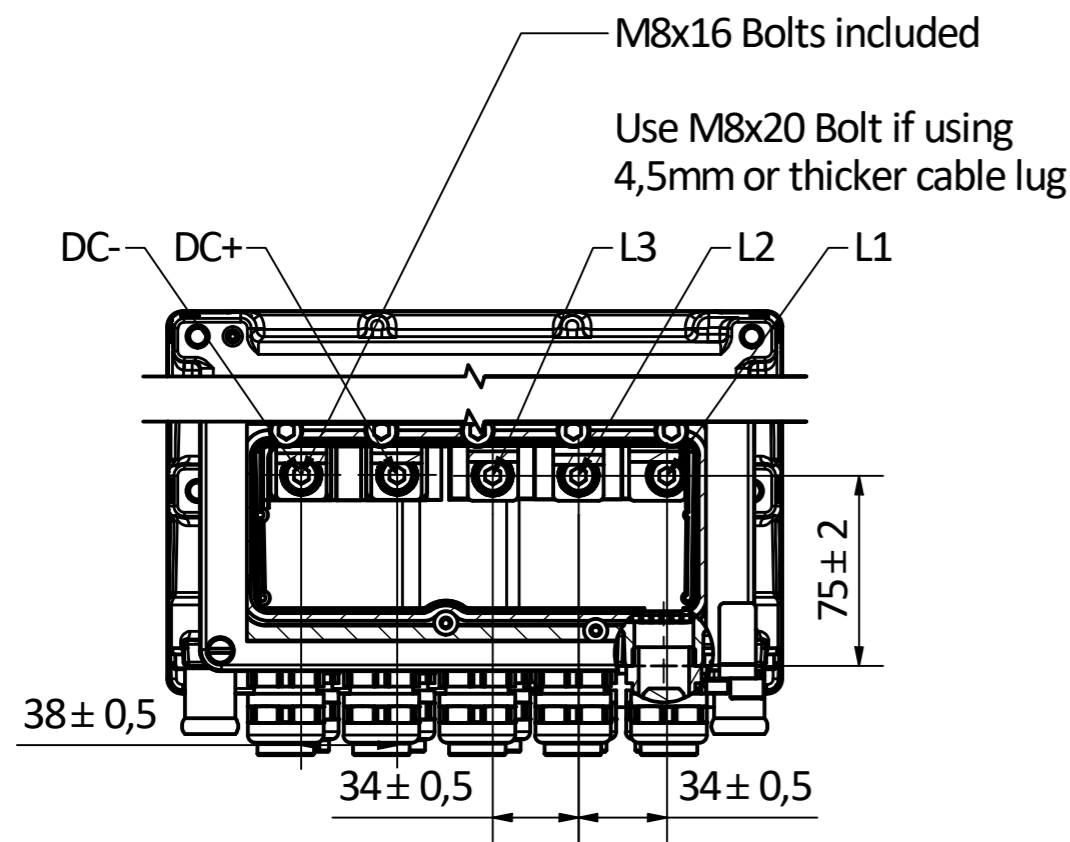
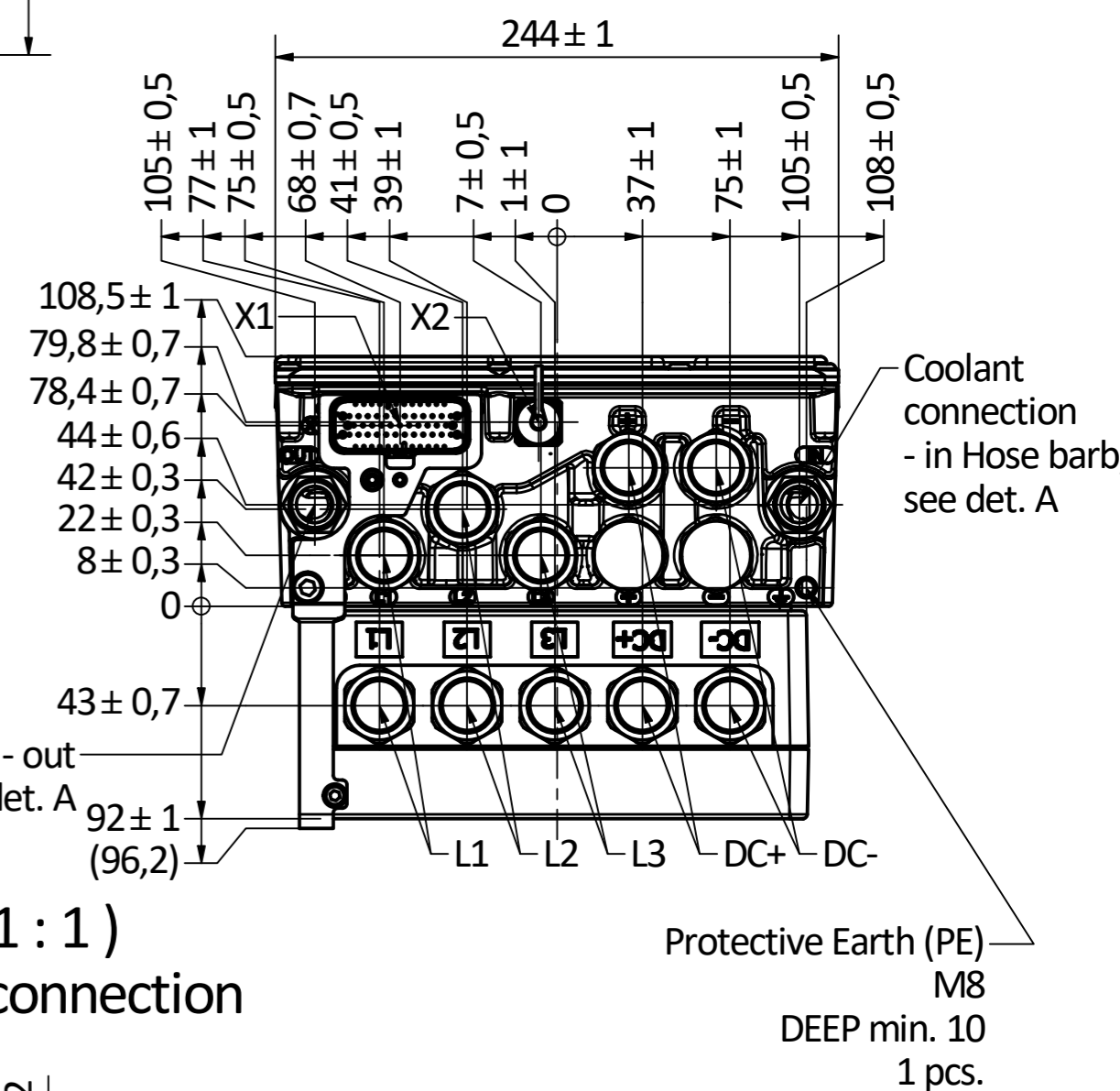
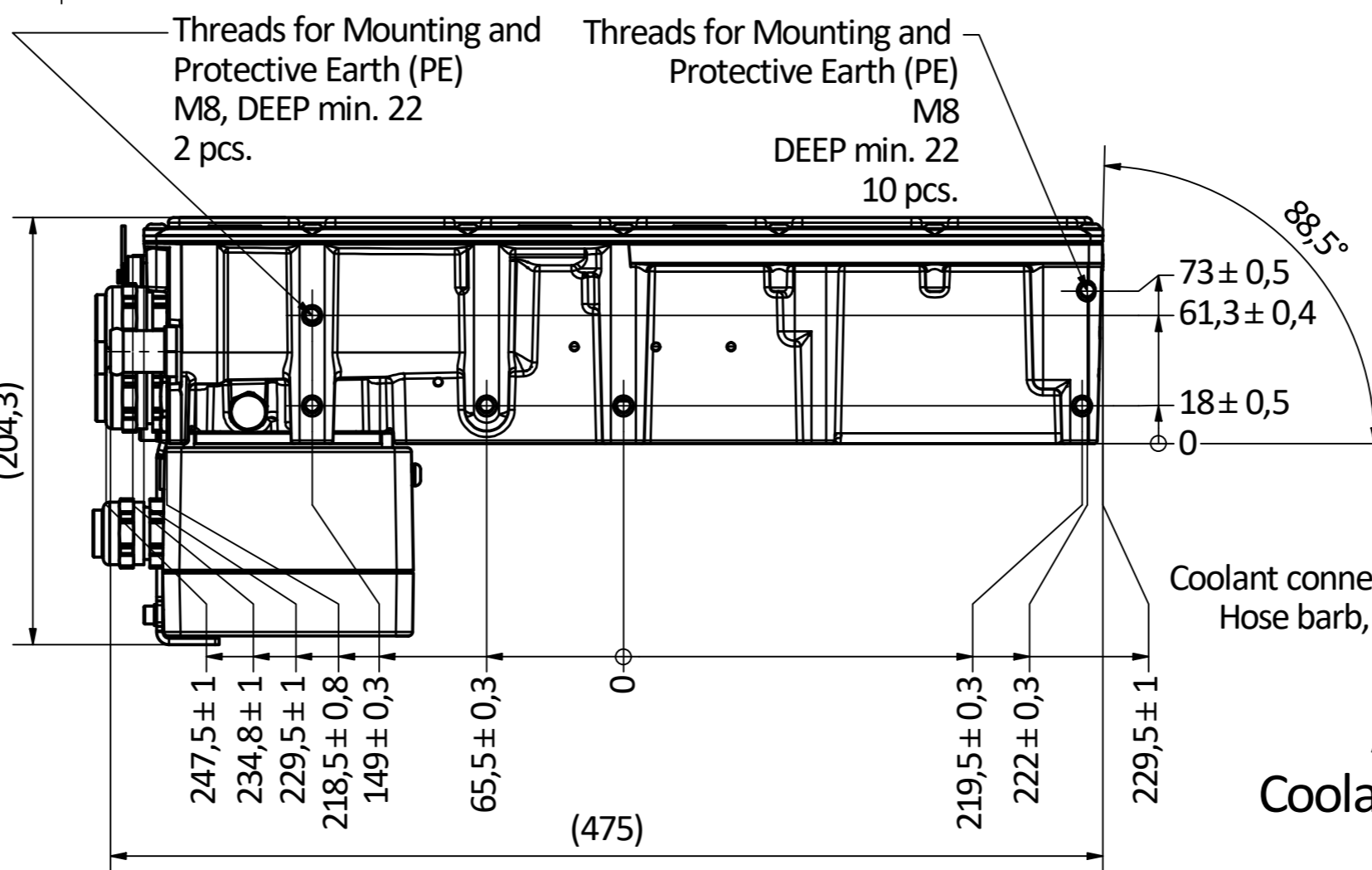


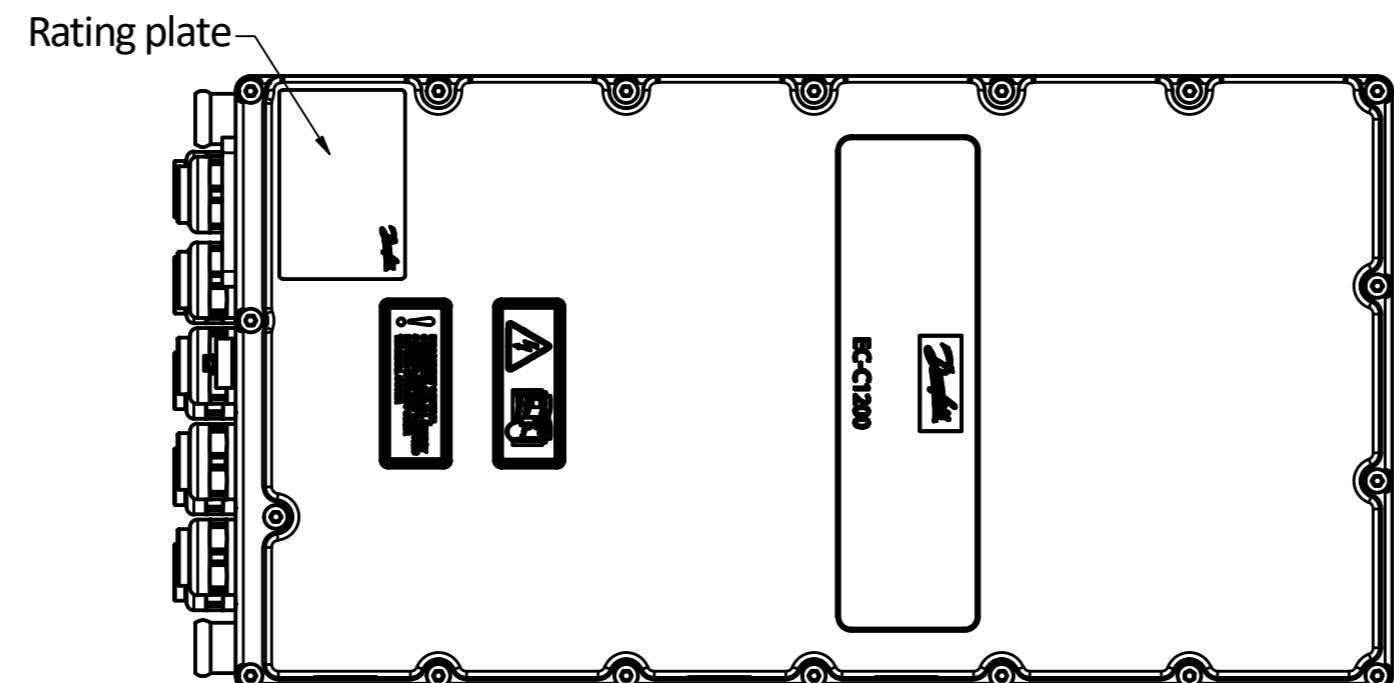
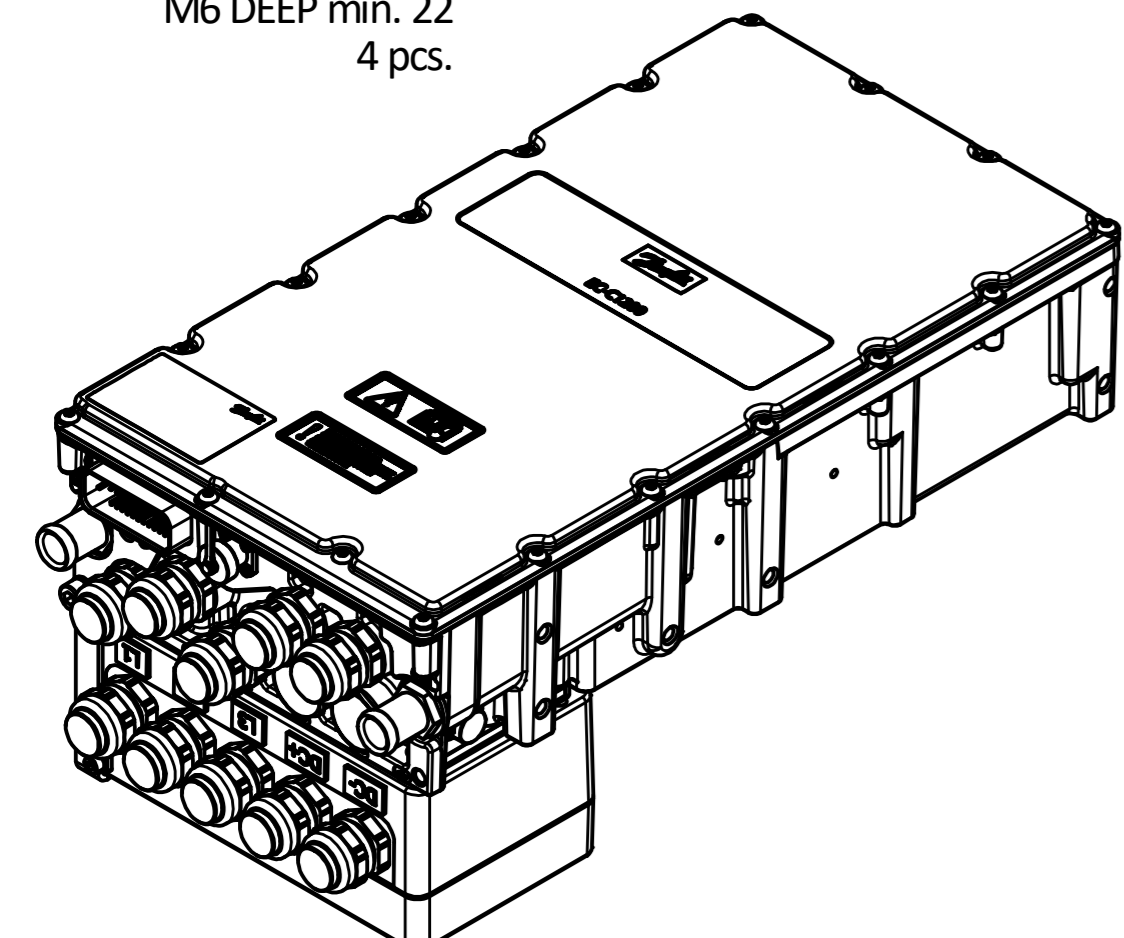
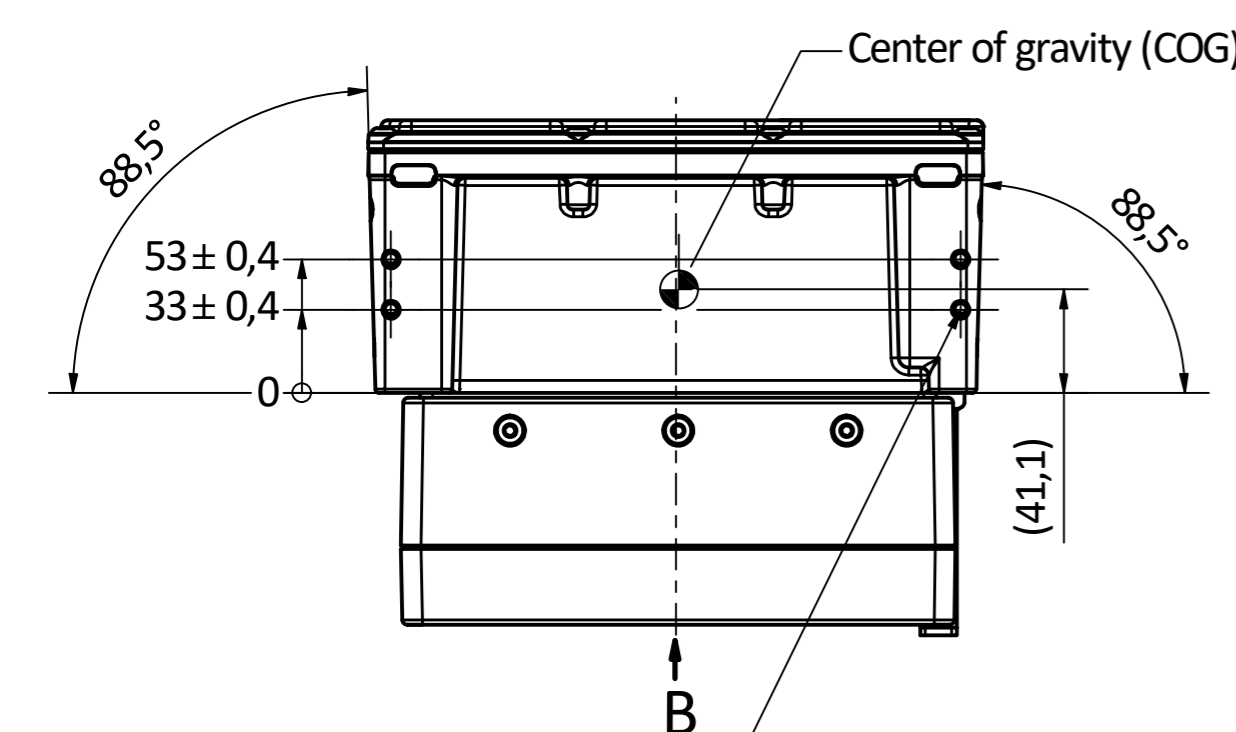
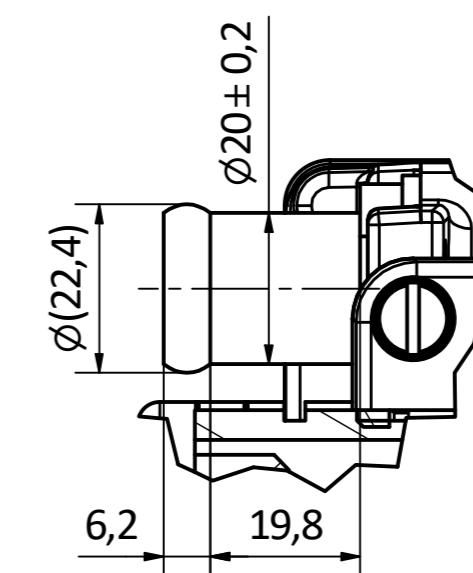
B (1:3) Terminal box



Power connections	
Connection	Cable gland
DC+	Pflitsch blueglobe TRI bg 225mstri
DC-	Pflitsch blueglobe TRI bg 225mstri
L1	Pflitsch blueglobe TRI bg 225mstri
L2	Pflitsch blueglobe TRI bg 225mstri
L3	Pflitsch blueglobe TRI bg 225mstri



A (1:1) Coolant connection



Materials:
Enclosure: AlSi12Cu1(Fe)
Coolant connections: CuZn39Pb3

General tolerances	Material	Mass (± 2%) 16,8 kg	Name AnSu	Date 9.10.2022	Scale 1:3
	GENERAL PRODUCT DRAWING		SAP ID and Revision 11311101 A	Item 44437	
ENGINEERING TOMORROW		EC-C1200-450+CE1+CG3	Document 44437	Rev 0	Sheet 1/1

CONFIDENTIAL
The content of this document is confidential and proprietary to Danfoss Edtron Oy. The use of the information contained herein is restricted solely to the recipient. Use for any other purpose without Danfoss Edtron Oy's written permission is expressly prohibited.

