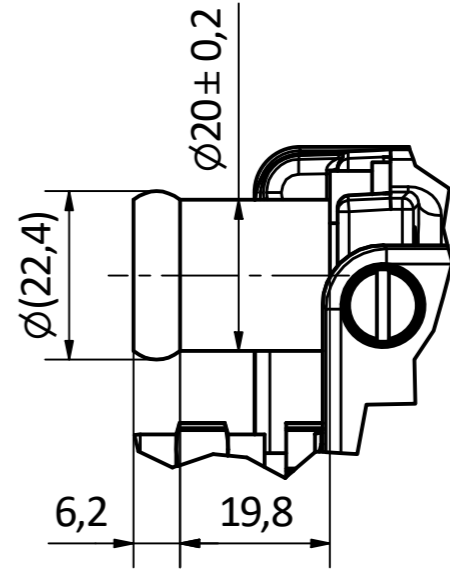
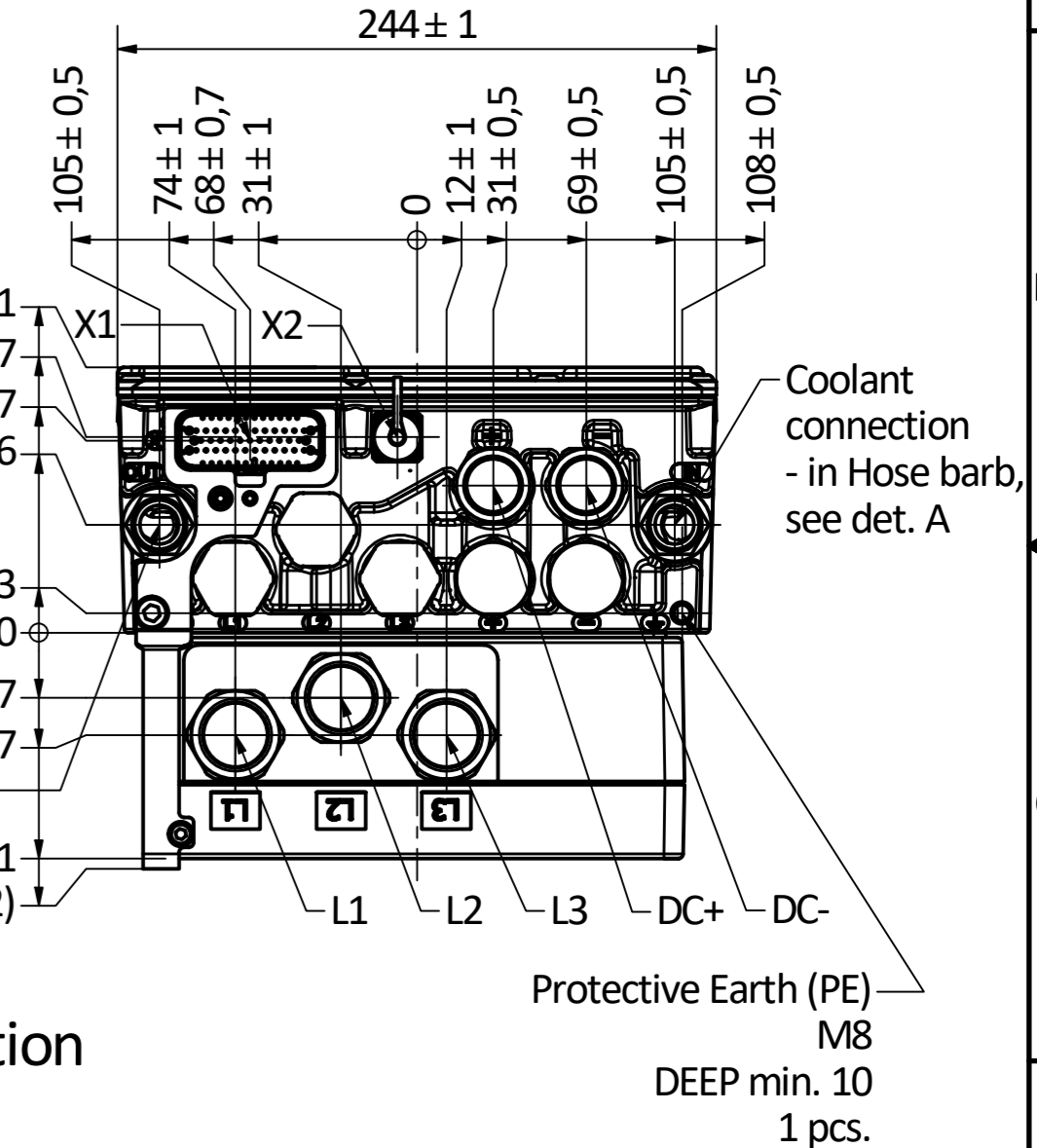


Connection	Available cable gland Cable gland
DC+	Pflitsch blueglobe TRI bg 225mstri
DC-	Pflitsch blueglobe TRI bg 225mstri
L1	Pflitsch blueglobe TRI bg 232mstri
L2	Pflitsch blueglobe TRI bg 232mstri
L3	Pflitsch blueglobe TRI bg 232mstri



Materials:
 Enclosure: AlSi12Cu1(Fe)
 Coolant connections: CuZn39Pb3

General tolerances		Material	Mass (± 2%)	Name	Date	Scale
			16,8 kg	Designed AnSu	9.10.2022	
GENERAL PRODUCT DRAWING		SAP ID and Revision		11312464 A		Size
EC-C1200-450+CE2+CG2		Item		44462		A2
		Document		44462		Rev
				0		Sheet
						1/1

CONFIDENTIAL
 The content of this document is confidential and proprietary to Danfoss Edtron Oy. The use of the information contained herein is restricted solely to the recipient. Use for any other purpose without Danfoss Edtron Oy's written permission is expressly prohibited.

