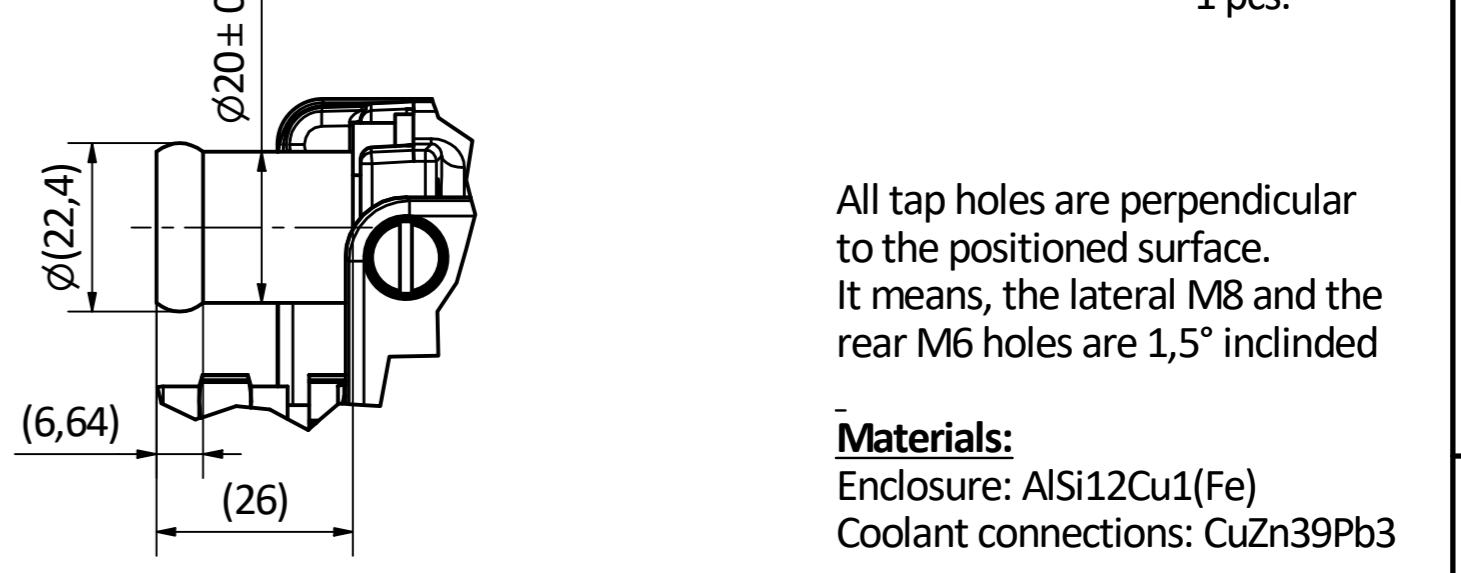
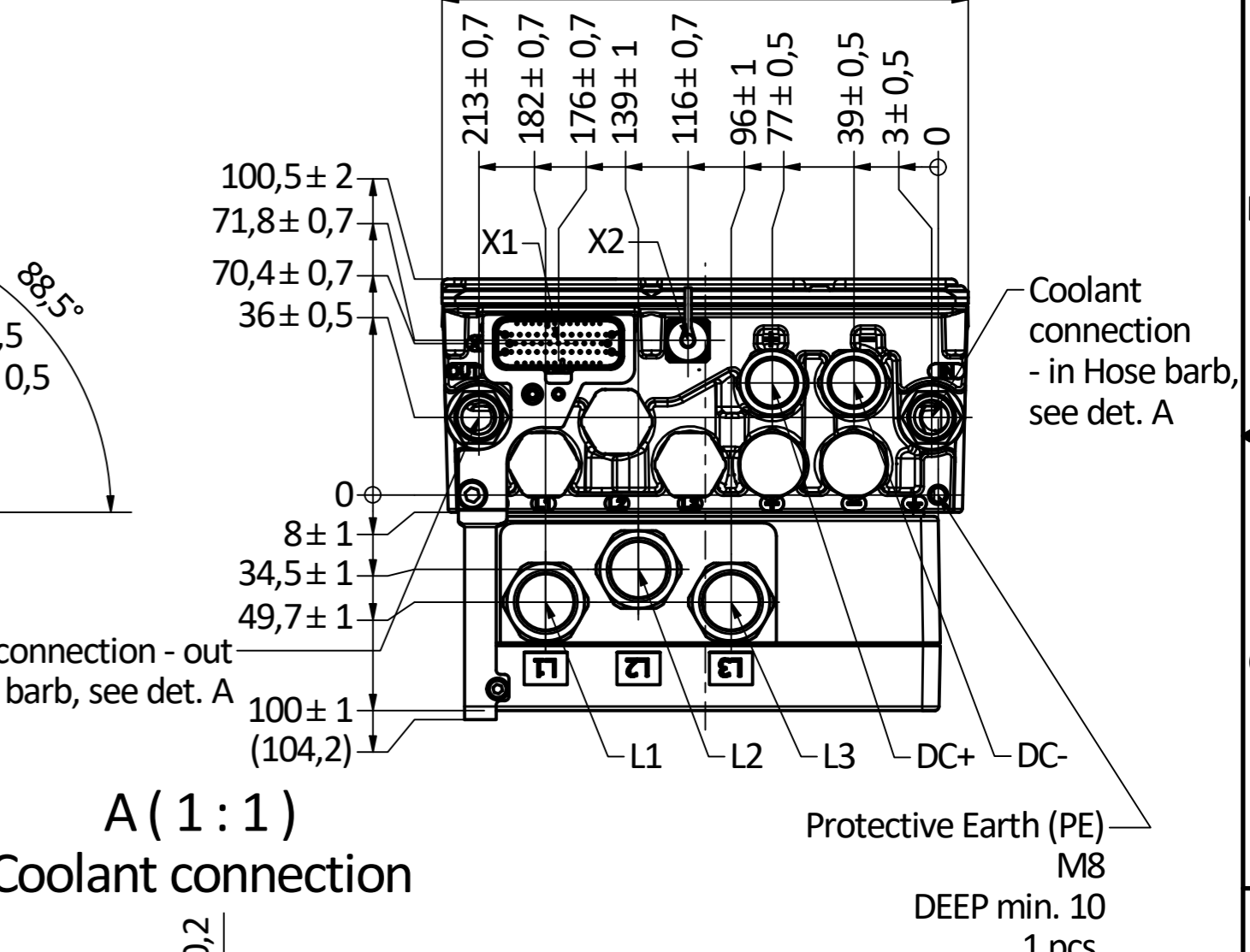
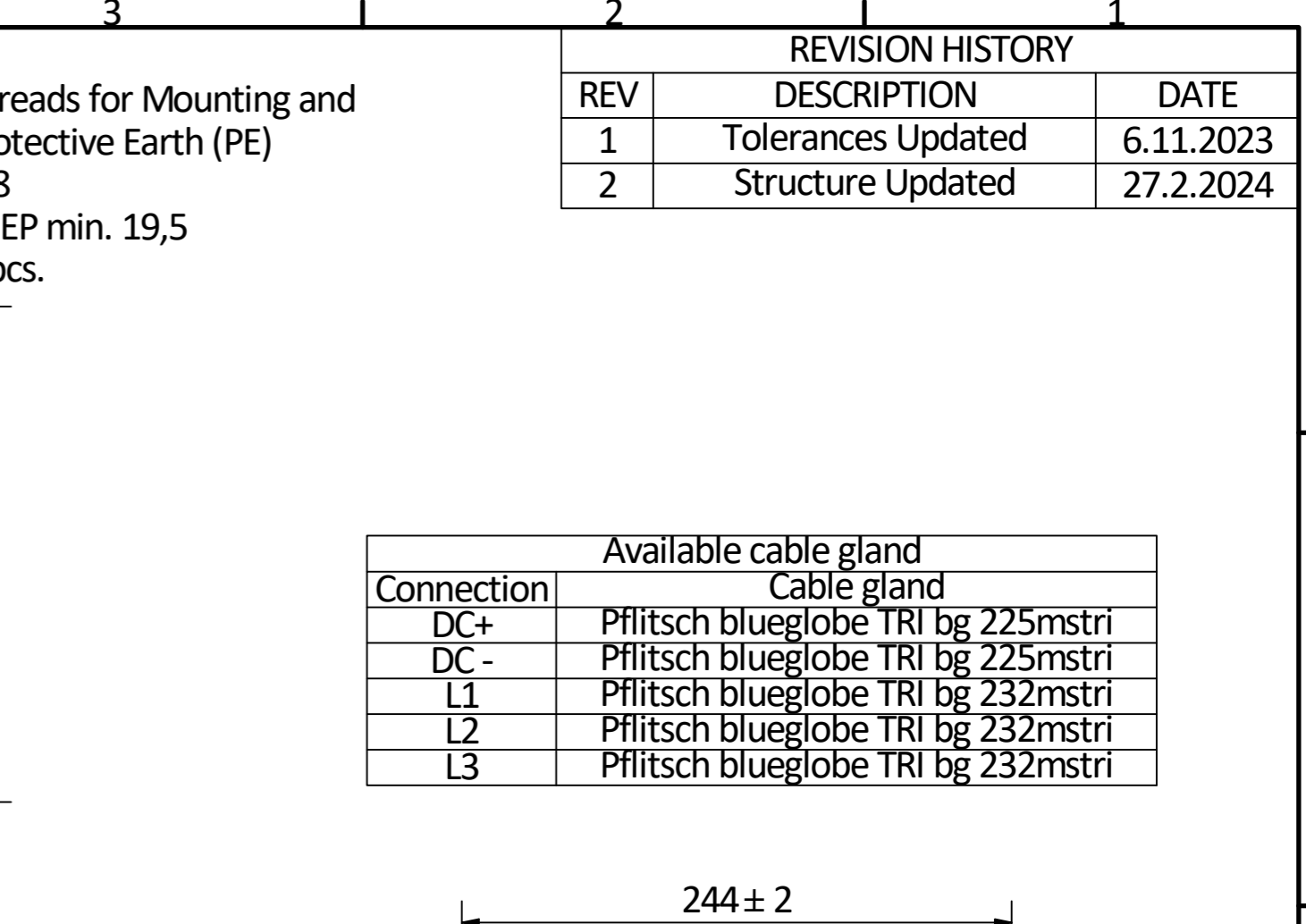
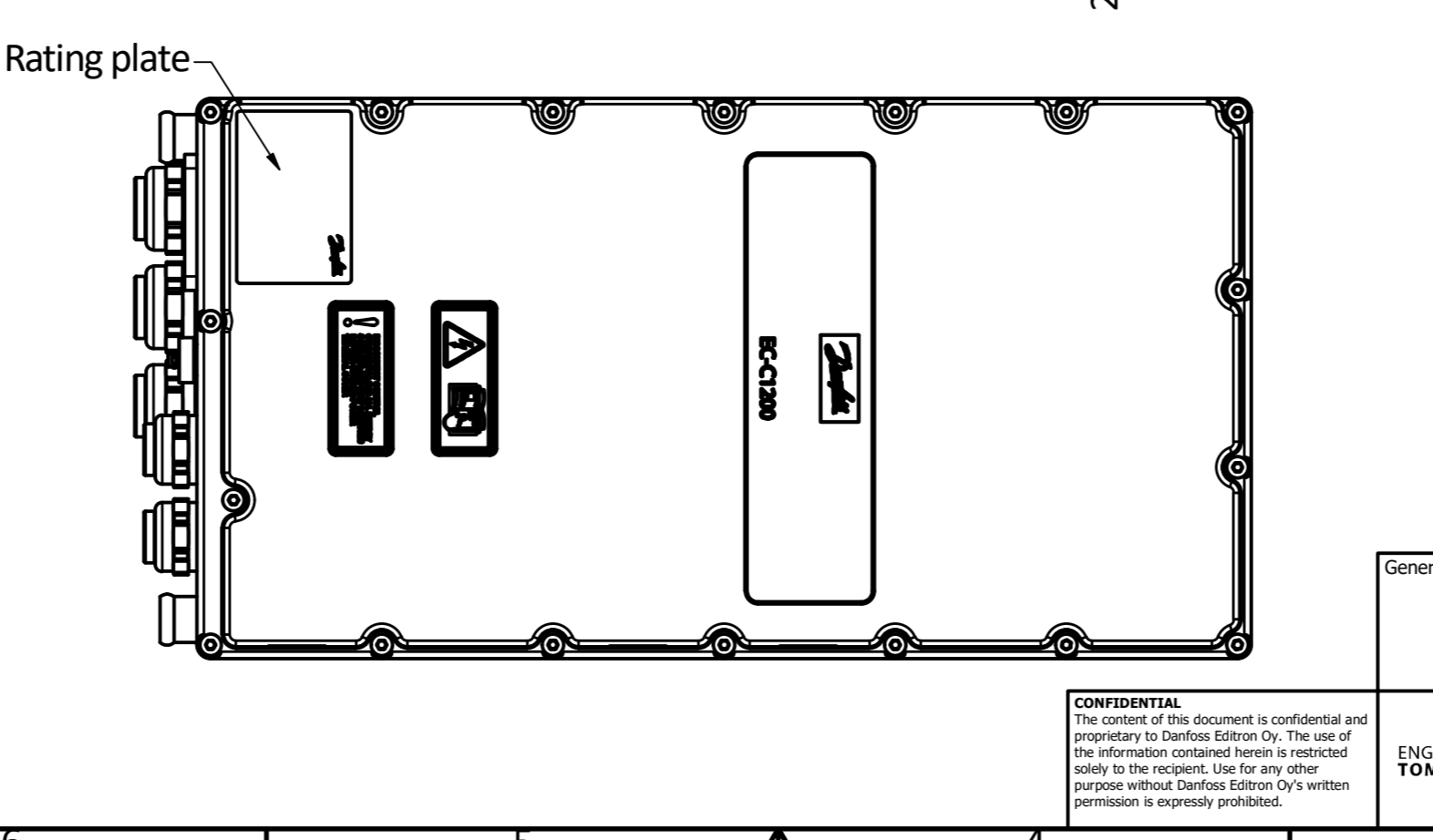
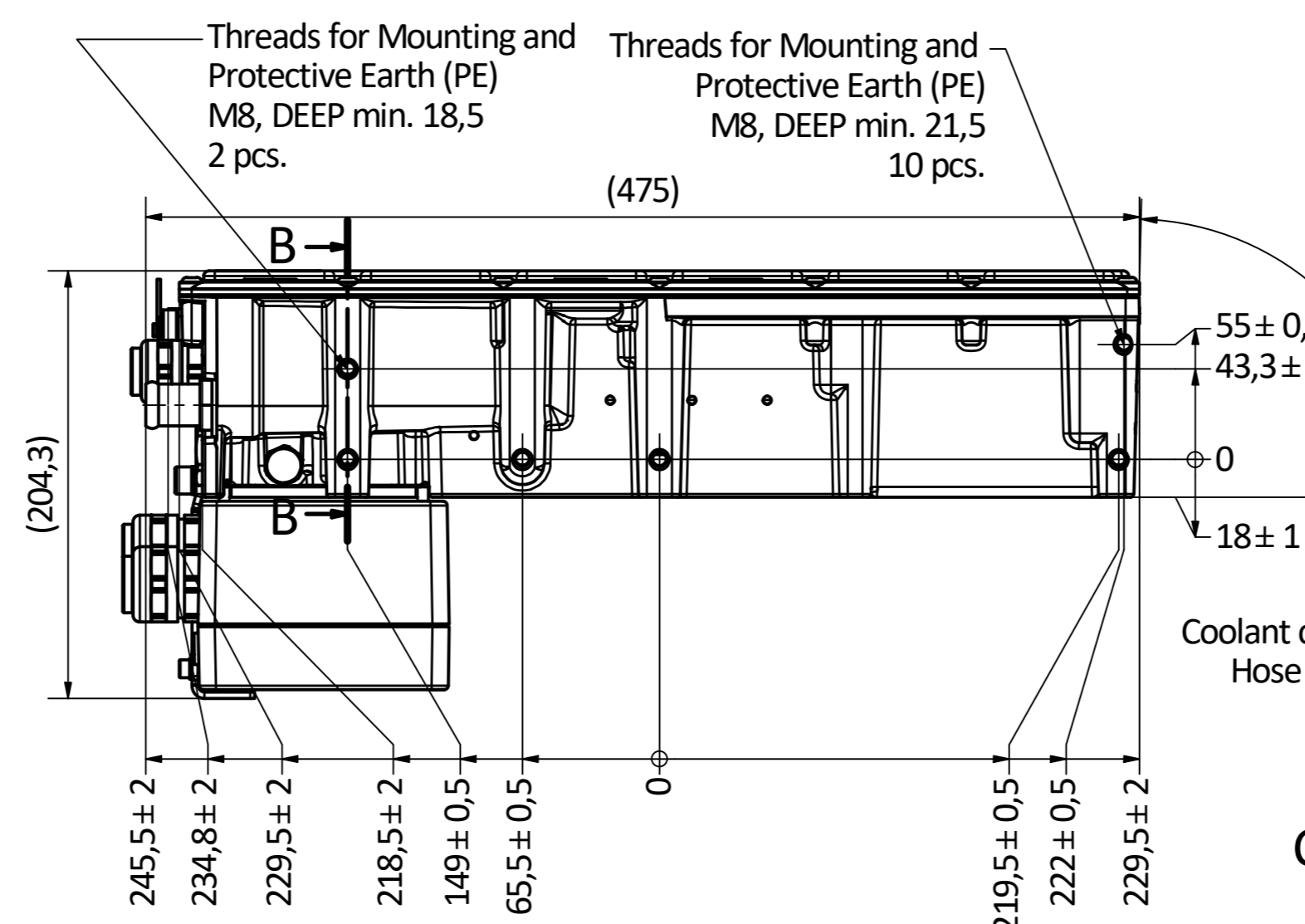
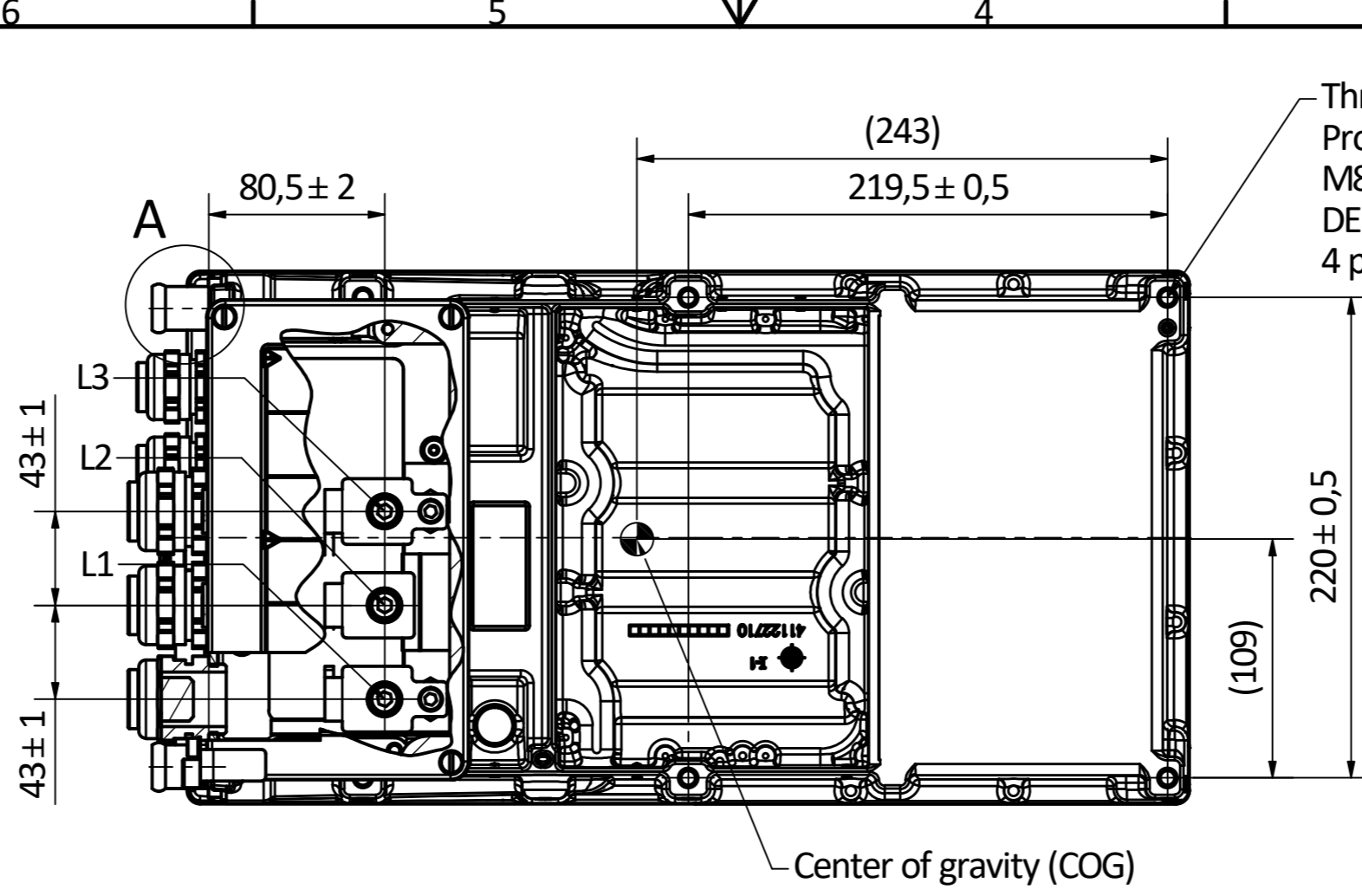
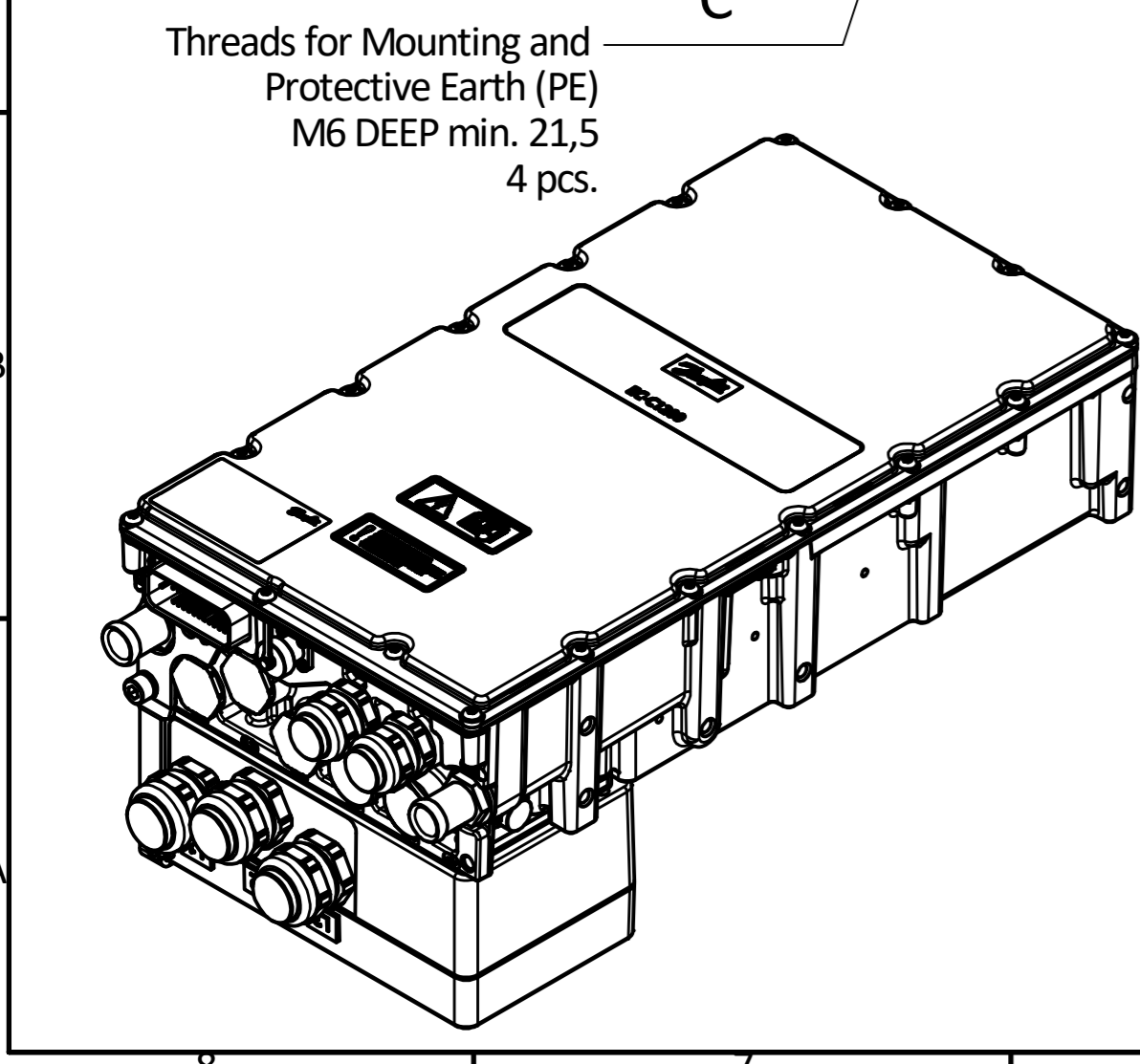
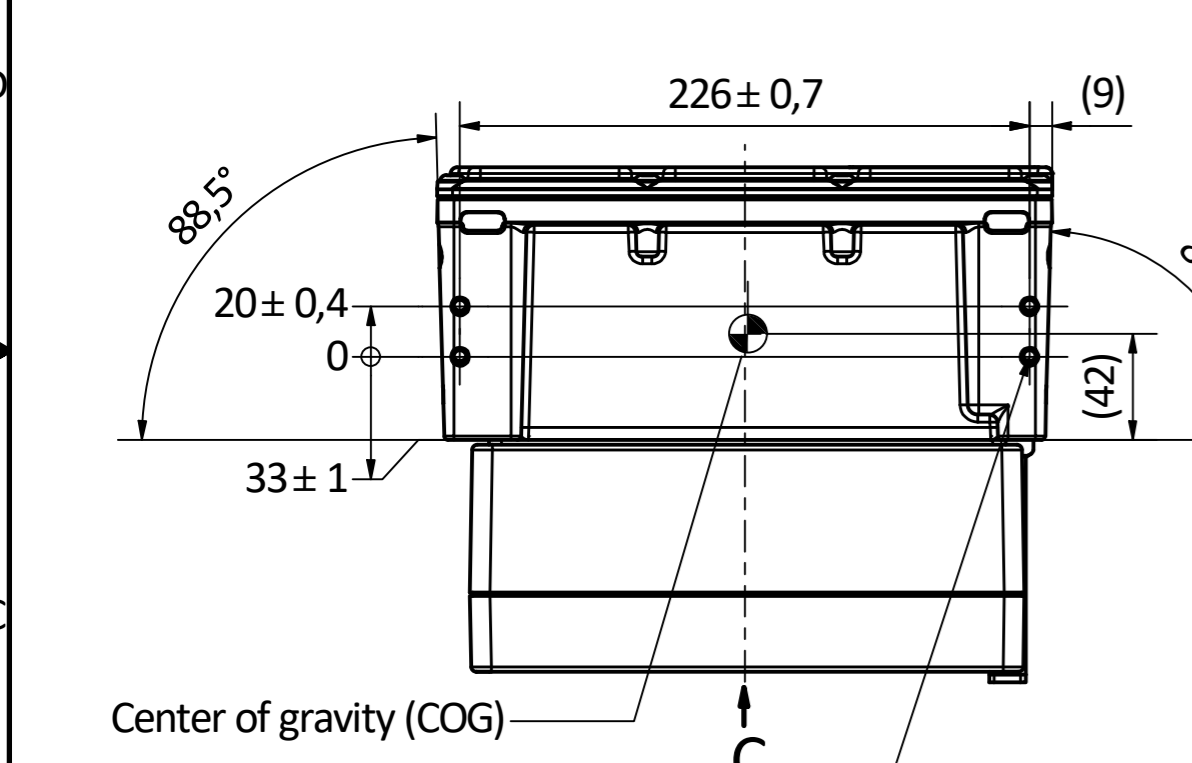
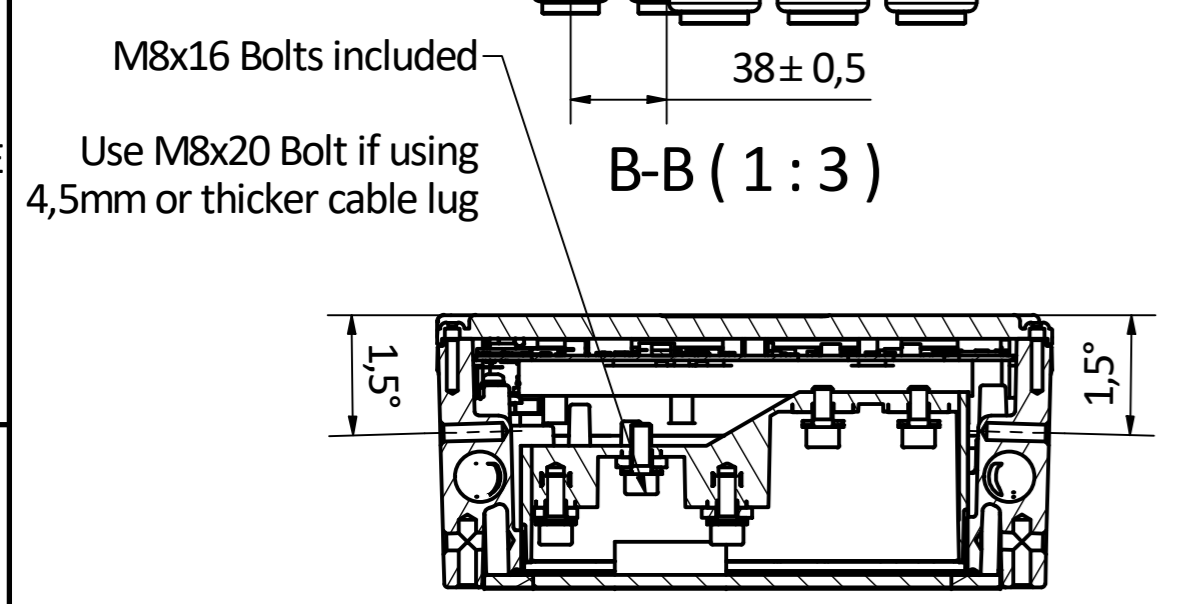
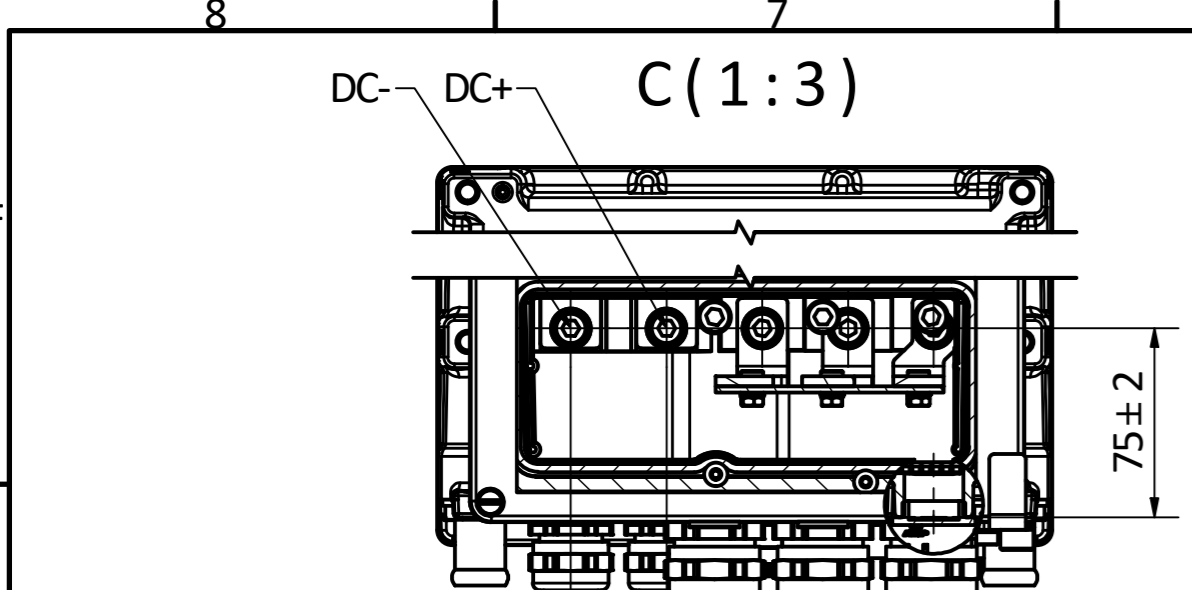


REVISION HISTORY		
REV	DESCRIPTION	DATE
1	Tolerances Updated	6.11.2023
2	Structure Updated	27.2.2024



Connection	Available cable gland Cable gland
DC+	Pflitsch blueglobe TRI bg 225mstri
DC-	Pflitsch blueglobe TRI bg 225mstri
L1	Pflitsch blueglobe TRI bg 232mstri
L2	Pflitsch blueglobe TRI bg 232mstri
L3	Pflitsch blueglobe TRI bg 232mstri

All tap holes are perpendicular to the positioned surface. It means, the lateral M8 and the rear M6 holes are 1,5° inclined

**Materials:**  
Enclosure: AlSi12Cu1(Fe)  
Coolant connections: CuZn39Pb3

General tolerances	Material	Mass (± 2%) 16,8 kg	Name	Date	Scale 1:3
	GENERAL PRODUCT DRAWING		Designed AnSu	9.10.2022	
ENGINEERING TOMORROW	EC-C1200-450+CE2+CG2		SAP ID and Revision 11312464 C	Item 44462	Size A2
			Document 44462	Rev 2	Sheet 1/1

**CONFIDENTIAL**  
The content of this document is confidential and proprietary to Danfoss Edltron Oy. The use of the information contained herein is restricted solely to the recipient. Use for any other purpose without Danfoss Edltron Oy's written permission is expressly prohibited.

