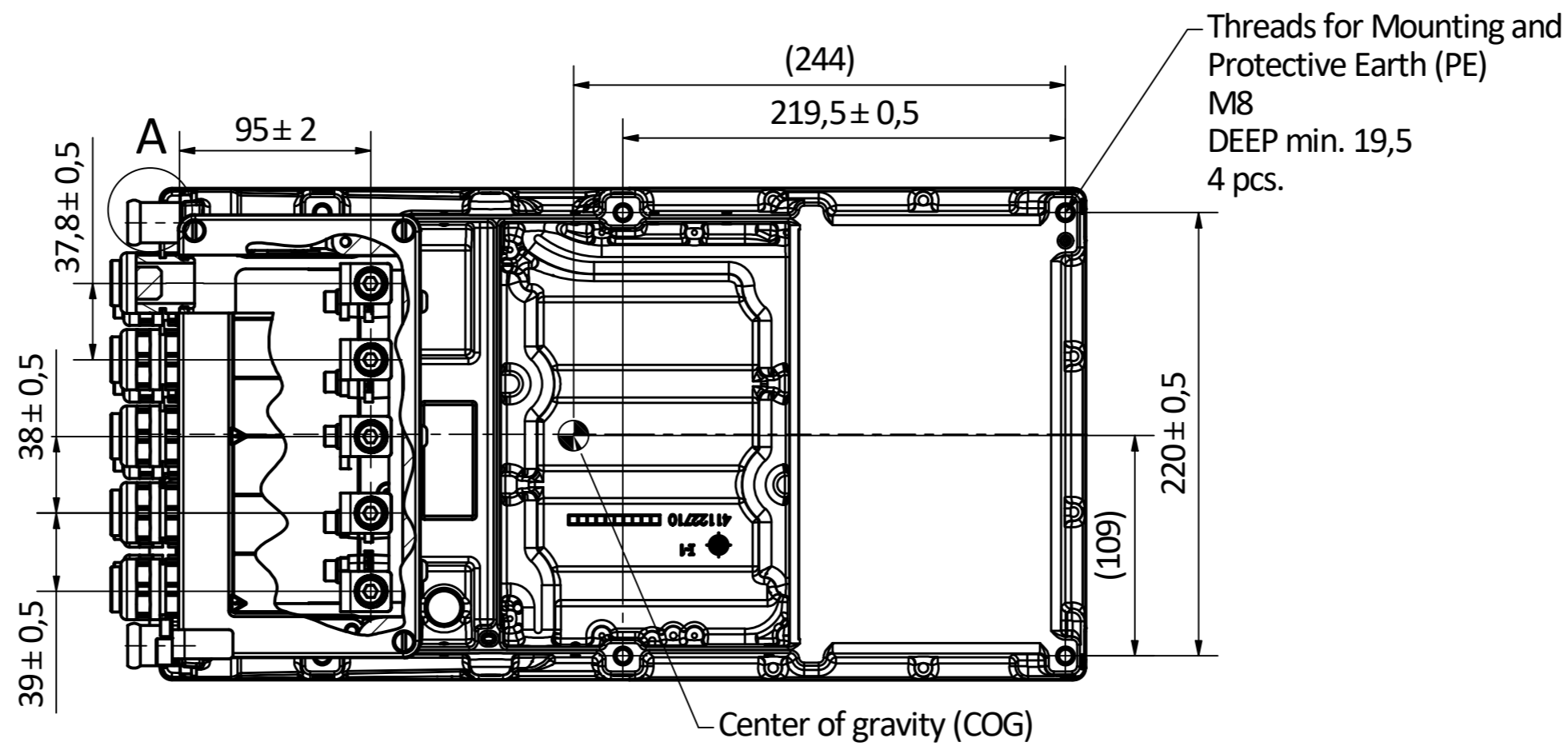
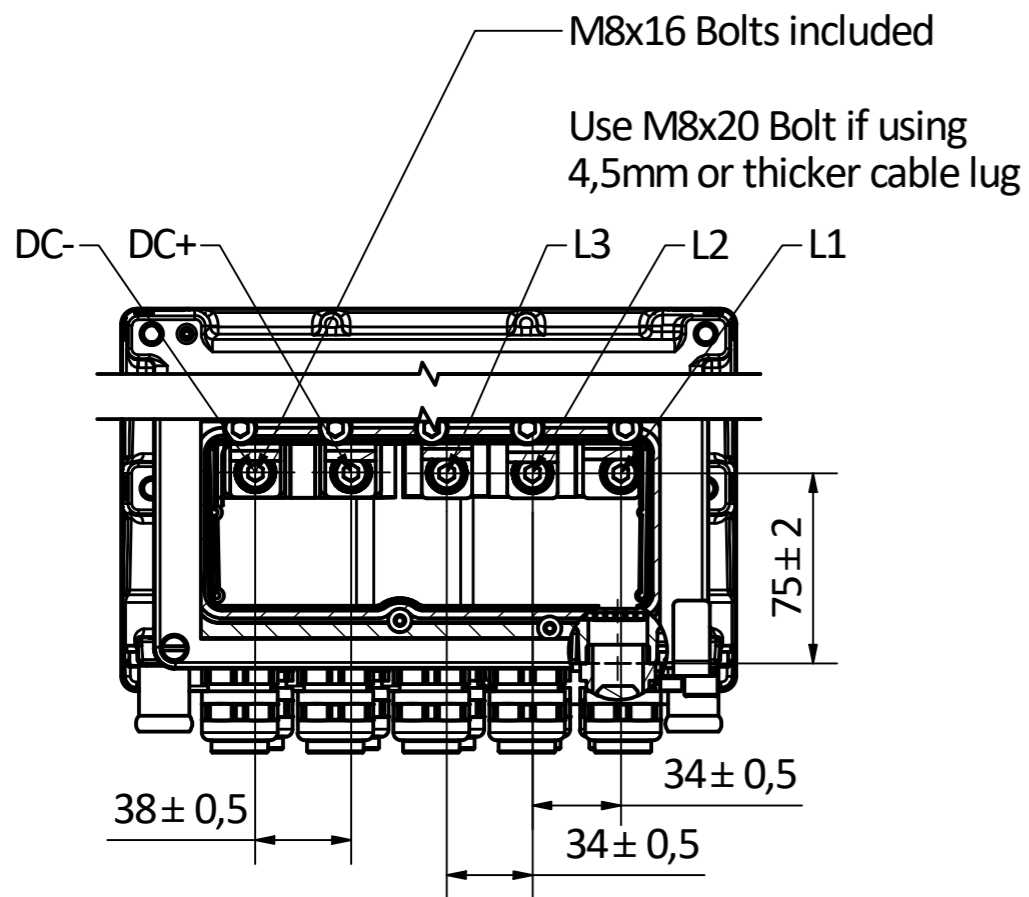
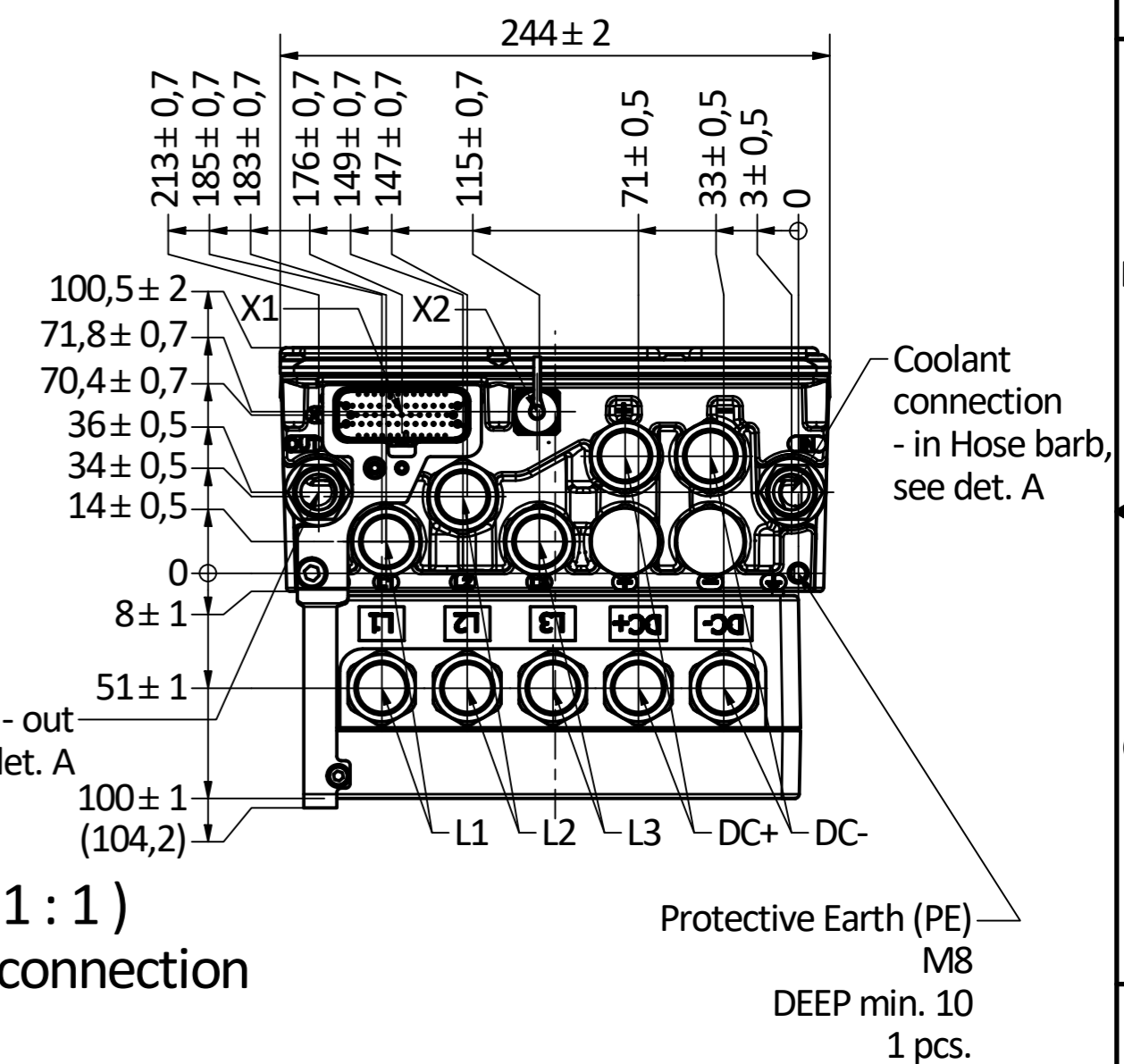
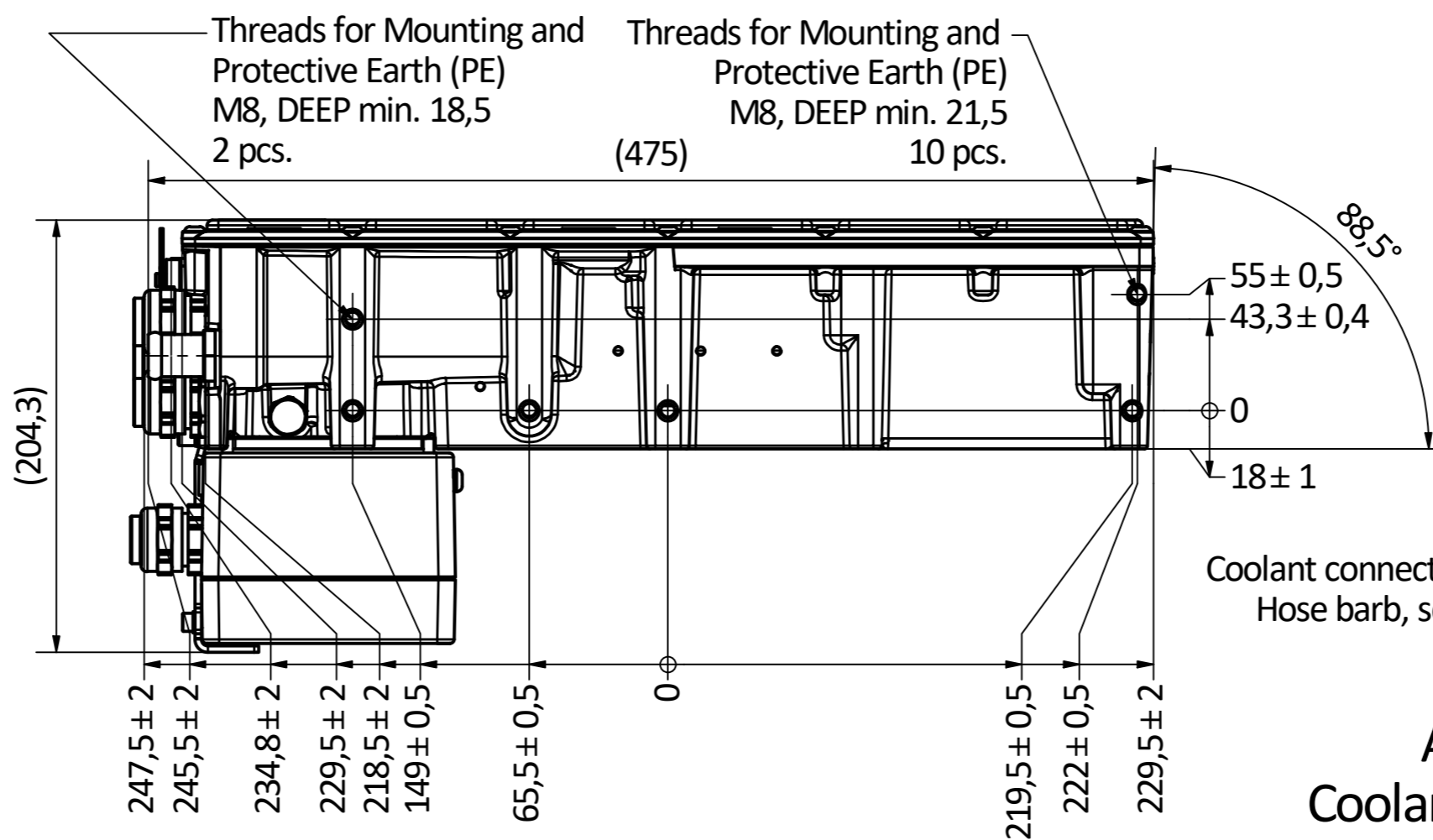
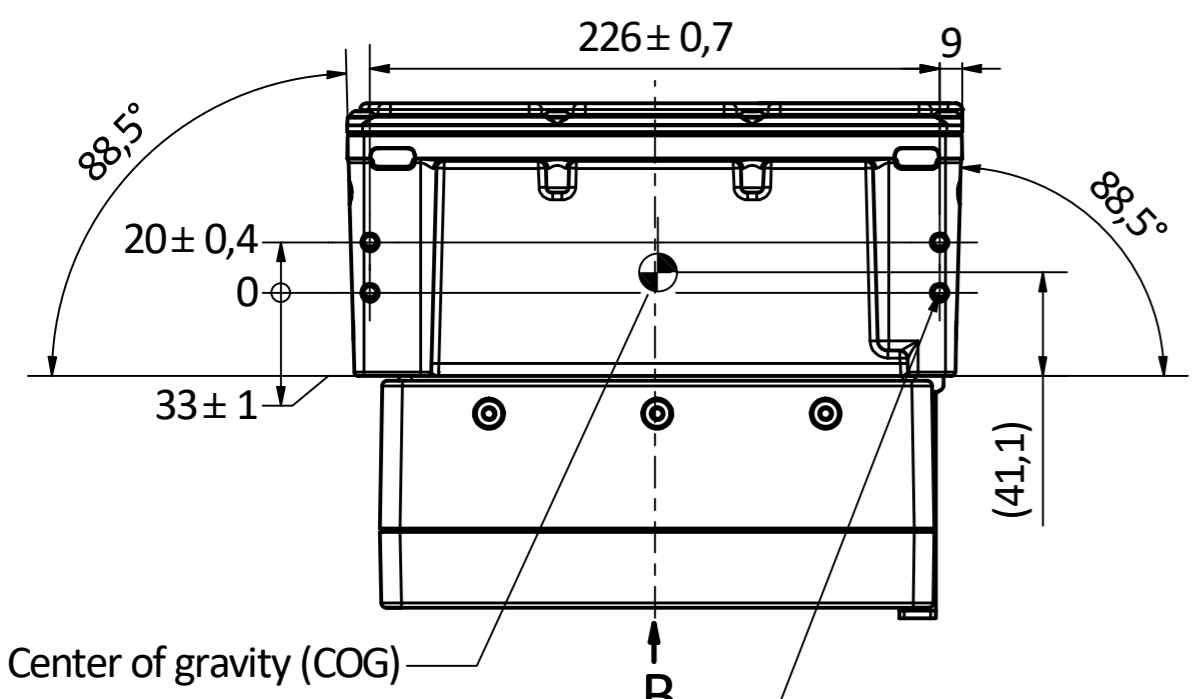


B (1:3) Terminal box

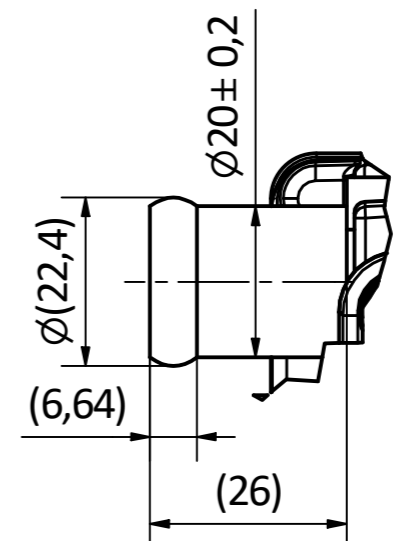
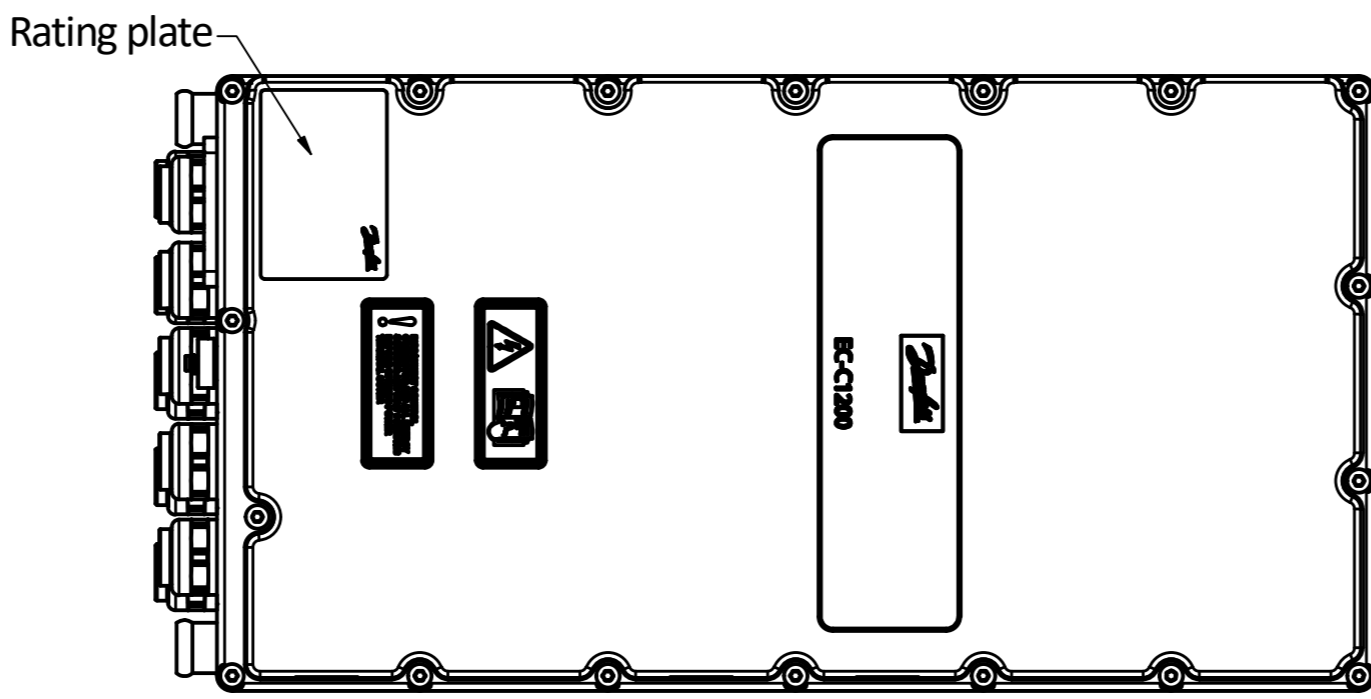
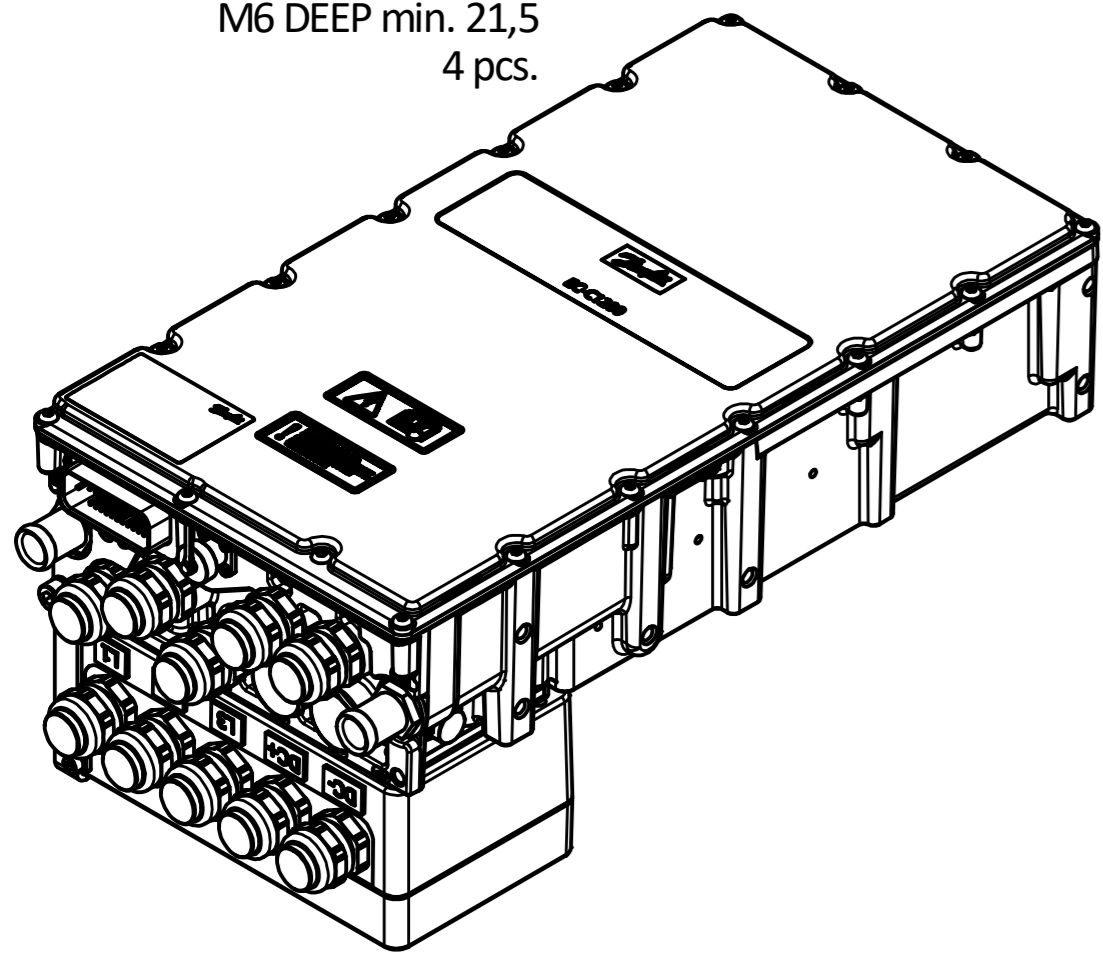


REVISION HISTORY		
REV	DESCRIPTION	DATE
1	Tolerances Updated	6.11.2023
2	Structure Updated	27.2.2024

Power connections	
Connection	Cable gland
DC+	Pflitsch blueglobe TRI bg 225mstri
DC-	Pflitsch blueglobe TRI bg 225mstri
L1	Pflitsch blueglobe TRI bg 225mstri
L2	Pflitsch blueglobe TRI bg 225mstri
L3	Pflitsch blueglobe TRI bg 225mstri



A (1:1) Coolant connection



All tap holes are perpendicular to the positioned surface. It means, the lateral M8 and the rear M6 holes are 1,5° inclined

Materials:
Enclosure: AlSi12Cu1(Fe)
Coolant connections: CuZn39Pb3

CONFIDENTIAL
The content of this document is confidential and proprietary to Danfoss Edltron Oy. The use of the information contained herein is restricted solely to the recipient. Use for any other purpose without Danfoss Edltron Oy's written permission is expressly prohibited.

General tolerances	Material	Mass (± 2%) 16,8 kg	Name AnSu	Date 9.10.2022	Scale 1:3
	GENERAL PRODUCT DRAWING		SAP ID and Revision 11311101 C	Item 44437	
ENGINEERING TOMORROW		EC-C1200-450+CE1+CG3	Document 44437	Rev 2	Sheet 1/1